



**Universidad**  
Zaragoza



Escuela de  
Ingeniería y Arquitectura  
**Universidad** Zaragoza

# Trabajo Fin de Master

Análisis del autoconsumo fotovoltaico  
conectado a red en España

Analysis of grid-connected photovoltaic self-  
consumption in Spain

Autor

Antonio Perlado Vergara

Director

Rodolfo Dufo López

Escuela de ingeniería y arquitectura

2020





# INDICE DE CONTENIDO

|      |                                                                    |    |
|------|--------------------------------------------------------------------|----|
| 1.   | ANEXOS                                                             | 1  |
| 1.1. | EQUIPOS INSTALACIÓN FOTOVOLTAICA                                   | 1  |
| 1.2. | PRESUPUESTO INSTALACIÓN FOTOVOLTAICA AUTOCONSUMO.                  | 3  |
| 1.3. | RESULTADOS ANÁLISIS DE SENSIBILIDAD                                | 4  |
| 1.4. | IRRADIACIÓN PARA ANÁLISIS DE SENSIBILIDAD DE CAMBIO ÁNGULO PANELES | 65 |

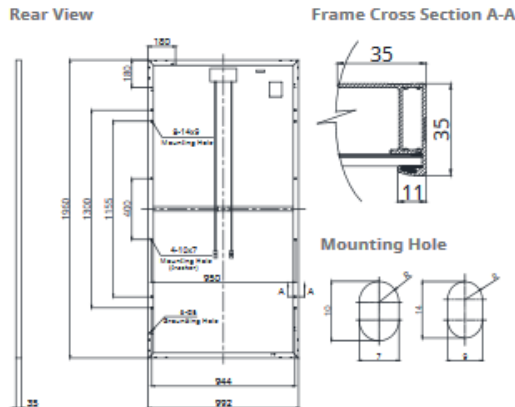


# 1. ANEXOS

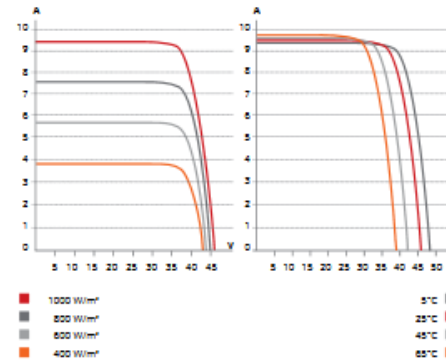
## 1.1. EQUIPOS INSTALACIÓN FOTOVOLTAICA

### Paneles solares Canadian Solar CS6U-325P

#### ENGINEERING DRAWING (mm)



#### CS6U-330P / I-V CURVES



#### ELECTRICAL DATA | STC\*

| CS6U                         | 325P                                    | 330P   | 335P   |
|------------------------------|-----------------------------------------|--------|--------|
| Nominal Max. Power (Pmax)    | 325 W                                   | 330 W  | 335 W  |
| Opt. Operating Voltage (Vmp) | 37.0 V                                  | 37.2 V | 37.4 V |
| Opt. Operating Current (Imp) | 8.78 A                                  | 8.88 A | 8.96 A |
| Open Circuit Voltage (Voc)   | 45.5 V                                  | 45.6 V | 45.8 V |
| Short Circuit Current (Isc)  | 9.34 A                                  | 9.45 A | 9.54 A |
| Module Efficiency            | 16.72%                                  | 16.97% | 17.23% |
| Operating Temperature        | -40°C ~ +85°C                           |        |        |
| Max. System Voltage          | 1000 V (IEC/UL) or 1500 V (IEC/UL)      |        |        |
| Module Fire Performance      | TYPE 1 (UL 1703) or CLASS C (IEC 61730) |        |        |
| Max. Series Fuse Rating      | 15 A                                    |        |        |
| Application Classification   | Class A                                 |        |        |
| Power Tolerance              | 0 ~ + 5 W                               |        |        |

\* Under Standard Test Conditions (STC) of irradiance of 1000 W/m<sup>2</sup>, spectrum AM 1.5 and cell temperature of 25°C.

#### ELECTRICAL DATA | NMOT\*

| CS6U                         | 325P   | 330P   | 335P   |
|------------------------------|--------|--------|--------|
| Nominal Max. Power (Pmax)    | 239 W  | 243 W  | 247 W  |
| Opt. Operating Voltage (Vmp) | 34.0 V | 34.2 V | 34.4 V |
| Opt. Operating Current (Imp) | 7.03 A | 7.10 A | 7.17 A |
| Open Circuit Voltage (Voc)   | 42.4 V | 42.5 V | 42.6 V |
| Short Circuit Current (Isc)  | 7.54 A | 7.63 A | 7.70 A |

\* Under Nominal Module Operating Temperature (NMOT), irradiance of 800 W/m<sup>2</sup>, spectrum AM 1.5, ambient temperature 20°C, wind speed 1 m/s.

#### PERFORMANCE AT LOW IRRADIANCE

Outstanding performance at low irradiance, with an average relative efficiency of 96.0 % for irradiances between 200 W/m<sup>2</sup> and 1000 W/m<sup>2</sup> (AM 1.5, 25°C).

\* The specifications and key features contained in this datasheet may deviate slightly from our actual products due to the on-going innovation and product enhancement. Canadian Solar Inc. reserves the right to make necessary adjustment to the information described herein at any time without further notice.

#### CANADIAN SOLAR INC.

545 Speedvale Avenue West, Guelph, Ontario N1K 1E6, Canada, [www.canadiansolar.com](http://www.canadiansolar.com), [support@canadiansolar.com](mailto:support@canadiansolar.com)

#### MECHANICAL DATA

| Specification          | Data                                                         |
|------------------------|--------------------------------------------------------------|
| Cell Type              | Poly-crystalline, 6 inch                                     |
| Cell Arrangement       | 72 (6 x 12)                                                  |
| Dimensions             | 1960 x 992 x 35 mm<br>(77.2 x 39.1 x 1.38 in)                |
| Weight                 | 22.4 kg (49.4 lbs)                                           |
| Front Cover            | 3.2 mm tempered glass                                        |
| Frame Material         | Anodized aluminium alloy                                     |
| J-Box                  | IP68, 3 bypass diodes                                        |
| Cable                  | 4.0 mm <sup>2</sup> (IEC), 12 AWG (UL),<br>1160 mm (45.7 in) |
| Connector              | T4 series                                                    |
| Per Pallet             | 30 pieces                                                    |
| Per Container (40' HQ) | 720 pieces                                                   |

#### TEMPERATURE CHARACTERISTICS

| Specification                               | Data         |
|---------------------------------------------|--------------|
| Temperature Coefficient (Pmax)              | -0.40 % / °C |
| Temperature Coefficient (Voc)               | -0.31 % / °C |
| Temperature Coefficient (Isc)               | 0.05 % / °C  |
| Nominal Module Operating Temperature (NMOT) | 43 ± 3 °C    |

#### PARTNER SECTION





Inversor Solax Inversor Solax X1-3.6T Boost 3680VA

|                                               | X1 MINI                                            |        |        | X1 AIR |         |         | X1 BOOST |         |         |         |         |
|-----------------------------------------------|----------------------------------------------------|--------|--------|--------|---------|---------|----------|---------|---------|---------|---------|
|                                               | X1-0.7                                             | X1-1.1 | X1-1.5 | X1-2.0 | X1-2.5  | X1-3.0  | X1-3.3   | X1-3.0T | X1-3.6T | X1-4.2T | X1-5.0T |
| <b>INPUT (DC)</b>                             |                                                    |        |        |        |         |         |          |         |         |         |         |
| Max. recommended DC power [W]                 | 840                                                | 1250   | 1650   | 2200   | 2700    | 3200    | 3450     | 3250    | 3500    | 4000    | 5200    |
| Max. input DC voltage [V]                     | 400                                                | 400    | 400    | 400    | 600     | 600     | 600      | 600     | 600     | 600     | 600     |
| Max. input current [A]                        | 10                                                 | 10     | 10     | 10     | 10      | 10      | 10       | 12/12   | 12/12   | 12/12   | 12/12   |
| MPPT voltage range [V]                        | 50-380                                             | 55-380 | 55-380 | 55-380 | 100-580 | 100-580 | 100-580  | 125-580 | 125-580 | 125-580 | 125-580 |
| Start output voltage [V]                      | 70                                                 | 70     | 70     | 70     | 120     | 120     | 120      | 150     | 150     | 150     | 150     |
| Number of MPP tracker/strings per MPP tracker | 1/1                                                | 1/1    | 1/1    | 1/1    | 1/1     | 1/1     | 1/1      | 2/1     | 2/1     | 2/1     | 2/1     |
| <b>OUTPUT (AC)</b>                            |                                                    |        |        |        |         |         |          |         |         |         |         |
| AC nominal power [VA]                         | 700                                                | 1100   | 1500   | 2000   | 2500    | 3000    | 3300     | 3000    | 3300    | 3680    | 4600    |
| Max. AC power [VA]                            | 700                                                | 1100   | 1500   | 2000   | 2500    | 3000    | 3300     | 3000    | 3300    | 3680    | 4600    |
| Normal AC voltage range [V]                   | 220/230/240; 180-280                               |        |        |        |         |         |          |         |         |         |         |
| AC grid frequency range [Hz]                  | 50/60; ±5                                          |        |        |        |         |         |          |         |         |         |         |
| Max. AC current [A]                           | 3.5                                                | 5.5    | 7.5    | 9.5    | 12      | 14      | 15       | 14      | 15      | 16      | 21      |
| Power factor (full load)                      | 0.8 leading - 0.8 lagging                          |        |        |        |         |         |          |         |         |         |         |
| Total harmonic distortion (THD) [%]           | <5                                                 |        |        |        |         |         |          |         |         |         |         |
| <b>POWER CONSUMPTION</b>                      |                                                    |        |        |        |         |         |          |         |         |         |         |
| Standby consumption power [W]                 | <5                                                 |        |        |        |         |         |          |         |         |         |         |
| <b>EFFICIENCY</b>                             |                                                    |        |        |        |         |         |          |         |         |         |         |
| MPPT efficiency [%]                           | 99.9                                               |        |        |        |         |         |          |         |         |         |         |
| Euro efficiency [%]                           | 95                                                 | 95.5   | 96     | 96.5   | 96.8    | 97.6    |          | 97.0    | 97.0    | 97.8    |         |
| Max. efficiency [%]                           | 97.1                                               |        |        |        |         |         |          |         |         |         |         |
| <b>SAFETY &amp; PROTECTION</b>                |                                                    |        |        |        |         |         |          |         |         |         |         |
| Over voltage protection                       | YES                                                |        |        |        |         |         |          |         |         |         |         |
| Over current protection                       | YES                                                |        |        |        |         |         |          |         |         |         |         |
| DC isolation impedance monitoring             | YES                                                |        |        |        |         |         |          |         |         |         |         |
| Ground fault current monitoring               | YES                                                |        |        |        |         |         |          |         |         |         |         |
| DC injection monitoring                       | YES                                                |        |        |        |         |         |          |         |         |         |         |
| RCD protection                                | YES                                                |        |        |        |         |         |          |         |         |         |         |
| Safety                                        | EN62109-1/-2                                       |        |        |        |         |         |          |         |         |         |         |
| EMC                                           | EN61000-6-2; EN61000-6-3; EN61000-3-2; EN61000-3-3 |        |        |        |         |         |          |         |         |         |         |
| Certification                                 | EN61000-6-2; EN61000-6-3; EN61000-3-2; EN61000-3-3 |        |        |        |         |         |          |         |         |         |         |
| <b>ENVIRONMENTAL LIMITS</b>                   |                                                    |        |        |        |         |         |          |         |         |         |         |
| Protection class                              | IP65                                               |        |        |        |         |         |          |         |         |         |         |
| Operating temperature [°C]                    | -20~ +60 (derating at 45)                          |        |        |        |         |         |          |         |         |         |         |
| Humidity [%]                                  | 0-95 (no condensation)                             |        |        |        |         |         |          |         |         |         |         |
| Altitude [m]                                  | 2000                                               |        |        |        |         |         |          |         |         |         |         |
| Storage temperature [°C]                      | -20~+60                                            |        |        |        |         |         |          |         |         |         |         |
| Noise emission [dB]                           | <25                                                |        |        |        |         |         |          |         |         |         |         |
| <b>DIMENSION &amp; WEIGHT</b>                 |                                                    |        |        |        |         |         |          |         |         |         |         |
| Dimensions (W*H*D) [mm]                       | 248*350*124                                        |        |        |        |         |         |          |         |         |         |         |
| Weight [kg]                                   | 7                                                  |        |        |        |         |         |          |         |         |         |         |
| <b>GENERAL DATA</b>                           |                                                    |        |        |        |         |         |          |         |         |         |         |
| Topology                                      | Transformerless                                    |        |        |        |         |         |          |         |         |         |         |
| Communication interface                       | RS485 / WiFi (optional) / DRM / USB                |        |        |        |         |         |          |         |         |         |         |
| Display                                       | 6 LED                                              |        |        |        |         |         |          |         |         |         |         |
| Standard warranty [years]                     | 5-10                                               |        |        |        |         |         |          |         |         |         |         |
| Cooling type                                  | Natural                                            |        |        |        |         |         |          |         |         |         |         |

\*Can be modified without notice.(V2)



## 1.2. PRESUPUESTO INSTALACIÓN FOTOVOLTAICA AUTOCONSUMO.

PRESUPUESTO

CLIENTE

| AÑO Y SERIE | Nº PRESUPUESTO | FECHA      | CÓD. CLIENTE | PÁGINA |
|-------------|----------------|------------|--------------|--------|
| 2020/03     | 00000104       | 09/07/2020 | -            | 1/1    |

| POS. | DESCRIPCIÓN                                                                                                | UDs. | PRECIO   | DTO. | IMPORTE    |
|------|------------------------------------------------------------------------------------------------------------|------|----------|------|------------|
| 1    | Módulo fotovoltaico 410W, tier 1, monocristalino de alta eficiencia 144 cél.<br>4708YL410D368 YINGLI SOLAR | 8    | 138,50 € |      | 1.108,03 € |
| 2    | Estructura, anclajes, guías y sujeciones coplanares 2 mód.<br>AS01CO02 ALUSIN SOLAR                        | 2    | 84,29 €  |      | 168,58 €   |
| 3    | Inversor híbrido monofásico, salida 3,6kW CA, 2MPPTs<br>3658BET2787 HUAWEI                                 | 1    | 993,96 € |      | 993,96 €   |
| 4    | Smart power meter (analizador/registrador de datos)<br>3658BET3118 HUAWEI                                  | 1    | 129,68 € |      | 129,68 €   |
| 5    | Estructura, anclajes, guías y sujeciones coplanares 1 mód.<br>AS01CO01 ALUSIN SOLAR                        | 1    | 68,38 €  |      | 68,38 €    |
| 6    | Estructura, anclajes, guías y sujeciones coplanares 3 mód.<br>AS01CO03 ALUSIN SOLAR                        | 1    | 108,05 € |      | 108,05 €   |
| 7    | Memoria de diseño, trámites Distribución e Industria (boletín)<br>OT-MT-TA -                               | 1    | 392,00 € |      | 392,00 €   |
| 8    | Protecciones CC/CA sobre cuadro general según ITC-BT-40<br>CPM-CC-01 -                                     | 1    | 77,50 €  |      | 77,50 €    |
| 9    | Pequeño material y costes indirectos<br>PMYA06 -                                                           | 1    | 448,40 € |      | 448,40 €   |
| 10   | Instalación y puesta en marcha<br>INST-08 -                                                                | 1    | 936,32 € |      | 936,32 €   |

| BASE IMPONIBLE | I.V.A. | TOTAL I.V.A. |
|----------------|--------|--------------|
| 4.430,90 €     | 21%    | 930,49 €     |

| TOTAL PRESUPUESTO |
|-------------------|
| 5.361,39 €        |



## 1.3. RESULTADOS ANÁLISIS DE SENSIBILIDAD

### 1. Instalación caso base Zaragoza

| AÑO | INSTALACION AUTOCONSUMO CONECTADA A RED |                  |                |               |                |            | INSTALACION SIN AUTOCONSUMO |               |                |            | COMPARATIVA |            |
|-----|-----------------------------------------|------------------|----------------|---------------|----------------|------------|-----------------------------|---------------|----------------|------------|-------------|------------|
|     | COSTES INSTALACION                      | C, MANTENIMIENTO | COMPRA ENERGIA | VENTA ENERGIA | FLUJOS DE CAJA | VAN        | COMPRA ENERGIA              | VENTA ENERGIA | FLUJOS DE CAJA | VAN        | AHORRO      | BALANCE    |
| 0   | -4.487,9 €                              | 0 €              | 0 €            | 0 €           | -4.487,9 €     | -4.487,9 € | 0 €                         | 0 €           | 0 €            | 0 €        | -4.487,9 €  | -4.487,9 € |
| 1   | 0 €                                     | -54,7 €          | -773,7 €       | 105,8 €       | -722,6 €       | -708,4 €   | -1.130,8 €                  | 0 €           | -1.130,8 €     | -1.108,6 € | 400,2 €     | -4.087,7 € |
| 2   | 0 €                                     | -55,8 €          | -789,2 €       | 107,9 €       | -737,1 €       | -708,4 €   | -1.153,4 €                  | 0 €           | -1.153,4 €     | -1.108,6 € | 400,2 €     | -3.687,5 € |
| 3   | 0 €                                     | -56,9 €          | -805 €         | 110 €         | -751,8 €       | -708,4 €   | -1.176,5 €                  | 0 €           | -1.176,5 €     | -1.108,6 € | 400,2 €     | -3.287 €   |
| 4   | 0 €                                     | -58,0 €          | -821,1 €       | 112,2 €       | -766,8 €       | -708,4 €   | -1.200 €                    | 0 €           | -1.200 €       | -1.108,6 € | 400,2 €     | -2.887,1 € |
| 5   | 0 €                                     | -59,2 €          | -837,5 €       | 114,5 €       | -782,2 €       | -708,4 €   | -1.224 €                    | 0 €           | -1.224 €       | -1.108,6 € | 400,2 €     | -2.486,9 € |
| 6   | 0 €                                     | -60,4 €          | -854,2 €       | 116,8 €       | -797,8 €       | -708,4 €   | -1.248,5 €                  | 0 €           | -1.248,5 €     | -1.108,6 € | 400,2 €     | -2.086,7 € |
| 7   | 0 €                                     | -61,6 €          | -871,3 €       | 119,1 €       | -813,8 €       | -708,4 €   | -1.273,5 €                  | 0 €           | -1.273,5 €     | -1.108,6 € | 400,2 €     | -1.686,5 € |
| 8   | 0 €                                     | -62,8 €          | -888,7 €       | 121,5 €       | -830,1 €       | -708,4 €   | -1.298,9 €                  | 0 €           | -1.298,9 €     | -1.108,6 € | 400,2 €     | -1.286 €   |
| 9   | 0 €                                     | -64,1 €          | -906,5 €       | 123,9 €       | -846,7 €       | -708,4 €   | -1.324,9 €                  | 0 €           | -1.324,9 €     | -1.108,6 € | 400,2 €     | -886,1 €   |
| 10  | -904,5 €                                | -65,3 €          | -924,6 €       | 126,4 €       | -1.768,1 €     | -1.450,4 € | -1.351,4 €                  | 0 €           | -1.351,4 €     | -1.108,6 € | -341,8 €    | -1.227,9 € |
| 11  | 0 €                                     | -66,6 €          | -943,1 €       | 128,9 €       | -880,9 €       | -708,4 €   | -1.378,4 €                  | 0 €           | -1.378,4 €     | -1.108,6 € | 400,2 €     | -827,7 €   |
| 12  | 0 €                                     | -68,0 €          | -962 €         | 131,5 €       | -898,5 €       | -708,4 €   | -1.406 €                    | 0 €           | -1.406 €       | -1.108,6 € | 400,2 €     | -427,5 €   |
| 13  | 0 €                                     | -69,3 €          | -981,2 €       | 134,1 €       | -916,4 €       | -708,4 €   | -1.434,1 €                  | 0 €           | -1.434,1 €     | -1.108,6 € | 400,2 €     | -27,3 €    |
| 14  | 0 €                                     | -70,7 €          | -1.000,9 €     | 136,8 €       | -934,8 €       | -708,4 €   | -1.462,8 €                  | 0 €           | -1.462,8 €     | -1.108,6 € | 400,2 €     | 373 €      |
| 15  | 0 €                                     | -72,1 €          | -1.020,9 €     | 139,5 €       | -953,5 €       | -708,4 €   | -1.492,1 €                  | 0 €           | -1.492,1 €     | -1.108,6 € | 400,2 €     | 773,1 €    |
| 16  | 0 €                                     | -73,6 €          | -1.041,3 €     | 142,3 €       | -972,5 €       | -708,4 €   | -1.521,9 €                  | 0 €           | -1.521,9 €     | -1.108,6 € | 400,2 €     | 1.173,3 €  |
| 17  | 0 €                                     | -75,1 €          | -1.062,1 €     | 145,2 €       | -992,0 €       | -708,4 €   | -1.552,3 €                  | 0 €           | -1.552,3 €     | -1.108,6 € | 400,2 €     | 1.573,5 €  |
| 18  | 0 €                                     | -76,6 €          | -1.083,4 €     | 148,1 €       | -1.011,8 €     | -708,4 €   | -1.583,4 €                  | 0 €           | -1.583,4 €     | -1.108,6 € | 400,2 €     | 1.973,7 €  |
| 19  | 0 €                                     | -78,1 €          | -1.105 €       | 151 €         | -1.032,1 €     | -708,4 €   | -1.615 €                    | 0 €           | -1.615 €       | -1.108,6 € | 400,2 €     | 2.373,9 €  |
| 20  | -1.102,6 €                              | -79,6 €          | -1.127,1 €     | 154,1 €       | -2.155,3 €     | -1.450,4 € | -1.647,3 €                  | 0 €           | -1.647,3 €     | -1.108,6 € | -341,8 €    | 2.032,1 €  |
| 21  | 0 €                                     | -81,2 €          | -1.149,7 €     | 157,1 €       | -1.073,8 €     | -708,4 €   | -1.680,3 €                  | 0 €           | -1.680,3 €     | -1.108,6 € | 400,2 €     | 2.432,3 €  |
| 22  | 0 €                                     | -82,9 €          | -1.172,7 €     | 160,3 €       | -1.095,2 €     | -708,4 €   | -1.713,9 €                  | 0 €           | -1.713,9 €     | -1.108,6 € | 400,2 €     | 2.832,5 €  |
| 23  | 0 €                                     | -84,5 €          | -1.196,1 €     | 163,5 €       | -1.117,1 €     | -708,4 €   | -1.748,2 €                  | 0 €           | -1.748,2 €     | -1.108,6 € | 400,2 €     | 3.232,7 €  |
| 24  | 0 €                                     | -86,2 €          | -1.220 €       | 166,8 €       | -1.139,5 €     | -708,4 €   | -1.783,1 €                  | 0 €           | -1.783,1 €     | -1.108,6 € | 400,2 €     | 3.632,9 €  |
| 25  | 608,7 €                                 | -87,9 €          | -1.244,4 €     | 170,1 €       | -553,6 €       | -337,4 €   | -1.818,8 €                  | 0 €           | -1.818,8 €     | -1.108,6 € | 771,2 €     | 4.404,1 €  |

VAN 23.312 €

PAYBACK 12 años

AHORRO 4.404,1 €

LCOE 0,2 €/kWh

## 2. Instalación caso base Sevilla

| AÑO | INSTALACION AUTOCONSUMO CONECTADA A RED |                  |                |               |                |            | INSTALACION SIN AUTOCONSUMO |               |                |            | COMPARATIVA |            |
|-----|-----------------------------------------|------------------|----------------|---------------|----------------|------------|-----------------------------|---------------|----------------|------------|-------------|------------|
|     | COSTES INSTALACION                      | C. MANTENIMIENTO | COMPRA ENERGIA | VENTA ENERGIA | FLUJOS DE CAJA | VAN        | COMPRA ENERGIA              | VENTA ENERGIA | FLUJOS DE CAJA | VAN        | AHORRO      | BALANCE    |
| 0   | -4.487,9 €                              | 0 €              | 0 €            | 0 €           | -4.487,9 €     | -4.487,9 € | 0 €                         | 0 €           | 0 €            | 0 €        | -4.487,9 €  | -4.487,9 € |
| 1   | 0 €                                     | -54,7 €          | -740,7 €       | 107,8 €       | -687,6 €       | -674,1 €   | -1.130,8 €                  | 0 €           | -1.130,8 €     | -1.108,6 € | 434,5 €     | -4.053,4 € |
| 2   | 0 €                                     | -55,8 €          | -755,5 €       | 109,9 €       | -701,3 €       | -674,1 €   | -1.153,4 €                  | 0 €           | -1.153,4 €     | -1.108,6 € | 434,5 €     | -3.618,9 € |
| 3   | 0 €                                     | -56,9 €          | -770,6 €       | 112,1 €       | -715,3 €       | -674,1 €   | -1.176,5 €                  | 0 €           | -1.176,5 €     | -1.108,6 € | 434,5 €     | -3.184 €   |
| 4   | 0 €                                     | -58,0 €          | -786 €         | 114,4 €       | -729,7 €       | -674,1 €   | -1.200 €                    | 0 €           | -1.200 €       | -1.108,6 € | 434,5 €     | -2.749,9 € |
| 5   | 0 €                                     | -59 €            | -801,7 €       | 116,6 €       | -744,2 €       | -674,1 €   | -1.224 €                    | 0 €           | -1.224 €       | -1.108,6 € | 434,5 €     | -2.315,4 € |
| 6   | 0 €                                     | -60,4 €          | -817,7 €       | 119,0 €       | -759,1 €       | -674,1 €   | -1.248,5 €                  | 0 €           | -1.248,5 €     | -1.108,6 € | 434,5 €     | -1.880,9 € |
| 7   | 0 €                                     | -61,6 €          | -834,1 €       | 121,4 €       | -774,3 €       | -674,1 €   | -1.273,5 €                  | 0 €           | -1.273,5 €     | -1.108,6 € | 434,5 €     | -1.446,4 € |
| 8   | 0 €                                     | -62,8 €          | -850,8 €       | 123,8 €       | -789,8 €       | -674,1 €   | -1.298,9 €                  | 0 €           | -1.298,9 €     | -1.108,6 € | 434,5 €     | -1.012 €   |
| 9   | 0 €                                     | -64,1 €          | -867,8 €       | 126,3 €       | -805,6 €       | -674,1 €   | -1.324,9 €                  | 0 €           | -1.324,9 €     | -1.108,6 € | 434,5 €     | -577,4 €   |
| 10  | -904,5 €                                | -65,3 €          | -885,1 €       | 128,8 €       | -1.726,2 €     | -1.416,1 € | -1.351,4 €                  | 0 €           | -1.351,4 €     | -1.108,6 € | -307,5 €    | -884,9 €   |
| 11  | 0 €                                     | -66,6 €          | -902,9 €       | 131,4 €       | -838,1 €       | -674,1 €   | -1.378,4 €                  | 0 €           | -1.378,4 €     | -1.108,6 € | 434,5 €     | -450,4 €   |
| 12  | 0 €                                     | -68 €            | -920,9 €       | 134 €         | -854,9 €       | -674,1 €   | -1.406 €                    | 0 €           | -1.406 €       | -1.108,6 € | 434,5 €     | -15,9 €    |
| 13  | 0 €                                     | -69,3 €          | -939,3 €       | 136,7 €       | -872 €         | -674,1 €   | -1.434,1 €                  | 0 €           | -1.434,1 €     | -1.108,6 € | 434,5 €     | 418,6 €    |
| 14  | 0 €                                     | -70,7 €          | -958,1 €       | 139,4 €       | -889,4 €       | -674,1 €   | -1.462,8 €                  | 0 €           | -1.462,8 €     | -1.108,6 € | 434,5 €     | 853 €      |
| 15  | 0 €                                     | -72,1 €          | -977,3 €       | 142,2 €       | -907,2 €       | -674,1 €   | -1.492,1 €                  | 0 €           | -1.492,1 €     | -1.108,6 € | 434,5 €     | 1.287,6 €  |
| 16  | 0 €                                     | -73,6 €          | -996,8 €       | 145 €         | -925,4 €       | -674,1 €   | -1.521,9 €                  | 0 €           | -1.521,9 €     | -1.108,6 € | 434,5 €     | 1.722,1 €  |
| 17  | 0 €                                     | -75,1 €          | -1.016,8 €     | 147,9 €       | -943,9 €       | -674,1 €   | -1.552,3 €                  | 0 €           | -1.552,3 €     | -1.108,6 € | 434,5 €     | 2.156,6 €  |
| 18  | 0 €                                     | -76,6 €          | -1.037,1 €     | 150,9 €       | -962,8 €       | -674,1 €   | -1.583,4 €                  | 0 €           | -1.583,4 €     | -1.108,6 € | 434,5 €     | 2.591,1 €  |
| 19  | 0 €                                     | -78,1 €          | -1.057,8 €     | 153,9 €       | -982 €         | -674,1 €   | -1.615 €                    | 0 €           | -1.615 €       | -1.108,6 € | 434,5 €     | 3.025,6 €  |
| 20  | -1.102,6 €                              | -79,6 €          | -1.079 €       | 157 €         | -2.104,2 €     | -1.416,1 € | -1.647,3 €                  | 0 €           | -1.647,3 €     | -1.108,6 € | -307,5 €    | 2.718,1 €  |
| 21  | 0 €                                     | -81,2 €          | -1.100,6 €     | 160,1 €       | -1.021,7 €     | -674,1 €   | -1.680,3 €                  | 0 €           | -1.680,3 €     | -1.108,6 € | 434,5 €     | 3.152,6 €  |
| 22  | 0 €                                     | -82,9 €          | -1.122,6 €     | 163,3 €       | -1.042,1 €     | -674,1 €   | -1.713,9 €                  | 0 €           | -1.713,9 €     | -1.108,6 € | 434,5 €     | 3.587,1 €  |
| 23  | 0 €                                     | -84,5 €          | -1.145 €       | 166,6 €       | -1.063 €       | -674,1 €   | -1.748,2 €                  | 0 €           | -1.748,2 €     | -1.108,6 € | 434,5 €     | 4.021,6 €  |
| 24  | 0 €                                     | -86,2 €          | -1.167,9 €     | 169,9 €       | -1.084,2 €     | -674,1 €   | -1.783,1 €                  | 0 €           | -1.783,1 €     | -1.108,6 € | 434,5 €     | 4.456,1 €  |
| 25  | 608,7 €                                 | -87,9 €          | -1.191,3 €     | 173,3 €       | -497,2 €       | -303,1 €   | -1.818,8 €                  | 0 €           | -1.818,8 €     | -1.108,6 € | 805,5 €     | 5.261,6 €  |

VAN 22.453,1 €

PAYBACK 12 años

AHORRO 5.261,6 €

LCOE 0,19 €/kWh

### 3. Instalación caso base Bilbao

| AÑO | INSTALACION AUTOCONSUMO CONECTADA A RED |                  |                |               |                |            | INSTALACION SIN AUTOCONSUMO |          |                |            | COMPARATIVA |            |
|-----|-----------------------------------------|------------------|----------------|---------------|----------------|------------|-----------------------------|----------|----------------|------------|-------------|------------|
|     | COSTES INSTALACION                      | C, MANTENIMIENTO | COMPRA ENERGIA | VENTA ENERGIA | FLUJOS DE CAJA | VAN        | COMPRA ENERGIA              | NTA ENER | FLUJOS DE CAJA | VAN        | AHORRO      | BALANCE    |
| 0   | -5.426,3 €                              | 0 €              | 0 €            | 0 €           | -5.426,3 €     | -5.426,3 € | 0 €                         | 0 €      | 0 €            | 0 €        | -5.426,3 €  | -5.426,3 € |
| 1   | 0 €                                     | -61,6 €          | -782,3 €       | 121,1 €       | -722,8 €       | -708,6 €   | -1.130,8 €                  | 0 €      | -1.130,8 €     | -1.108,6 € | 400,0 €     | -5.026,3 € |
| 2   | 0 €                                     | -62,8 €          | -797,9 €       | 123,5 €       | -737,2 €       | -708,6 €   | -1.153,4 €                  | 0 €      | -1.153,4 €     | -1.108,6 € | 400,0 €     | -4.626,3 € |
| 3   | 0 €                                     | -64,1 €          | -813,9 €       | 126 €         | -752 €         | -708,6 €   | -1.176,5 €                  | 0 €      | -1.176,5 €     | -1.108,6 € | 400,0 €     | -4.226 €   |
| 4   | 0 €                                     | -65,4 €          | -830,1 €       | 128,5 €       | -767 €         | -708,6 €   | -1.200 €                    | 0 €      | -1.200 €       | -1.108,6 € | 400,0 €     | -3.826,3 € |
| 5   | 0 €                                     | -66,7 €          | -846,7 €       | 131,1 €       | -782,3 €       | -708,6 €   | -1.224 €                    | 0 €      | -1.224 €       | -1.108,6 € | 400,0 €     | -3.426,3 € |
| 6   | 0 €                                     | -68 €            | -863,7 €       | 133,7 €       | -798 €         | -708,6 €   | -1.248,5 €                  | 0 €      | -1.248,5 €     | -1.108,6 € | 400,0 €     | -3.026,3 € |
| 7   | 0 €                                     | -69,4 €          | -881 €         | 136,4 €       | -813,9 €       | -708,6 €   | -1.273,5 €                  | 0 €      | -1.273,5 €     | -1.108,6 € | 400,0 €     | -2.626,3 € |
| 8   | 0 €                                     | -70,8 €          | -898,6 €       | 139,1 €       | -830,2 €       | -708,6 €   | -1.298,9 €                  | 0 €      | -1.298,9 €     | -1.108,6 € | 400,0 €     | -2.226 €   |
| 9   | 0 €                                     | -72,2 €          | -916,5 €       | 141,9 €       | -846,8 €       | -708,6 €   | -1.324,9 €                  | 0 €      | -1.324,9 €     | -1.108,6 € | 400,0 €     | -1.826,3 € |
| 10  | -904,5 €                                | -73,6 €          | -934,9 €       | 144,7 €       | -1.768,3 €     | -1.450,6 € | -1.351,4 €                  | 0 €      | -1.351,4 €     | -1.108,6 € | 342,0 €     | -2.168,3 € |
| 11  | 0 €                                     | -75,1 €          | -953,6 €       | 147,6 €       | -881 €         | -708,6 €   | -1.378,4 €                  | 0 €      | -1.378,4 €     | -1.108,6 € | 400,0 €     | -1.768,3 € |
| 12  | 0 €                                     | -76,6 €          | -972,6 €       | 150,6 €       | -898,7 €       | -708,6 €   | -1.406 €                    | 0 €      | -1.406 €       | -1.108,6 € | 400,0 €     | -1.368,3 € |
| 13  | 0 €                                     | -78,1 €          | -992,1 €       | 153,6 €       | -916,6 €       | -708,6 €   | -1.434,1 €                  | 0 €      | -1.434,1 €     | -1.108,6 € | 400,0 €     | -968,3 €   |
| 14  | 0 €                                     | -79,7 €          | -1.011,9 €     | 156,7 €       | -935 €         | -708,6 €   | -1.462,8 €                  | 0 €      | -1.462,8 €     | -1.108,6 € | 400,0 €     | -568 €     |
| 15  | 0 €                                     | -81,3 €          | -1.032,2 €     | 159,8 €       | -953,7 €       | -708,6 €   | -1.492,1 €                  | 0 €      | -1.492,1 €     | -1.108,6 € | 400,0 €     | -168,3 €   |
| 16  | 0 €                                     | -82,9 €          | -1.052,8 €     | 163 €         | -972,7 €       | -708,6 €   | -1.521,9 €                  | 0 €      | -1.521,9 €     | -1.108,6 € | 400,0 €     | 231,7 €    |
| 17  | 0 €                                     | -84,6 €          | -1.073,9 €     | 166,3 €       | -992,2 €       | -708,6 €   | -1.552,3 €                  | 0 €      | -1.552,3 €     | -1.108,6 € | 400,0 €     | 631,7 €    |
| 18  | 0 €                                     | -86,3 €          | -1.095,4 €     | 169,6 €       | -1.012 €       | -708,6 €   | -1.583,4 €                  | 0 €      | -1.583,4 €     | -1.108,6 € | 400,0 €     | 1.031,7 €  |
| 19  | 0 €                                     | -88 €            | -1.117,3 €     | 173 €         | -1.032,3 €     | -708,6 €   | -1.615 €                    | 0 €      | -1.615 €       | -1.108,6 € | 400,0 €     | 1.431,7 €  |
| 20  | -1.102,6 €                              | -89,8 €          | -1.139,6 €     | 176,4 €       | -2.155,5 €     | -1.450,6 € | -1.647,3 €                  | 0 €      | -1.647,3 €     | -1.108,6 € | -342,0 €    | 1.089,7 €  |
| 21  | 0 €                                     | -91,5 €          | -1.162,4 €     | 180 €         | -1.074 €       | -708,6 €   | -1.680,3 €                  | 0 €      | -1.680,3 €     | -1.108,6 € | 400,0 €     | 1.489,7 €  |
| 22  | 0 €                                     | -93,4 €          | -1.185,6 €     | 183,6 €       | -1.095,5 €     | -708,6 €   | -1.713,9 €                  | 0 €      | -1.713,9 €     | -1.108,6 € | 400,0 €     | 1.889,7 €  |
| 23  | 0 €                                     | -95,2 €          | -1.209,4 €     | 187,2 €       | -1.117,4 €     | -708,6 €   | -1.748,2 €                  | 0 €      | -1.748,2 €     | -1.108,6 € | 400,0 €     | 2.289,7 €  |
| 24  | 0 €                                     | -97,1 €          | -1.233,5 €     | 191 €         | -1.139,7 €     | -708,6 €   | -1.783,1 €                  | 0 €      | -1.783,1 €     | -1.108,6 € | 400,0 €     | 2.689,7 €  |
| 25  | 608,7 €                                 | -99,1 €          | -1.258,2 €     | 194,8 €       | -553,8 €       | -337,6 €   | -1.818,8 €                  | 0 €      | -1.818,8 €     | -1.108,6 € | 771,0 €     | 3.460,7 €  |

VAN 24.253,9 €

PAYBACK 15 años

AHORRO 3.460,7 €

LCOE 0,21 €/kWh

#### 4. Instalación Net Metering Zaragoza

| AÑO | INSTALACION AUTOCONSUMO CONECTADA A RED |                  |                |               |                |            | INSTALACION SIN AUTOCONSUMO |               |                |            | COMPARATIVA |            |
|-----|-----------------------------------------|------------------|----------------|---------------|----------------|------------|-----------------------------|---------------|----------------|------------|-------------|------------|
|     | COSTES INSTALACION                      | C. MANTENIMIENTO | COMPRA ENERGIA | VENTA ENERGIA | FLUJOS DE CAJA | VAN        | COMPRA ENERGIA              | VENTA ENERGIA | FLUJOS DE CAJA | VAN        | AHORRO      | BALANCE    |
| 0   | -4.487,9 €                              | 0 €              | 0 €            | 0 €           | -4.487,9 €     | -4.487,9 € | 0 €                         | 0 €           | 0 €            | 0 €        | -4.487,9 €  | -4.487,9 € |
| 1   | 0 €                                     | -54,7 €          | -765,6 €       | 362,4 €       | -457,8 €       | -448,9 €   | -1.130,8 €                  | 0 €           | -1.130,8 €     | -1.108,6 € | 659,7 €     | -3.828,2 € |
| 2   | 0 €                                     | -55,8 €          | -780,9 €       | 369,7 €       | -467 €         | -448,9 €   | -1.153,4 €                  | 0 €           | -1.153,4 €     | -1.108,6 € | 659,7 €     | -3.168,5 € |
| 3   | 0 €                                     | -56,9 €          | -796,5 €       | 377,1 €       | -476,3 €       | -448,9 €   | -1.176,5 €                  | 0 €           | -1.176,5 €     | -1.108,6 € | 659,7 €     | -2.509 €   |
| 4   | 0 €                                     | -58,0 €          | -812,5 €       | 384,6 €       | -485,9 €       | -448,9 €   | -1.200 €                    | 0 €           | -1.200 €       | -1.108,6 € | 659,7 €     | -1.849,1 € |
| 5   | 0 €                                     | -59,2 €          | -828,7 €       | 392,3 €       | -495,6 €       | -448,9 €   | -1.224 €                    | 0 €           | -1.224 €       | -1.108,6 € | 659,7 €     | -1.189,4 € |
| 6   | 0 €                                     | -60,4 €          | -845,3 €       | 400,2 €       | -505,5 €       | -448,9 €   | -1.248,5 €                  | 0 €           | -1.248,5 €     | -1.108,6 € | 659,7 €     | -529,7 €   |
| 7   | 0 €                                     | -61,6 €          | -862,2 €       | 408,2 €       | -515,6 €       | -448,9 €   | -1.273,5 €                  | 0 €           | -1.273,5 €     | -1.108,6 € | 659,7 €     | 130,0 €    |
| 8   | 0 €                                     | -62,8 €          | -879,5 €       | 416,3 €       | -525,9 €       | -448,9 €   | -1.298,9 €                  | 0 €           | -1.298,9 €     | -1.108,6 € | 659,7 €     | 790 €      |
| 9   | 0 €                                     | -64,1 €          | -897 €         | 424,7 €       | -536,4 €       | -448,9 €   | -1.324,9 €                  | 0 €           | -1.324,9 €     | -1.108,6 € | 659,7 €     | 1.449,4 €  |
| 10  | -904,5 €                                | -65,3 €          | -915 €         | 433,2 €       | -1.451,7 €     | -1.190,9 € | -1.351,4 €                  | 0 €           | -1.351,4 €     | -1.108,6 € | -82,3 €     | 1.367,1 €  |
| 11  | 0 €                                     | -66,6 €          | -933,3 €       | 441,8 €       | -558,1 €       | -448,9 €   | -1.378,4 €                  | 0 €           | -1.378,4 €     | -1.108,6 € | 659,7 €     | 2.026,8 €  |
| 12  | 0 €                                     | -68,0 €          | -952 €         | 450,6 €       | -569,3 €       | -448,9 €   | -1.406 €                    | 0 €           | -1.406 €       | -1.108,6 € | 659,7 €     | 2.686,5 €  |
| 13  | 0 €                                     | -69,3 €          | -971 €         | 459,7 €       | -580,7 €       | -448,9 €   | -1.434,1 €                  | 0 €           | -1.434,1 €     | -1.108,6 € | 659,7 €     | 3.346,2 €  |
| 14  | 0 €                                     | -70,7 €          | -990,4 €       | 468,9 €       | -592,3 €       | -448,9 €   | -1.462,8 €                  | 0 €           | -1.462,8 €     | -1.108,6 € | 659,7 €     | 4.006 €    |
| 15  | 0 €                                     | -72,1 €          | -1.010,2 €     | 478,2 €       | -604,1 €       | -448,9 €   | -1.492,1 €                  | 0 €           | -1.492,1 €     | -1.108,6 € | 659,7 €     | 4.665,6 €  |
| 16  | 0 €                                     | -73,6 €          | -1.030,4 €     | 487,8 €       | -616,2 €       | -448,9 €   | -1.521,9 €                  | 0 €           | -1.521,9 €     | -1.108,6 € | 659,7 €     | 5.325,3 €  |
| 17  | 0 €                                     | -75,1 €          | -1.051 €       | 497,6 €       | -628,5 €       | -448,9 €   | -1.552,3 €                  | 0 €           | -1.552,3 €     | -1.108,6 € | 659,7 €     | 5.985,0 €  |
| 18  | 0 €                                     | -76,6 €          | -1.072,1 €     | 507,5 €       | -641,1 €       | -448,9 €   | -1.583,4 €                  | 0 €           | -1.583,4 €     | -1.108,6 € | 659,7 €     | 6.644,7 €  |
| 19  | 0 €                                     | -78,1 €          | -1.093,5 €     | 517,7 €       | -653,9 €       | -448,9 €   | -1.615 €                    | 0 €           | -1.615 €       | -1.108,6 € | 659,7 €     | 7.304,4 €  |
| 20  | -1.102,6 €                              | -79,6 €          | -1.115,4 €     | 528 €         | -1.769,6 €     | -1.190,9 € | -1.647,3 €                  | 0 €           | -1.647,3 €     | -1.108,6 € | -82,3 €     | 7.222,1 €  |
| 21  | 0 €                                     | -81,2 €          | -1.137,7 €     | 538,6 €       | -680,3 €       | -448,9 €   | -1.680,3 €                  | 0 €           | -1.680,3 €     | -1.108,6 € | 659,7 €     | 7.881,8 €  |
| 22  | 0 €                                     | -82,9 €          | -1.160,4 €     | 549,3 €       | -693,9 €       | -448,9 €   | -1.713,9 €                  | 0 €           | -1.713,9 €     | -1.108,6 € | 659,7 €     | 8.541,5 €  |
| 23  | 0 €                                     | -84,5 €          | -1.183,6 €     | 560,3 €       | -707,8 €       | -448,9 €   | -1.748,2 €                  | 0 €           | -1.748,2 €     | -1.108,6 € | 659,7 €     | 9.201,2 €  |
| 24  | 0 €                                     | -86,2 €          | -1.207,3 €     | 571,5 €       | -722 €         | -448,9 €   | -1.783,1 €                  | 0 €           | -1.783,1 €     | -1.108,6 € | 659,7 €     | 9.860,9 €  |
| 25  | 608,7 €                                 | -87,9 €          | -1.231,4 €     | 583 €         | -127,8 €       | -77,9 €    | -1.818,8 €                  | 0 €           | -1.818,8 €     | -1.108,6 € | 1.030,7 €   | 10.891,6 € |

VAN 16.822,7 €

PAYBACK 6 años

AHORRO 10.891,6 €

LCOE 0,14 €/kWh

### 5. Instalación No inyección Zaragoza

| AÑO | INSTALACION AUTOCONSUMO CONECTADA A RED |                  |                |               |                |            | INSTALACION SIN AUTOCONSUMO |               |                |            | COMPARATIVA |            |
|-----|-----------------------------------------|------------------|----------------|---------------|----------------|------------|-----------------------------|---------------|----------------|------------|-------------|------------|
|     | COSTES INSTALACION                      | C. MANTENIMIENTO | COMPRA ENERGIA | VENTA ENERGIA | FLUJOS DE CAJA | VAN        | COMPRA ENERGIA              | VENTA ENERGIA | FLUJOS DE CAJA | VAN        | AHORRO      | BALANCE    |
| 0   | -4.487,9 €                              | 0 €              | 0 €            | 0 €           | -4.487,9 €     | -4.487,9 € | 0 €                         | 0 €           | 0 €            | 0 €        | -4.487,9 €  | -4.487,9 € |
| 1   | 0 €                                     | -54,7 €          | -773,7 €       | 0 €           | -828,4 €       | -812,1 €   | -1.130,8 €                  | 0 €           | -1.130,8 €     | -1.108,6 € | 296,5 €     | -4.191,4 € |
| 2   | 0 €                                     | -55,8 €          | -789,2 €       | 0 €           | -844,9 €       | -812,1 €   | -1.153,4 €                  | 0 €           | -1.153,4 €     | -1.108,6 € | 296,5 €     | -3.894,9 € |
| 3   | 0 €                                     | -56,9 €          | -805 €         | 0 €           | -861,8 €       | -812,1 €   | -1.176,5 €                  | 0 €           | -1.176,5 €     | -1.108,6 € | 296,5 €     | -3.598 €   |
| 4   | 0 €                                     | -58 €            | -821,1 €       | 0 €           | -879,1 €       | -812,1 €   | -1.200 €                    | 0 €           | -1.200 €       | -1.108,6 € | 296,5 €     | -3.301,9 € |
| 5   | 0 €                                     | -59,2 €          | -837,5 €       | 0 €           | -896,7 €       | -812,1 €   | -1.224 €                    | 0 €           | -1.224 €       | -1.108,6 € | 296,5 €     | -3.005,4 € |
| 6   | 0 €                                     | -60,4 €          | -854,2 €       | 0 €           | -914,6 €       | -812,1 €   | -1.248,5 €                  | 0 €           | -1.248,5 €     | -1.108,6 € | 296,5 €     | -2.708,9 € |
| 7   | 0 €                                     | -61,6 €          | -871,3 €       | 0 €           | -932,9 €       | -812,1 €   | -1.273,5 €                  | 0 €           | -1.273,5 €     | -1.108,6 € | 296,5 €     | -2.412,4 € |
| 8   | 0 €                                     | -62,8 €          | -888,7 €       | 0 €           | -951,5 €       | -812,1 €   | -1.298,9 €                  | 0 €           | -1.298,9 €     | -1.108,6 € | 296,5 €     | -2.116 €   |
| 9   | 0 €                                     | -64,1 €          | -906,5 €       | 0 €           | -970,6 €       | -812,1 €   | -1.324,9 €                  | 0 €           | -1.324,9 €     | -1.108,6 € | 296,5 €     | -1.819,4 € |
| 10  | -904,5 €                                | -65,3 €          | -924,6 €       | 0 €           | -1.894,5 €     | -1.554,1 € | -1.351,4 €                  | 0 €           | -1.351,4 €     | -1.108,6 € | -445,5 €    | -2.264,9 € |
| 11  | 0 €                                     | -66,6 €          | -943,1 €       | 0 €           | -1.009,8 €     | -812,1 €   | -1.378,4 €                  | 0 €           | -1.378,4 €     | -1.108,6 € | 296,5 €     | -1.968,4 € |
| 12  | 0 €                                     | -68 €            | -962 €         | 0 €           | -1.030 €       | -812,1 €   | -1.406 €                    | 0 €           | -1.406 €       | -1.108,6 € | 296,5 €     | -1.671,9 € |
| 13  | 0 €                                     | -69,3 €          | -981,2 €       | 0 €           | -1.050,6 €     | -812,1 €   | -1.434,1 €                  | 0 €           | -1.434,1 €     | -1.108,6 € | 296,5 €     | -1.375,4 € |
| 14  | 0 €                                     | -70,7 €          | -1.000,9 €     | 0 €           | -1.071,6 €     | -812,1 €   | -1.462,8 €                  | 0 €           | -1.462,8 €     | -1.108,6 € | 296,5 €     | -1.079 €   |
| 15  | 0 €                                     | -72,1 €          | -1.020,9 €     | 0 €           | -1.093 €       | -812,1 €   | -1.492,1 €                  | 0 €           | -1.492,1 €     | -1.108,6 € | 296,5 €     | -782,4 €   |
| 16  | 0 €                                     | -73,6 €          | -1.041,3 €     | 0 €           | -1.114,9 €     | -812,1 €   | -1.521,9 €                  | 0 €           | -1.521,9 €     | -1.108,6 € | 296,5 €     | -485,9 €   |
| 17  | 0 €                                     | -75,1 €          | -1.062,1 €     | 0 €           | -1.137,2 €     | -812,1 €   | -1.552,3 €                  | 0 €           | -1.552,3 €     | -1.108,6 € | 296,5 €     | -189,4 €   |
| 18  | 0 €                                     | -76,6 €          | -1.083,4 €     | 0 €           | -1.159,9 €     | -812,1 €   | -1.583,4 €                  | 0 €           | -1.583,4 €     | -1.108,6 € | 296,5 €     | 107,1 €    |
| 19  | 0 €                                     | -78,1 €          | -1.105 €       | 0 €           | -1.183,1 €     | -812,1 €   | -1.615 €                    | 0 €           | -1.615 €       | -1.108,6 € | 296,5 €     | 403,6 €    |
| 20  | -1.102,6 €                              | -79,6 €          | -1.127,1 €     | 0 €           | -2.309,3 €     | -1.554,1 € | -1.647,3 €                  | 0 €           | -1.647,3 €     | -1.108,6 € | -445,5 €    | -41,9 €    |
| 21  | 0 €                                     | -81,2 €          | -1.149,7 €     | 0 €           | -1.230,9 €     | -812,1 €   | -1.680,3 €                  | 0 €           | -1.680,3 €     | -1.108,6 € | 296,5 €     | 254,6 €    |
| 22  | 0 €                                     | -82,9 €          | -1.172,7 €     | 0 €           | -1.255,5 €     | -812,1 €   | -1.713,9 €                  | 0 €           | -1.713,9 €     | -1.108,6 € | 296,5 €     | 551,1 €    |
| 23  | 0 €                                     | -84,5 €          | -1.196,1 €     | 0 €           | -1.280,6 €     | -812,1 €   | -1.748,2 €                  | 0 €           | -1.748,2 €     | -1.108,6 € | 296,5 €     | 847,6 €    |
| 24  | 0 €                                     | -86,2 €          | -1.220 €       | 0 €           | -1.306,3 €     | -812,1 €   | -1.783,1 €                  | 0 €           | -1.783,1 €     | -1.108,6 € | 296,5 €     | 1.144,1 €  |
| 25  | 608,7 €                                 | -87,9 €          | -1.244,4 €     | 0 €           | -723,7 €       | -441,1 €   | -1.818,8 €                  | 0 €           | -1.818,8 €     | -1.108,6 € | 667,5 €     | 1.811,6 €  |

VAN 25.904 €

PAYBACK 17 años

AHORRO 1.811,6 €

LCOE 0,22 €/kWh

### 6. Instalación Net Metering Sevilla

| AÑO | INSTALACION AUTOCONSUMO CONECTADA A RED |                  |                |               |                |            | INSTALACION SIN AUTOCONSUMO |               |                |            | COMPARATIVA |            |
|-----|-----------------------------------------|------------------|----------------|---------------|----------------|------------|-----------------------------|---------------|----------------|------------|-------------|------------|
|     | COSTES INSTALACION                      | C. MANTENIMIENTO | COMPRA ENERGIA | VENTA ENERGIA | FLUJOS DE CAJA | VAN        | COMPRA ENERGIA              | VENTA ENERGIA | FLUJOS DE CAJA | VAN        | AHORRO      | BALANCE    |
| 0   | -4.487,9 €                              | 0 €              | 0 €            | 0 €           | -4.487,9 €     | -4.487,9 € | 0 €                         | 0 €           | 0 €            | 0 €        | -4.487,9 €  | -4.487,9 € |
| 1   | 0 €                                     | -54,7 €          | -731,6 €       | 374,7 €       | -411,6 €       | -403,5 €   | -1.130,8 €                  | 0 €           | -1.130,8 €     | -1.108,6 € | 705,1 €     | -3.782,8 € |
| 2   | 0 €                                     | -55,8 €          | -746,2 €       | 382,2 €       | -419,8 €       | -403,5 €   | -1.153,4 €                  | 0 €           | -1.153,4 €     | -1.108,6 € | 705,1 €     | -3.077,7 € |
| 3   | 0 €                                     | -56,9 €          | -761,1 €       | 389,8 €       | -428,2 €       | -403,5 €   | -1.176,5 €                  | 0 €           | -1.176,5 €     | -1.108,6 € | 705,1 €     | -2.373 €   |
| 4   | 0 €                                     | -58 €            | -776,3 €       | 397,6 €       | -436,8 €       | -403,5 €   | -1.200 €                    | 0 €           | -1.200 €       | -1.108,6 € | 705,1 €     | -1.667,5 € |
| 5   | 0 €                                     | -59,2 €          | -791,9 €       | 405,6 €       | -445,5 €       | -403,5 €   | -1.224 €                    | 0 €           | -1.224 €       | -1.108,6 € | 705,1 €     | -962,4 €   |
| 6   | 0 €                                     | -60,4 €          | -807,7 €       | 413,7 €       | -454,4 €       | -403,5 €   | -1.248,5 €                  | 0 €           | -1.248,5 €     | -1.108,6 € | 705,1 €     | -257,3 €   |
| 7   | 0 €                                     | -61,6 €          | -823,9 €       | 421,9 €       | -463,5 €       | -403,5 €   | -1.273,5 €                  | 0 €           | -1.273,5 €     | -1.108,6 € | 705,1 €     | 447,8 €    |
| 8   | 0 €                                     | -62,8 €          | -840,3 €       | 430,4 €       | -472,8 €       | -403,5 €   | -1.298,9 €                  | 0 €           | -1.298,9 €     | -1.108,6 € | 705,1 €     | 1.153 €    |
| 9   | 0 €                                     | -64,1 €          | -857,1 €       | 439 €         | -482,2 €       | -403,5 €   | -1.324,9 €                  | 0 €           | -1.324,9 €     | -1.108,6 € | 705,1 €     | 1.858,0 €  |
| 10  | -904,5 €                                | -65,3 €          | -874,3 €       | 447,8 €       | -1.396,4 €     | -1.145,5 € | -1.351,4 €                  | 0 €           | -1.351,4 €     | -1.108,6 € | -36,9 €     | 1.821,1 €  |
| 11  | 0 €                                     | -66,6 €          | -891,8 €       | 456,7 €       | -501,7 €       | -403,5 €   | -1.378,4 €                  | 0 €           | -1.378,4 €     | -1.108,6 € | 705,1 €     | 2.526,2 €  |
| 12  | 0 €                                     | -68 €            | -909,6 €       | 465,8 €       | -511,7 €       | -403,5 €   | -1.406 €                    | 0 €           | -1.406 €       | -1.108,6 € | 705,1 €     | 3.231,3 €  |
| 13  | 0 €                                     | -69,3 €          | -927,8 €       | 475,2 €       | -522 €         | -403,5 €   | -1.434,1 €                  | 0 €           | -1.434,1 €     | -1.108,6 € | 705,1 €     | 3.936,4 €  |
| 14  | 0 €                                     | -70,7 €          | -946,4 €       | 484,7 €       | -532,4 €       | -403,5 €   | -1.462,8 €                  | 0 €           | -1.462,8 €     | -1.108,6 € | 705,1 €     | 4.642 €    |
| 15  | 0 €                                     | -72,1 €          | -965,3 €       | 494,4 €       | -543,1 €       | -403,5 €   | -1.492,1 €                  | 0 €           | -1.492,1 €     | -1.108,6 € | 705,1 €     | 5.346,6 €  |
| 16  | 0 €                                     | -73,6 €          | -984,6 €       | 504,3 €       | -553,9 €       | -403,5 €   | -1.521,9 €                  | 0 €           | -1.521,9 €     | -1.108,6 € | 705,1 €     | 6.051,7 €  |
| 17  | 0 €                                     | -75,1 €          | -1.004,3 €     | 514,3 €       | -565 €         | -403,5 €   | -1.552,3 €                  | 0 €           | -1.552,3 €     | -1.108,6 € | 705,1 €     | 6.756,8 €  |
| 18  | 0 €                                     | -76,6 €          | -1.024,4 €     | 524,6 €       | -576,3 €       | -403,5 €   | -1.583,4 €                  | 0 €           | -1.583,4 €     | -1.108,6 € | 705,1 €     | 7.461,9 €  |
| 19  | 0 €                                     | -78,1 €          | -1.044,9 €     | 535,1 €       | -587,8 €       | -403,5 €   | -1.615 €                    | 0 €           | -1.615 €       | -1.108,6 € | 705,1 €     | 8.167,0 €  |
| 20  | -1.102,6 €                              | -79,6 €          | -1.065,8 €     | 545,8 €       | -1.702,2 €     | -1.145,5 € | -1.647,3 €                  | 0 €           | -1.647,3 €     | -1.108,6 € | -36,9 €     | 8.130,1 €  |
| 21  | 0 €                                     | -81,2 €          | -1.087,1 €     | 556,7 €       | -611,6 €       | -403,5 €   | -1.680,3 €                  | 0 €           | -1.680,3 €     | -1.108,6 € | 705,1 €     | 8.835,2 €  |
| 22  | 0 €                                     | -82,9 €          | -1.108,8 €     | 567,9 €       | -623,8 €       | -403,5 €   | -1.713,9 €                  | 0 €           | -1.713,9 €     | -1.108,6 € | 705,1 €     | 9.540,3 €  |
| 23  | 0 €                                     | -84,5 €          | -1.131 €       | 579,2 €       | -636,3 €       | -403,5 €   | -1.748,2 €                  | 0 €           | -1.748,2 €     | -1.108,6 € | 705,1 €     | 10.245,4 € |
| 24  | 0 €                                     | -86,2 €          | -1.153,6 €     | 590,8 €       | -649 €         | -403,5 €   | -1.783,1 €                  | 0 €           | -1.783,1 €     | -1.108,6 € | 705,1 €     | 10.950,5 € |
| 25  | 608,7 €                                 | -87,9 €          | -1.176,7 €     | 602,6 €       | -53,3 €        | -32,5 €    | -1.818,8 €                  | 0 €           | -1.818,8 €     | -1.108,6 € | 1.076,1 €   | 12.026,6 € |

VAN 15.689 €

PAYBACK 6 años

AHORRO 12.026,6 €

LCOE 0,13 €/kWh

### 7. Instalación No inyección Sevilla

| AÑO | INSTALACION AUTOCONSUMO CONECTADA A RED |                  |                |               |                |            | INSTALACION SIN AUTOCONSUMO |               |                |            | COMPARATIVA |            |
|-----|-----------------------------------------|------------------|----------------|---------------|----------------|------------|-----------------------------|---------------|----------------|------------|-------------|------------|
|     | COSTES INSTALACION                      | C. MANTENIMIENTO | COMPRA ENERGIA | VENTA ENERGIA | FLUJOS DE CAJA | VAN        | COMPRA ENERGIA              | VENTA ENERGIA | FLUJOS DE CAJA | VAN        | AHORRO      | BALANCE    |
| 0   | -4.487,9 €                              | 0 €              | 0 €            | 0 €           | -4.487,9 €     | -4.487,9 € | 0 €                         | 0 €           | 0 €            | 0 €        | -4.487,9 €  | -4.487,9 € |
| 1   | 0 €                                     | -54,7 €          | -740,3 €       | 0 €           | -794,9 €       | -779,4 €   | -1.130,8 €                  | 0 €           | -1.130,8 €     | -1.108,6 € | 329,2 €     | -4.158,7 € |
| 2   | 0 €                                     | -55,8 €          | -755,1 €       | 0 €           | -810,8 €       | -779,4 €   | -1.153,4 €                  | 0 €           | -1.153,4 €     | -1.108,6 € | 329,2 €     | -3.829,5 € |
| 3   | 0 €                                     | -56,9 €          | -770,2 €       | 0 €           | -827,1 €       | -779,4 €   | -1.176,5 €                  | 0 €           | -1.176,5 €     | -1.108,6 € | 329,2 €     | -3.500 €   |
| 4   | 0 €                                     | -58 €            | -785,6 €       | 0 €           | -843,6 €       | -779,4 €   | -1.200 €                    | 0 €           | -1.200 €       | -1.108,6 € | 329,2 €     | -3.171,1 € |
| 5   | 0 €                                     | -59,2 €          | -801,3 €       | 0 €           | -860,5 €       | -779,4 €   | -1.224 €                    | 0 €           | -1.224 €       | -1.108,6 € | 329,2 €     | -2.841,9 € |
| 6   | 0 €                                     | -60,4 €          | -817,3 €       | 0 €           | -877,7 €       | -779,4 €   | -1.248,5 €                  | 0 €           | -1.248,5 €     | -1.108,6 € | 329,2 €     | -2.512,7 € |
| 7   | 0 €                                     | -61,6 €          | -833,7 €       | 0 €           | -895,2 €       | -779,4 €   | -1.273,5 €                  | 0 €           | -1.273,5 €     | -1.108,6 € | 329,2 €     | -2.183,5 € |
| 8   | 0 €                                     | -62,8 €          | -850,3 €       | 0 €           | -913,1 €       | -779,4 €   | -1.298,9 €                  | 0 €           | -1.298,9 €     | -1.108,6 € | 329,2 €     | -1.854 €   |
| 9   | 0 €                                     | -64,1 €          | -867,3 €       | 0 €           | -931,4 €       | -779,4 €   | -1.324,9 €                  | 0 €           | -1.324,9 €     | -1.108,6 € | 329,2 €     | -1.525,1 € |
| 10  | -904,5 €                                | -65,3 €          | -884,7 €       | 0 €           | -1.854,5 €     | -1.521,4 € | -1.351,4 €                  | 0 €           | -1.351,4 €     | -1.108,6 € | -412,8 €    | -1.937,9 € |
| 11  | 0 €                                     | -66,6 €          | -902,4 €       | 0 €           | -969 €         | -779,4 €   | -1.378,4 €                  | 0 €           | -1.378,4 €     | -1.108,6 € | 329,2 €     | -1.608,7 € |
| 12  | 0 €                                     | -68 €            | -920,4 €       | 0 €           | -988,4 €       | -779,4 €   | -1.406 €                    | 0 €           | -1.406 €       | -1.108,6 € | 329,2 €     | -1.279,5 € |
| 13  | 0 €                                     | -69,3 €          | -938,8 €       | 0 €           | -1.008,2 €     | -779,4 €   | -1.434,1 €                  | 0 €           | -1.434,1 €     | -1.108,6 € | 329,2 €     | -950,3 €   |
| 14  | 0 €                                     | -70,7 €          | -957,6 €       | 0 €           | -1.028,3 €     | -779,4 €   | -1.462,8 €                  | 0 €           | -1.462,8 €     | -1.108,6 € | 329,2 €     | -621 €     |
| 15  | 0 €                                     | -72,1 €          | -976,8 €       | 0 €           | -1.048,9 €     | -779,4 €   | -1.492,1 €                  | 0 €           | -1.492,1 €     | -1.108,6 € | 329,2 €     | -291,9 €   |
| 16  | 0 €                                     | -73,6 €          | -996,3 €       | 0 €           | -1.069,9 €     | -779,4 €   | -1.521,9 €                  | 0 €           | -1.521,9 €     | -1.108,6 € | 329,2 €     | 37,3 €     |
| 17  | 0 €                                     | -75,1 €          | -1.016,2 €     | 0 €           | -1.091,3 €     | -779,4 €   | -1.552,3 €                  | 0 €           | -1.552,3 €     | -1.108,6 € | 329,2 €     | 366,5 €    |
| 18  | 0 €                                     | -76,6 €          | -1.036,6 €     | 0 €           | -1.113,1 €     | -779,4 €   | -1.583,4 €                  | 0 €           | -1.583,4 €     | -1.108,6 € | 329,2 €     | 695,7 €    |
| 19  | 0 €                                     | -78,1 €          | -1.057,3 €     | 0 €           | -1.135,4 €     | -779,4 €   | -1.615 €                    | 0 €           | -1.615 €       | -1.108,6 € | 329,2 €     | 1.024,9 €  |
| 20  | -1.102,6 €                              | -79,6 €          | -1.078,4 €     | 0 €           | -2.260,6 €     | -1.521,4 € | -1.647,3 €                  | 0 €           | -1.647,3 €     | -1.108,6 € | -412,8 €    | 612,1 €    |
| 21  | 0 €                                     | -81,2 €          | -1.100 €       | 0 €           | -1.181,2 €     | -779,4 €   | -1.680,3 €                  | 0 €           | -1.680,3 €     | -1.108,6 € | 329,2 €     | 941,3 €    |
| 22  | 0 €                                     | -82,9 €          | -1.122 €       | 0 €           | -1.204,9 €     | -779,4 €   | -1.713,9 €                  | 0 €           | -1.713,9 €     | -1.108,6 € | 329,2 €     | 1.270,5 €  |
| 23  | 0 €                                     | -84,5 €          | -1.144,4 €     | 0 €           | -1.229 €       | -779,4 €   | -1.748,2 €                  | 0 €           | -1.748,2 €     | -1.108,6 € | 329,2 €     | 1.599,7 €  |
| 24  | 0 €                                     | -86,2 €          | -1.167,3 €     | 0 €           | -1.253,5 €     | -779,4 €   | -1.783,1 €                  | 0 €           | -1.783,1 €     | -1.108,6 € | 329,2 €     | 1.928,9 €  |
| 25  | 608,7 €                                 | -87,9 €          | -1.190,7 €     | 0 €           | -669,9 €       | -408,4 €   | -1.818,8 €                  | 0 €           | -1.818,8 €     | -1.108,6 € | 700,2 €     | 2.629,1 €  |

VAN 25.084,7 €

PAYBACK 15 años

AHORRO 2.629,1 €

LCOE 0,21 €/kWh

### 8. Instalación Net Metering Bilbao

| AÑO | INSTALACION AUTOCONSUMO CONECTADA A RED |                  |                |               |                |            | INSTALACION SIN AUTOCONSUMO |               |                |            | COMPARATIVA |            |
|-----|-----------------------------------------|------------------|----------------|---------------|----------------|------------|-----------------------------|---------------|----------------|------------|-------------|------------|
|     | COSTES INSTALACION                      | C. MANTENIMIENTO | COMPRA ENERGIA | VENTA ENERGIA | FLUJOS DE CAJA | VAN        | COMPRA ENERGIA              | VENTA ENERGIA | FLUJOS DE CAJA | VAN        | AHORRO      | BALANCE    |
| 0   | -5.426,3 €                              | 0 €              | 0 €            | 0 €           | -5.426,3 €     | -5.426,3 € | 0 €                         | 0 €           | 0 €            | 0 €        | -5.426,3 €  | -5.426,3 € |
| 1   | 0 €                                     | -61,6 €          | -767,4 €       | 405,6 €       | -423,4 €       | -415,1 €   | -1.130,8 €                  | 0 €           | -1.130,8 €     | -1.108,6 € | 693,5 €     | -4.732,8 € |
| 2   | 0 €                                     | -62,8 €          | -782,8 €       | 413,7 €       | -431,9 €       | -415,1 €   | -1.153,4 €                  | 0 €           | -1.153,4 €     | -1.108,6 € | 693,5 €     | -4.039,3 € |
| 3   | 0 €                                     | -64,1 €          | -798,4 €       | 422 €         | -440,5 €       | -415,1 €   | -1.176,5 €                  | 0 €           | -1.176,5 €     | -1.108,6 € | 693,5 €     | -3.346 €   |
| 4   | 0 €                                     | -65,4 €          | -814,4 €       | 430,4 €       | -449,3 €       | -415,1 €   | -1.200 €                    | 0 €           | -1.200 €       | -1.108,6 € | 693,5 €     | -2.652,3 € |
| 5   | 0 €                                     | -66,7 €          | -830,7 €       | 439 €         | -458,3 €       | -415,1 €   | -1.224 €                    | 0 €           | -1.224 €       | -1.108,6 € | 693,5 €     | -1.958,8 € |
| 6   | 0 €                                     | -68 €            | -847,3 €       | 447,8 €       | -467,5 €       | -415,1 €   | -1.248,5 €                  | 0 €           | -1.248,5 €     | -1.108,6 € | 693,5 €     | -1.265,3 € |
| 7   | 0 €                                     | -69,4 €          | -864,2 €       | 456,8 €       | -476,8 €       | -415,1 €   | -1.273,5 €                  | 0 €           | -1.273,5 €     | -1.108,6 € | 693,5 €     | -571,8 €   |
| 8   | 0 €                                     | -70,8 €          | -881,5 €       | 465,9 €       | -486,4 €       | -415,1 €   | -1.298,9 €                  | 0 €           | -1.298,9 €     | -1.108,6 € | 693,5 €     | 122 €      |
| 9   | 0 €                                     | -72,2 €          | -899,1 €       | 475,2 €       | -496,1 €       | -415,1 €   | -1.324,9 €                  | 0 €           | -1.324,9 €     | -1.108,6 € | 693,5 €     | 815,2 €    |
| 10  | -904,5 €                                | -73,6 €          | -917,1 €       | 484,7 €       | -1.410,5 €     | -1.157,1 € | -1.351,4 €                  | 0 €           | -1.351,4 €     | -1.108,6 € | -48,5 €     | 766,7 €    |
| 11  | 0 €                                     | -75,1 €          | -935,5 €       | 494,4 €       | -516,1 €       | -415,1 €   | -1.378,4 €                  | 0 €           | -1.378,4 €     | -1.108,6 € | 693,5 €     | 1.460,2 €  |
| 12  | 0 €                                     | -76,6 €          | -954,2 €       | 504,3 €       | -526,5 €       | -415,1 €   | -1.406 €                    | 0 €           | -1.406 €       | -1.108,6 € | 693,5 €     | 2.153,7 €  |
| 13  | 0 €                                     | -78,1 €          | -973,3 €       | 514,4 €       | -537 €         | -415,1 €   | -1.434,1 €                  | 0 €           | -1.434,1 €     | -1.108,6 € | 693,5 €     | 2.847,2 €  |
| 14  | 0 €                                     | -79,7 €          | -992,7 €       | 524,7 €       | -547,7 €       | -415,1 €   | -1.462,8 €                  | 0 €           | -1.462,8 €     | -1.108,6 € | 693,5 €     | 3.541 €    |
| 15  | 0 €                                     | -81,3 €          | -1.012,6 €     | 535,2 €       | -558,7 €       | -415,1 €   | -1.492,1 €                  | 0 €           | -1.492,1 €     | -1.108,6 € | 693,5 €     | 4.234,2 €  |
| 16  | 0 €                                     | -82,9 €          | -1.032,8 €     | 545,9 €       | -569,9 €       | -415,1 €   | -1.521,9 €                  | 0 €           | -1.521,9 €     | -1.108,6 € | 693,5 €     | 4.927,7 €  |
| 17  | 0 €                                     | -84,6 €          | -1.053,5 €     | 556,8 €       | -581,3 €       | -415,1 €   | -1.552,3 €                  | 0 €           | -1.552,3 €     | -1.108,6 € | 693,5 €     | 5.621,2 €  |
| 18  | 0 €                                     | -86,3 €          | -1.074,6 €     | 567,9 €       | -592,9 €       | -415,1 €   | -1.583,4 €                  | 0 €           | -1.583,4 €     | -1.108,6 € | 693,5 €     | 6.314,7 €  |
| 19  | 0 €                                     | -88 €            | -1.096 €       | 579,3 €       | -604,7 €       | -415,1 €   | -1.615 €                    | 0 €           | -1.615 €       | -1.108,6 € | 693,5 €     | 7.008,2 €  |
| 20  | -1.102,6 €                              | -89,8 €          | -1.118 €       | 590,9 €       | -1.719,4 €     | -1.157,1 € | -1.647,3 €                  | 0 €           | -1.647,3 €     | -1.108,6 € | -48,5 €     | 6.959,7 €  |
| 21  | 0 €                                     | -91,5 €          | -1.140,3 €     | 602,7 €       | -629,2 €       | -415,1 €   | -1.680,3 €                  | 0 €           | -1.680,3 €     | -1.108,6 € | 693,5 €     | 7.653,2 €  |
| 22  | 0 €                                     | -93,4 €          | -1.163,1 €     | 614,8 €       | -641,7 €       | -415,1 €   | -1.713,9 €                  | 0 €           | -1.713,9 €     | -1.108,6 € | 693,5 €     | 8.346,7 €  |
| 23  | 0 €                                     | -95,2 €          | -1.186,4 €     | 627,1 €       | -654,6 €       | -415,1 €   | -1.748,2 €                  | 0 €           | -1.748,2 €     | -1.108,6 € | 693,5 €     | 9.040,2 €  |
| 24  | 0 €                                     | -97,1 €          | -1.210,1 €     | 639,6 €       | -667,7 €       | -415,1 €   | -1.783,1 €                  | 0 €           | -1.783,1 €     | -1.108,6 € | 693,5 €     | 9.733,7 €  |
| 25  | 608,7 €                                 | -99,1 €          | -1.234,3 €     | 652,4 €       | -72,4 €        | -44,1 €    | -1.818,8 €                  | 0 €           | -1.818,8 €     | -1.108,6 € | 1.064,5 €   | 10.798,2 € |

VAN 16.917 €

PAYBACK 7 años

AHORRO 10.798,2 €

LCOE 0,14 €/kWh

### 9. Instalación No inyección Bilbao

| AÑO | INSTALACION AUTOCONSUMO CONECTADA A RED |                  |                |               |                |            | INSTALACION SIN AUTOCONSUMO |               |                |            | COMPARATIVA |            |
|-----|-----------------------------------------|------------------|----------------|---------------|----------------|------------|-----------------------------|---------------|----------------|------------|-------------|------------|
|     | COSTES INSTALACION                      | C. MANTENIMIENTO | COMPRA ENERGIA | VENTA ENERGIA | FLUJOS DE CAJA | VAN        | COMPRA ENERGIA              | VENTA ENERGIA | FLUJOS DE CAJA | VAN        | AHORRO      | BALANCE    |
| 0   | -5.426,3 €                              | 0 €              | 0 €            | 0 €           | -5.426,3 €     | -5.426,3 € | 0 €                         | 0 €           | 0 €            | 0 €        | -5.426,3 €  | -5.426,3 € |
| 1   | 0 €                                     | -61,6 €          | -775,3 €       | 0 €           | -836,9 €       | -820,5 €   | -1.130,8 €                  | 0 €           | -1.130,8 €     | -1.108,6 € | 288,1 €     | -5.138,2 € |
| 2   | 0 €                                     | -62,8 €          | -790,8 €       | 0 €           | -853,6 €       | -820,5 €   | -1.153,4 €                  | 0 €           | -1.153,4 €     | -1.108,6 € | 288,1 €     | -4.850,1 € |
| 3   | 0 €                                     | -64,1 €          | -806,6 €       | 0 €           | -870,7 €       | -820,5 €   | -1.176,5 €                  | 0 €           | -1.176,5 €     | -1.108,6 € | 288,1 €     | -4.562 €   |
| 4   | 0 €                                     | -65,4 €          | -822,7 €       | 0 €           | -888,1 €       | -820,5 €   | -1.200 €                    | 0 €           | -1.200 €       | -1.108,6 € | 288,1 €     | -4.273,9 € |
| 5   | 0 €                                     | -66,7 €          | -839,2 €       | 0 €           | -905,8 €       | -820,5 €   | -1.224 €                    | 0 €           | -1.224 €       | -1.108,6 € | 288,1 €     | -3.985,8 € |
| 6   | 0 €                                     | -68 €            | -855,9 €       | 0 €           | -924 €         | -820,5 €   | -1.248,5 €                  | 0 €           | -1.248,5 €     | -1.108,6 € | 288,1 €     | -3.697,7 € |
| 7   | 0 €                                     | -69,4 €          | -873,1 €       | 0 €           | -942,4 €       | -820,5 €   | -1.273,5 €                  | 0 €           | -1.273,5 €     | -1.108,6 € | 288,1 €     | -3.409,6 € |
| 8   | 0 €                                     | -70,8 €          | -890,5 €       | 0 €           | -961,3 €       | -820,5 €   | -1.298,9 €                  | 0 €           | -1.298,9 €     | -1.108,6 € | 288,1 €     | -3.122 €   |
| 9   | 0 €                                     | -72,2 €          | -908,3 €       | 0 €           | -980,5 €       | -820,5 €   | -1.324,9 €                  | 0 €           | -1.324,9 €     | -1.108,6 € | 288,1 €     | -2.833,4 € |
| 10  | -904,5 €                                | -73,6 €          | -926,5 €       | 0 €           | -1.904,6 €     | -1.562,5 € | -1.351,4 €                  | 0 €           | -1.351,4 €     | -1.108,6 € | -453,9 €    | -3.287,3 € |
| 11  | 0 €                                     | -75,1 €          | -945 €         | 0 €           | -1.020,1 €     | -820,5 €   | -1.378,4 €                  | 0 €           | -1.378,4 €     | -1.108,6 € | 288,1 €     | -2.999,2 € |
| 12  | 0 €                                     | -76,6 €          | -963,9 €       | 0 €           | -1.040,5 €     | -820,5 €   | -1.406 €                    | 0 €           | -1.406 €       | -1.108,6 € | 288,1 €     | -2.711,1 € |
| 13  | 0 €                                     | -78,1 €          | -983,2 €       | 0 €           | -1.061,3 €     | -820,5 €   | -1.434,1 €                  | 0 €           | -1.434,1 €     | -1.108,6 € | 288,1 €     | -2.423,0 € |
| 14  | 0 €                                     | -79,7 €          | -1.002,9 €     | 0 €           | -1.082,6 €     | -820,5 €   | -1.462,8 €                  | 0 €           | -1.462,8 €     | -1.108,6 € | 288,1 €     | -2.135 €   |
| 15  | 0 €                                     | -81,3 €          | -1.022,9 €     | 0 €           | -1.104,2 €     | -820,5 €   | -1.492,1 €                  | 0 €           | -1.492,1 €     | -1.108,6 € | 288,1 €     | -1.846,8 € |
| 16  | 0 €                                     | -82,9 €          | -1.043,4 €     | 0 €           | -1.126,3 €     | -820,5 €   | -1.521,9 €                  | 0 €           | -1.521,9 €     | -1.108,6 € | 288,1 €     | -1.558,7 € |
| 17  | 0 €                                     | -84,6 €          | -1.064,3 €     | 0 €           | -1.148,8 €     | -820,5 €   | -1.552,3 €                  | 0 €           | -1.552,3 €     | -1.108,6 € | 288,1 €     | -1.270,6 € |
| 18  | 0 €                                     | -86,3 €          | -1.085,5 €     | 0 €           | -1.171,8 €     | -820,5 €   | -1.583,4 €                  | 0 €           | -1.583,4 €     | -1.108,6 € | 288,1 €     | -982,5 €   |
| 19  | 0 €                                     | -88 €            | -1.107,3 €     | 0 €           | -1.195,2 €     | -820,5 €   | -1.615 €                    | 0 €           | -1.615 €       | -1.108,6 € | 288,1 €     | -694,4 €   |
| 20  | -1.102,6 €                              | -89,8 €          | -1.129,4 €     | 0 €           | -2.321,7 €     | -1.562,5 € | -1.647,3 €                  | 0 €           | -1.647,3 €     | -1.108,6 € | -453,9 €    | -1.148,3 € |
| 21  | 0 €                                     | -91,5 €          | -1.152 €       | 0 €           | -1.243,5 €     | -820,5 €   | -1.680,3 €                  | 0 €           | -1.680,3 €     | -1.108,6 € | 288,1 €     | -860,2 €   |
| 22  | 0 €                                     | -93,4 €          | -1.175 €       | 0 €           | -1.268,4 €     | -820,5 €   | -1.713,9 €                  | 0 €           | -1.713,9 €     | -1.108,6 € | 288,1 €     | -572,1 €   |
| 23  | 0 €                                     | -95,2 €          | -1.198,5 €     | 0 €           | -1.293,8 €     | -820,5 €   | -1.748,2 €                  | 0 €           | -1.748,2 €     | -1.108,6 € | 288,1 €     | -284,0 €   |
| 24  | 0 €                                     | -97,1 €          | -1.222,5 €     | 0 €           | -1.319,6 €     | -820,5 €   | -1.783,1 €                  | 0 €           | -1.783,1 €     | -1.108,6 € | 288,1 €     | 4,1 €      |
| 25  | 608,7 €                                 | -99,1 €          | -1.246,9 €     | 0 €           | -737,4 €       | -449,5 €   | -1.818,8 €                  | 0 €           | -1.818,8 €     | -1.108,6 € | 659,1 €     | 663,2 €    |

VAN 27.050,6 €

PAYBACK 23 años

AHORRO 663,2 €

LCOE 0,23 €/kWh

### 10. Instalación Depreciación 10% del kWp Zaragoza

| AÑO | INSTALACION AUTOCONSUMO CONECTADA A RED |                  |                |               |                |            | INSTALACION SIN AUTOCONSUMO |               |                |            | COMPARATIVA |            |
|-----|-----------------------------------------|------------------|----------------|---------------|----------------|------------|-----------------------------|---------------|----------------|------------|-------------|------------|
|     | COSTES INSTALACION                      | C. MANTENIMIENTO | COMPRA ENERGIA | VENTA ENERGIA | FLUJOS DE CAJA | VAN        | COMPRA ENERGIA              | VENTA ENERGIA | FLUJOS DE CAJA | VAN        | AHORRO      | BALANCE    |
| 0   | -4.039,5 €                              | 0 €              | 0 €            | 0 €           | -4.039,5 €     | -4.039,5 € | 0 €                         | 0 €           | 0 €            | 0 €        | -4.039,5 €  | -4.039,5 € |
| 1   | 0 €                                     | -54,7 €          | -773,7 €       | 105,8 €       | -722,6 €       | -708,4 €   | -1.130,8 €                  | 0 €           | -1.130,8 €     | -1.108,6 € | 400,2 €     | -3.639,3 € |
| 2   | 0 €                                     | -55,8 €          | -789,2 €       | 107,9 €       | -737,1 €       | -708,4 €   | -1.153,4 €                  | 0 €           | -1.153,4 €     | -1.108,6 € | 400,2 €     | -3.239,1 € |
| 3   | 0 €                                     | -56,9 €          | -805 €         | 110 €         | -751,8 €       | -708,4 €   | -1.176,5 €                  | 0 €           | -1.176,5 €     | -1.108,6 € | 400,2 €     | -2.839 €   |
| 4   | 0 €                                     | -58 €            | -821,1 €       | 112,2 €       | -766,8 €       | -708,4 €   | -1.200 €                    | 0 €           | -1.200 €       | -1.108,6 € | 400,2 €     | -2.438,7 € |
| 5   | 0 €                                     | -59,2 €          | -837,5 €       | 114,5 €       | -782,2 €       | -708,4 €   | -1.224 €                    | 0 €           | -1.224 €       | -1.108,6 € | 400,2 €     | -2.038,5 € |
| 6   | 0 €                                     | -60,4 €          | -854,2 €       | 116,8 €       | -797,8 €       | -708,4 €   | -1.248,5 €                  | 0 €           | -1.248,5 €     | -1.108,6 € | 400,2 €     | -1.638,3 € |
| 7   | 0 €                                     | -61,6 €          | -871,3 €       | 119,1 €       | -813,8 €       | -708,4 €   | -1.273,5 €                  | 0 €           | -1.273,5 €     | -1.108,6 € | 400,2 €     | -1.238,1 € |
| 8   | 0 €                                     | -62,8 €          | -888,7 €       | 121,5 €       | -830,1 €       | -708,4 €   | -1.298,9 €                  | 0 €           | -1.298,9 €     | -1.108,6 € | 400,2 €     | -838 €     |
| 9   | 0 €                                     | -64,1 €          | -906,5 €       | 123,9 €       | -846,7 €       | -708,4 €   | -1.324,9 €                  | 0 €           | -1.324,9 €     | -1.108,6 € | 400,2 €     | -437,7 €   |
| 10  | -814,3 €                                | -65,3 €          | -924,6 €       | 126,4 €       | -1.677,9 €     | -1.376,4 € | -1.351,4 €                  | 0 €           | -1.351,4 €     | -1.108,6 € | -267,8 €    | -705,5 €   |
| 11  | 0 €                                     | -66,6 €          | -943,1 €       | 128,9 €       | -880,9 €       | -708,4 €   | -1.378,4 €                  | 0 €           | -1.378,4 €     | -1.108,6 € | 400,2 €     | -305,3 €   |
| 12  | 0 €                                     | -68 €            | -962 €         | 131,5 €       | -898,5 €       | -708,4 €   | -1.406 €                    | 0 €           | -1.406 €       | -1.108,6 € | 400,2 €     | 94,9 €     |
| 13  | 0 €                                     | -69,3 €          | -981,2 €       | 134,1 €       | -916,4 €       | -708,4 €   | -1.434,1 €                  | 0 €           | -1.434,1 €     | -1.108,6 € | 400,2 €     | 495,1 €    |
| 14  | 0 €                                     | -70,7 €          | -1.000,9 €     | 136,8 €       | -934,8 €       | -708,4 €   | -1.462,8 €                  | 0 €           | -1.462,8 €     | -1.108,6 € | 400,2 €     | 895 €      |
| 15  | 0 €                                     | -72,1 €          | -1.020,9 €     | 139,5 €       | -953,5 €       | -708,4 €   | -1.492,1 €                  | 0 €           | -1.492,1 €     | -1.108,6 € | 400,2 €     | 1.295,5 €  |
| 16  | 0 €                                     | -73,6 €          | -1.041,3 €     | 142,3 €       | -972,5 €       | -708,4 €   | -1.521,9 €                  | 0 €           | -1.521,9 €     | -1.108,6 € | 400,2 €     | 1.695,7 €  |
| 17  | 0 €                                     | -75,1 €          | -1.062,1 €     | 145,2 €       | -992 €         | -708,4 €   | -1.552,3 €                  | 0 €           | -1.552,3 €     | -1.108,6 € | 400,2 €     | 2.095,9 €  |
| 18  | 0 €                                     | -76,6 €          | -1.083,4 €     | 148,1 €       | -1.011,8 €     | -708,4 €   | -1.583,4 €                  | 0 €           | -1.583,4 €     | -1.108,6 € | 400,2 €     | 2.496,1 €  |
| 19  | 0 €                                     | -78,1 €          | -1.105 €       | 151 €         | -1.032,1 €     | -708,4 €   | -1.615 €                    | 0 €           | -1.615 €       | -1.108,6 € | 400,2 €     | 2.896,3 €  |
| 20  | -992,6 €                                | -79,6 €          | -1.127,1 €     | 154,1 €       | -2.045,3 €     | -1.376,4 € | -1.647,3 €                  | 0 €           | -1.647,3 €     | -1.108,6 € | -267,8 €    | 2.628,5 €  |
| 21  | 0 €                                     | -81,2 €          | -1.149,7 €     | 157,1 €       | -1.073,8 €     | -708,4 €   | -1.680,3 €                  | 0 €           | -1.680,3 €     | -1.108,6 € | 400,2 €     | 3.028,7 €  |
| 22  | 0 €                                     | -82,9 €          | -1.172,7 €     | 160,3 €       | -1.095,2 €     | -708,4 €   | -1.713,9 €                  | 0 €           | -1.713,9 €     | -1.108,6 € | 400,2 €     | 3.428,9 €  |
| 23  | 0 €                                     | -84,5 €          | -1.196,1 €     | 163,5 €       | -1.117,1 €     | -708,4 €   | -1.748,2 €                  | 0 €           | -1.748,2 €     | -1.108,6 € | 400,2 €     | 3.829,1 €  |
| 24  | 0 €                                     | -86,2 €          | -1.220 €       | 166,8 €       | -1.139,5 €     | -708,4 €   | -1.783,1 €                  | 0 €           | -1.783,1 €     | -1.108,6 € | 400,2 €     | 4.229,3 €  |
| 25  | 548,0 €                                 | -87,9 €          | -1.244,4 €     | 170,1 €       | -614,3 €       | -374,4 €   | -1.818,8 €                  | 0 €           | -1.818,8 €     | -1.108,6 € | 734,2 €     | 4.963,5 €  |

VAN 22.752,6 €

PAYBACK 11 años

AHORRO 4.963,5 €

LCOE 0,19 €/kWh

### 11. Instalación Depreciación 20% del kWp Zaragoza

| AÑO | INSTALACION AUTOCONSUMO CONECTADA A RED |                  |                |               |                |            | INSTALACION SIN AUTOCONSUMO |               |                |            | COMPARATIVA |            |
|-----|-----------------------------------------|------------------|----------------|---------------|----------------|------------|-----------------------------|---------------|----------------|------------|-------------|------------|
|     | COSTES INSTALACION                      | C. MANTENIMIENTO | COMPRA ENERGIA | VENTA ENERGIA | FLUJOS DE CAJA | VAN        | COMPRA ENERGIA              | VENTA ENERGIA | FLUJOS DE CAJA | VAN        | AHORRO      | BALANCE    |
| 0   | -3.590,3 €                              | 0 €              | 0 €            | 0 €           | -3.590,3 €     | -3.590,3 € | 0 €                         | 0 €           | 0 €            | 0 €        | -3.590,3 €  | -3.590,3 € |
| 1   | 0 €                                     | -54,7 €          | -773,7 €       | 105,8 €       | -722,6 €       | -708,4 €   | -1.130,8 €                  | 0 €           | -1.130,8 €     | -1.108,6 € | 400,2 €     | -3.190,1 € |
| 2   | 0 €                                     | -55,8 €          | -789,2 €       | 107,9 €       | -737,1 €       | -708,4 €   | -1.153,4 €                  | 0 €           | -1.153,4 €     | -1.108,6 € | 400,2 €     | -2.789,9 € |
| 3   | 0 €                                     | -56,9 €          | -805 €         | 110 €         | -751,8 €       | -708,4 €   | -1.176,5 €                  | 0 €           | -1.176,5 €     | -1.108,6 € | 400,2 €     | -2.390 €   |
| 4   | 0 €                                     | -58 €            | -821,1 €       | 112,2 €       | -766,8 €       | -708,4 €   | -1.200 €                    | 0 €           | -1.200 €       | -1.108,6 € | 400,2 €     | -1.989,5 € |
| 5   | 0 €                                     | -59,2 €          | -837,5 €       | 114,5 €       | -782,2 €       | -708,4 €   | -1.224 €                    | 0 €           | -1.224 €       | -1.108,6 € | 400,2 €     | -1.589,3 € |
| 6   | 0 €                                     | -60,4 €          | -854,2 €       | 116,8 €       | -797,8 €       | -708,4 €   | -1.248,5 €                  | 0 €           | -1.248,5 €     | -1.108,6 € | 400,2 €     | -1.189,1 € |
| 7   | 0 €                                     | -61,6 €          | -871,3 €       | 119,1 €       | -813,8 €       | -708,4 €   | -1.273,5 €                  | 0 €           | -1.273,5 €     | -1.108,6 € | 400,2 €     | -788,9 €   |
| 8   | 0 €                                     | -62,8 €          | -888,7 €       | 121,5 €       | -830,1 €       | -708,4 €   | -1.298,9 €                  | 0 €           | -1.298,9 €     | -1.108,6 € | 400,2 €     | -389 €     |
| 9   | 0 €                                     | -64,1 €          | -906,5 €       | 123,9 €       | -846,7 €       | -708,4 €   | -1.324,9 €                  | 0 €           | -1.324,9 €     | -1.108,6 € | 400,2 €     | 11,5 €     |
| 10  | -724,1 €                                | -65,3 €          | -924,6 €       | 126,4 €       | -1.587,7 €     | -1.302,4 € | -1.351,4 €                  | 0 €           | -1.351,4 €     | -1.108,6 € | -193,8 €    | -182,3 €   |
| 11  | 0 €                                     | -66,6 €          | -943,1 €       | 128,9 €       | -880,9 €       | -708,4 €   | -1.378,4 €                  | 0 €           | -1.378,4 €     | -1.108,6 € | 400,2 €     | 217,9 €    |
| 12  | 0 €                                     | -68 €            | -962 €         | 131,5 €       | -898,5 €       | -708,4 €   | -1.406 €                    | 0 €           | -1.406 €       | -1.108,6 € | 400,2 €     | 618,1 €    |
| 13  | 0 €                                     | -69,3 €          | -981,2 €       | 134,1 €       | -916,4 €       | -708,4 €   | -1.434,1 €                  | 0 €           | -1.434,1 €     | -1.108,6 € | 400,2 €     | 1.018,3 €  |
| 14  | 0 €                                     | -70,7 €          | -1.000,9 €     | 136,8 €       | -934,8 €       | -708,4 €   | -1.462,8 €                  | 0 €           | -1.462,8 €     | -1.108,6 € | 400,2 €     | 1.419 €    |
| 15  | 0 €                                     | -72,1 €          | -1.020,9 €     | 139,5 €       | -953,5 €       | -708,4 €   | -1.492,1 €                  | 0 €           | -1.492,1 €     | -1.108,6 € | 400,2 €     | 1.818,7 €  |
| 16  | 0 €                                     | -73,6 €          | -1.041,3 €     | 142,3 €       | -972,5 €       | -708,4 €   | -1.521,9 €                  | 0 €           | -1.521,9 €     | -1.108,6 € | 400,2 €     | 2.218,9 €  |
| 17  | 0 €                                     | -75,1 €          | -1.062,1 €     | 145,2 €       | -992 €         | -708,4 €   | -1.552,3 €                  | 0 €           | -1.552,3 €     | -1.108,6 € | 400,2 €     | 2.619,1 €  |
| 18  | 0 €                                     | -76,6 €          | -1.083,4 €     | 148,1 €       | -1.011,8 €     | -708,4 €   | -1.583,4 €                  | 0 €           | -1.583,4 €     | -1.108,6 € | 400,2 €     | 3.019,3 €  |
| 19  | 0 €                                     | -78,1 €          | -1.105 €       | 151 €         | -1.032,1 €     | -708,4 €   | -1.615 €                    | 0 €           | -1.615 €       | -1.108,6 € | 400,2 €     | 3.419,5 €  |
| 20  | -882,7 €                                | -79,6 €          | -1.127,1 €     | 154,1 €       | -1.935,4 €     | -1.302,4 € | -1.647,3 €                  | 0 €           | -1.647,3 €     | -1.108,6 € | -193,8 €    | 3.225,7 €  |
| 21  | 0 €                                     | -81,2 €          | -1.149,7 €     | 157,1 €       | -1.073,8 €     | -708,4 €   | -1.680,3 €                  | 0 €           | -1.680,3 €     | -1.108,6 € | 400,2 €     | 3.625,9 €  |
| 22  | 0 €                                     | -82,9 €          | -1.172,7 €     | 160,3 €       | -1.095,2 €     | -708,4 €   | -1.713,9 €                  | 0 €           | -1.713,9 €     | -1.108,6 € | 400,2 €     | 4.026,1 €  |
| 23  | 0 €                                     | -84,5 €          | -1.196,1 €     | 163,5 €       | -1.117,1 €     | -708,4 €   | -1.748,2 €                  | 0 €           | -1.748,2 €     | -1.108,6 € | 400,2 €     | 4.426,3 €  |
| 24  | 0 €                                     | -86,2 €          | -1.220 €       | 166,8 €       | -1.139,5 €     | -708,4 €   | -1.783,1 €                  | 0 €           | -1.783,1 €     | -1.108,6 € | 400,2 €     | 4.826,5 €  |
| 25  | 487,3 €                                 | -87,9 €          | -1.244,4 €     | 170,1 €       | -675 €         | -411,4 €   | -1.818,8 €                  | 0 €           | -1.818,8 €     | -1.108,6 € | 697,2 €     | 5.523,7 €  |

VAN 22.192,5 €

PAYBACK 9 años

AHORRO 5.523,7 €

LCOE 0,19 €/kWh

## 12. Instalación Depreciación 30% del kWp Zaragoza

| AÑO | INSTALACION AUTOCONSUMO CONECTADA A RED |                  |                |               |                |            | INSTALACION SIN AUTOCONSUMO |               |                |            | COMPARATIVA |            |
|-----|-----------------------------------------|------------------|----------------|---------------|----------------|------------|-----------------------------|---------------|----------------|------------|-------------|------------|
|     | COSTES INSTALACION                      | C. MANTENIMIENTO | COMPRA ENERGIA | VENTA ENERGIA | FLUJOS DE CAJA | VAN        | COMPRA ENERGIA              | VENTA ENERGIA | FLUJOS DE CAJA | VAN        | AHORRO      | BALANCE    |
| 0   | -3.141,2 €                              | 0 €              | 0 €            | 0 €           | -3.141,2 €     | -3.141,2 € | 0 €                         | 0 €           | 0 €            | 0 €        | -3.141,2 €  | -3.141,2 € |
| 1   | 0 €                                     | -54,7 €          | -773,7 €       | 105,8 €       | -722,6 €       | -708,4 €   | -1.130,8 €                  | 0 €           | -1.130,8 €     | -1.108,6 € | 400,2 €     | -2.741,0 € |
| 2   | 0 €                                     | -55,8 €          | -789,2 €       | 107,9 €       | -737,1 €       | -708,4 €   | -1.153,4 €                  | 0 €           | -1.153,4 €     | -1.108,6 € | 400,2 €     | -2.340,8 € |
| 3   | 0 €                                     | -56,9 €          | -805 €         | 110 €         | -751,8 €       | -708,4 €   | -1.176,5 €                  | 0 €           | -1.176,5 €     | -1.108,6 € | 400,2 €     | -1.941 €   |
| 4   | 0 €                                     | -58 €            | -821,1 €       | 112,2 €       | -766,8 €       | -708,4 €   | -1.200 €                    | 0 €           | -1.200 €       | -1.108,6 € | 400,2 €     | -1.540,4 € |
| 5   | 0 €                                     | -59,2 €          | -837,5 €       | 114,5 €       | -782,2 €       | -708,4 €   | -1.224 €                    | 0 €           | -1.224 €       | -1.108,6 € | 400,2 €     | -1.140,2 € |
| 6   | 0 €                                     | -60,4 €          | -854,2 €       | 116,8 €       | -797,8 €       | -708,4 €   | -1.248,5 €                  | 0 €           | -1.248,5 €     | -1.108,6 € | 400,2 €     | -740,0 €   |
| 7   | 0 €                                     | -61,6 €          | -871,3 €       | 119,1 €       | -813,8 €       | -708,4 €   | -1.273,5 €                  | 0 €           | -1.273,5 €     | -1.108,6 € | 400,2 €     | -339,8 €   |
| 8   | 0 €                                     | -62,8 €          | -888,7 €       | 121,5 €       | -830,1 €       | -708,4 €   | -1.298,9 €                  | 0 €           | -1.298,9 €     | -1.108,6 € | 400,2 €     | 60 €       |
| 9   | 0 €                                     | -64,1 €          | -906,5 €       | 123,9 €       | -846,7 €       | -708,4 €   | -1.324,9 €                  | 0 €           | -1.324,9 €     | -1.108,6 € | 400,2 €     | 460,6 €    |
| 10  | -632,7 €                                | -65,3 €          | -924,6 €       | 126,4 €       | -1.496,2 €     | -1.227,4 € | -1.351,4 €                  | 0 €           | -1.351,4 €     | -1.108,6 € | -118,8 €    | 341,8 €    |
| 11  | 0 €                                     | -66,6 €          | -943,1 €       | 128,9 €       | -880,9 €       | -708,4 €   | -1.378,4 €                  | 0 €           | -1.378,4 €     | -1.108,6 € | 400,2 €     | 742,0 €    |
| 12  | 0 €                                     | -68 €            | -962 €         | 131,5 €       | -898,5 €       | -708,4 €   | -1.406 €                    | 0 €           | -1.406 €       | -1.108,6 € | 400,2 €     | 1.142,2 €  |
| 13  | 0 €                                     | -69,3 €          | -981,2 €       | 134,1 €       | -916,4 €       | -708,4 €   | -1.434,1 €                  | 0 €           | -1.434,1 €     | -1.108,6 € | 400,2 €     | 1.542,4 €  |
| 14  | 0 €                                     | -70,7 €          | -1.000,9 €     | 136,8 €       | -934,8 €       | -708,4 €   | -1.462,8 €                  | 0 €           | -1.462,8 €     | -1.108,6 € | 400,2 €     | 1.943 €    |
| 15  | 0 €                                     | -72,1 €          | -1.020,9 €     | 139,5 €       | -953,5 €       | -708,4 €   | -1.492,1 €                  | 0 €           | -1.492,1 €     | -1.108,6 € | 400,2 €     | 2.342,8 €  |
| 16  | 0 €                                     | -73,6 €          | -1.041,3 €     | 142,3 €       | -972,5 €       | -708,4 €   | -1.521,9 €                  | 0 €           | -1.521,9 €     | -1.108,6 € | 400,2 €     | 2.743,0 €  |
| 17  | 0 €                                     | -75,1 €          | -1.062,1 €     | 145,2 €       | -992 €         | -708,4 €   | -1.552,3 €                  | 0 €           | -1.552,3 €     | -1.108,6 € | 400,2 €     | 3.143,2 €  |
| 18  | 0 €                                     | -76,6 €          | -1.083,4 €     | 148,1 €       | -1.011,8 €     | -708,4 €   | -1.583,4 €                  | 0 €           | -1.583,4 €     | -1.108,6 € | 400,2 €     | 3.543,4 €  |
| 19  | 0 €                                     | -78,1 €          | -1.105 €       | 151 €         | -1.032,1 €     | -708,4 €   | -1.615 €                    | 0 €           | -1.615 €       | -1.108,6 € | 400,2 €     | 3.943,6 €  |
| 20  | -771,2 €                                | -79,6 €          | -1.127,1 €     | 154,1 €       | -1.823,9 €     | -1.227,4 € | -1.647,3 €                  | 0 €           | -1.647,3 €     | -1.108,6 € | -118,8 €    | 3.824,8 €  |
| 21  | 0 €                                     | -81,2 €          | -1.149,7 €     | 157,1 €       | -1.073,8 €     | -708,4 €   | -1.680,3 €                  | 0 €           | -1.680,3 €     | -1.108,6 € | 400,2 €     | 4.225,0 €  |
| 22  | 0 €                                     | -82,9 €          | -1.172,7 €     | 160,3 €       | -1.095,2 €     | -708,4 €   | -1.713,9 €                  | 0 €           | -1.713,9 €     | -1.108,6 € | 400,2 €     | 4.625,2 €  |
| 23  | 0 €                                     | -84,5 €          | -1.196,1 €     | 163,5 €       | -1.117,1 €     | -708,4 €   | -1.748,2 €                  | 0 €           | -1.748,2 €     | -1.108,6 € | 400,2 €     | 5.025,4 €  |
| 24  | 0 €                                     | -86,2 €          | -1.220 €       | 166,8 €       | -1.139,5 €     | -708,4 €   | -1.783,1 €                  | 0 €           | -1.783,1 €     | -1.108,6 € | 400,2 €     | 5.425,6 €  |
| 25  | 425,7 €                                 | -87,9 €          | -1.244,4 €     | 170,1 €       | -736,5 €       | -448,9 €   | -1.818,8 €                  | 0 €           | -1.818,8 €     | -1.108,6 € | 659,7 €     | 6.085,3 €  |

VAN 21.630,8 €

PAYBACK 7 años

AHORRO 6.085,3 €

LCOE 0,18 €/kWh

### 13. Instalación Depreciación 10% del kWp Sevilla

| AÑO | INSTALACION AUTOCONSUMO CONECTADA A RED |                  |                |               |                |            | INSTALACION SIN AUTOCONSUMO |               |                |            | COMPARATIVA |            |
|-----|-----------------------------------------|------------------|----------------|---------------|----------------|------------|-----------------------------|---------------|----------------|------------|-------------|------------|
|     | COSTES INSTALACION                      | C. MANTENIMIENTO | COMPRA ENERGIA | VENTA ENERGIA | FLUJOS DE CAJA | VAN        | COMPRA ENERGIA              | VENTA ENERGIA | FLUJOS DE CAJA | VAN        | AHORRO      | BALANCE    |
| 0   | -4.039,5 €                              | 0 €              | 0 €            | 0 €           | -4.039,5 €     | -4.039,5 € | 0 €                         | 0 €           | 0 €            | 0 €        | -4.039,5 €  | -4.039,5 € |
| 1   | 0 €                                     | -54,7 €          | -740,7 €       | 107,8 €       | -687,6 €       | -674,1 €   | -1.130,8 €                  | 0 €           | -1.130,8 €     | -1.108,6 € | 434,5 €     | -3.605,0 € |
| 2   | 0 €                                     | -55,8 €          | -755,5 €       | 109,9 €       | -701,3 €       | -674,1 €   | -1.153,4 €                  | 0 €           | -1.153,4 €     | -1.108,6 € | 434,5 €     | -3.170,5 € |
| 3   | 0 €                                     | -56,9 €          | -770,6 €       | 112,1 €       | -715,3 €       | -674,1 €   | -1.176,5 €                  | 0 €           | -1.176,5 €     | -1.108,6 € | 434,5 €     | -2.736 €   |
| 4   | 0 €                                     | -58 €            | -786 €         | 114,4 €       | -729,7 €       | -674,1 €   | -1.200 €                    | 0 €           | -1.200 €       | -1.108,6 € | 434,5 €     | -2.301,5 € |
| 5   | 0 €                                     | -59,2 €          | -801,7 €       | 116,6 €       | -744,2 €       | -674,1 €   | -1.224 €                    | 0 €           | -1.224 €       | -1.108,6 € | 434,5 €     | -1.867,0 € |
| 6   | 0 €                                     | -60,4 €          | -817,7 €       | 119 €         | -759,1 €       | -674,1 €   | -1.248,5 €                  | 0 €           | -1.248,5 €     | -1.108,6 € | 434,5 €     | -1.432,5 € |
| 7   | 0 €                                     | -61,6 €          | -834,1 €       | 121,4 €       | -774,3 €       | -674,1 €   | -1.273,5 €                  | 0 €           | -1.273,5 €     | -1.108,6 € | 434,5 €     | -998,0 €   |
| 8   | 0 €                                     | -62,8 €          | -850,8 €       | 123,8 €       | -789,8 €       | -674,1 €   | -1.298,9 €                  | 0 €           | -1.298,9 €     | -1.108,6 € | 434,5 €     | -564 €     |
| 9   | 0 €                                     | -64,1 €          | -867,8 €       | 126,3 €       | -805,6 €       | -674,1 €   | -1.324,9 €                  | 0 €           | -1.324,9 €     | -1.108,6 € | 434,5 €     | -129,0 €   |
| 10  | -814,3 €                                | -65,3 €          | -885,1 €       | 128,8 €       | -1.636 €       | -1.342,1 € | -1.351,4 €                  | 0 €           | -1.351,4 €     | -1.108,6 € | -233,5 €    | -362,5 €   |
| 11  | 0 €                                     | -66,6 €          | -902,9 €       | 131,4 €       | -838,1 €       | -674,1 €   | -1.378,4 €                  | 0 €           | -1.378,4 €     | -1.108,6 € | 434,5 €     | 72,0 €     |
| 12  | 0 €                                     | -68 €            | -920,9 €       | 134 €         | -854,9 €       | -674,1 €   | -1.406 €                    | 0 €           | -1.406 €       | -1.108,6 € | 434,5 €     | 506,5 €    |
| 13  | 0 €                                     | -69,3 €          | -939,3 €       | 136,7 €       | -872 €         | -674,1 €   | -1.434,1 €                  | 0 €           | -1.434,1 €     | -1.108,6 € | 434,5 €     | 941,0 €    |
| 14  | 0 €                                     | -70,7 €          | -958,1 €       | 139,4 €       | -889,4 €       | -674,1 €   | -1.462,8 €                  | 0 €           | -1.462,8 €     | -1.108,6 € | 434,5 €     | 1.376 €    |
| 15  | 0 €                                     | -72,1 €          | -977,3 €       | 142,2 €       | -907,2 €       | -674,1 €   | -1.492,1 €                  | 0 €           | -1.492,1 €     | -1.108,6 € | 434,5 €     | 1.810,0 €  |
| 16  | 0 €                                     | -73,6 €          | -996,8 €       | 145 €         | -925,4 €       | -674,1 €   | -1.521,9 €                  | 0 €           | -1.521,9 €     | -1.108,6 € | 434,5 €     | 2.244,5 €  |
| 17  | 0 €                                     | -75,1 €          | -1.016,8 €     | 147,9 €       | -943,9 €       | -674,1 €   | -1.552,3 €                  | 0 €           | -1.552,3 €     | -1.108,6 € | 434,5 €     | 2.679,0 €  |
| 18  | 0 €                                     | -76,6 €          | -1.037,1 €     | 150,9 €       | -962,8 €       | -674,1 €   | -1.583,4 €                  | 0 €           | -1.583,4 €     | -1.108,6 € | 434,5 €     | 3.113,5 €  |
| 19  | 0 €                                     | -78,1 €          | -1.057,8 €     | 153,9 €       | -982 €         | -674,1 €   | -1.615 €                    | 0 €           | -1.615 €       | -1.108,6 € | 434,5 €     | 3.548,0 €  |
| 20  | -992,6 €                                | -79,6 €          | -1.079 €       | 157 €         | -1.994,3 €     | -1.342,1 € | -1.647,3 €                  | 0 €           | -1.647,3 €     | -1.108,6 € | -233,5 €    | 3.314,5 €  |
| 21  | 0 €                                     | -81,2 €          | -1.100,6 €     | 160,1 €       | -1.021,7 €     | -674,1 €   | -1.680,3 €                  | 0 €           | -1.680,3 €     | -1.108,6 € | 434,5 €     | 3.749,0 €  |
| 22  | 0 €                                     | -82,9 €          | -1.122,6 €     | 163,3 €       | -1.042,1 €     | -674,1 €   | -1.713,9 €                  | 0 €           | -1.713,9 €     | -1.108,6 € | 434,5 €     | 4.183,5 €  |
| 23  | 0 €                                     | -84,5 €          | -1.145 €       | 166,6 €       | -1.063 €       | -674,1 €   | -1.748,2 €                  | 0 €           | -1.748,2 €     | -1.108,6 € | 434,5 €     | 4.618,0 €  |
| 24  | 0 €                                     | -86,2 €          | -1.167,9 €     | 169,9 €       | -1.084,2 €     | -674,1 €   | -1.783,1 €                  | 0 €           | -1.783,1 €     | -1.108,6 € | 434,5 €     | 5.052,5 €  |
| 25  | 548,0 €                                 | -87,9 €          | -1.191,3 €     | 173,3 €       | -557,9 €       | -340,1 €   | -1.818,8 €                  | 0 €           | -1.818,8 €     | -1.108,6 € | 768,5 €     | 5.821,0 €  |

VAN 21.893,7 €

PAYBACK 10 años

AHORRO 5.821,0 €

LCOE 0,19 €/kWh

### 14. Instalación Depreciación 20% del kWp Sevilla

| AÑO | INSTALACION AUTOCONSUMO CONECTADA A RED |                  |                |               |                |            | INSTALACION SIN AUTOCONSUMO |               |                |            | COMPARATIVA |            |
|-----|-----------------------------------------|------------------|----------------|---------------|----------------|------------|-----------------------------|---------------|----------------|------------|-------------|------------|
|     | COSTES INSTALACION                      | C, MANTENIMIENTO | COMPRA ENERGIA | VENTA ENERGIA | FLUJOS DE CAJA | VAN        | COMPRA ENERGIA              | VENTA ENERGIA | FLUJOS DE CAJA | VAN        | AHORRO      | BALANCE    |
| 0   | -3.590,3 €                              | 0 €              | 0 €            | 0 €           | -3.590,3 €     | -3.590,3 € | 0 €                         | 0 €           | 0 €            | 0 €        | -3.590,3 €  | -3.590,3 € |
| 1   | 0 €                                     | -54,7 €          | -740,7 €       | 107,8 €       | -687,6 €       | -674,1 €   | -1.130,8 €                  | 0 €           | -1.130,8 €     | -1.108,6 € | 434,5 €     | -3.155,8 € |
| 2   | 0 €                                     | -55,8 €          | -755,5 €       | 109,9 €       | -701,3 €       | -674,1 €   | -1.153,4 €                  | 0 €           | -1.153,4 €     | -1.108,6 € | 434,5 €     | -2.721,3 € |
| 3   | 0 €                                     | -56,9 €          | -770,6 €       | 112,1 €       | -715,3 €       | -674,1 €   | -1.176,5 €                  | 0 €           | -1.176,5 €     | -1.108,6 € | 434,5 €     | -2.287 €   |
| 4   | 0 €                                     | -58 €            | -786 €         | 114,4 €       | -729,7 €       | -674,1 €   | -1.200 €                    | 0 €           | -1.200 €       | -1.108,6 € | 434,5 €     | -1.852,3 € |
| 5   | 0 €                                     | -59,2 €          | -801,7 €       | 116,6 €       | -744,2 €       | -674,1 €   | -1.224 €                    | 0 €           | -1.224 €       | -1.108,6 € | 434,5 €     | -1.417,8 € |
| 6   | 0 €                                     | -60,4 €          | -817,7 €       | 119 €         | -759,1 €       | -674,1 €   | -1.248,5 €                  | 0 €           | -1.248,5 €     | -1.108,6 € | 434,5 €     | -983,3 €   |
| 7   | 0 €                                     | -61,6 €          | -834,1 €       | 121,4 €       | -774,3 €       | -674,1 €   | -1.273,5 €                  | 0 €           | -1.273,5 €     | -1.108,6 € | 434,5 €     | -548,8 €   |
| 8   | 0 €                                     | -62,8 €          | -850,8 €       | 123,8 €       | -789,8 €       | -674,1 €   | -1.298,9 €                  | 0 €           | -1.298,9 €     | -1.108,6 € | 434,5 €     | -114 €     |
| 9   | 0 €                                     | -64,1 €          | -867,8 €       | 126,3 €       | -805,6 €       | -674,1 €   | -1.324,9 €                  | 0 €           | -1.324,9 €     | -1.108,6 € | 434,5 €     | 320,2 €    |
| 10  | -724,1 €                                | -65,3 €          | -885,1 €       | 128,8 €       | -1.545,8 €     | -1.268,1 € | -1.351,4 €                  | 0 €           | -1.351,4 €     | -1.108,6 € | -159,5 €    | 160,7 €    |
| 11  | 0 €                                     | -66,6 €          | -902,9 €       | 131,4 €       | -838,1 €       | -674,1 €   | -1.378,4 €                  | 0 €           | -1.378,4 €     | -1.108,6 € | 434,5 €     | 595,2 €    |
| 12  | 0 €                                     | -68 €            | -920,9 €       | 134 €         | -854,9 €       | -674,1 €   | -1.406 €                    | 0 €           | -1.406 €       | -1.108,6 € | 434,5 €     | 1.029,7 €  |
| 13  | 0 €                                     | -69,3 €          | -939,3 €       | 136,7 €       | -872 €         | -674,1 €   | -1.434,1 €                  | 0 €           | -1.434,1 €     | -1.108,6 € | 434,5 €     | 1.464,2 €  |
| 14  | 0 €                                     | -70,7 €          | -958,1 €       | 139,4 €       | -889,4 €       | -674,1 €   | -1.462,8 €                  | 0 €           | -1.462,8 €     | -1.108,6 € | 434,5 €     | 1.899 €    |
| 15  | 0 €                                     | -72,1 €          | -977,3 €       | 142,2 €       | -907,2 €       | -674,1 €   | -1.492,1 €                  | 0 €           | -1.492,1 €     | -1.108,6 € | 434,5 €     | 2.333,2 €  |
| 16  | 0 €                                     | -73,6 €          | -996,8 €       | 145 €         | -925,4 €       | -674,1 €   | -1.521,9 €                  | 0 €           | -1.521,9 €     | -1.108,6 € | 434,5 €     | 2.767,7 €  |
| 17  | 0 €                                     | -75,1 €          | -1.016,8 €     | 147,9 €       | -943,9 €       | -674,1 €   | -1.552,3 €                  | 0 €           | -1.552,3 €     | -1.108,6 € | 434,5 €     | 3.202,2 €  |
| 18  | 0 €                                     | -76,6 €          | -1.037,1 €     | 150,9 €       | -962,8 €       | -674,1 €   | -1.583,4 €                  | 0 €           | -1.583,4 €     | -1.108,6 € | 434,5 €     | 3.636,7 €  |
| 19  | 0 €                                     | -78,1 €          | -1.057,8 €     | 153,9 €       | -982 €         | -674,1 €   | -1.615 €                    | 0 €           | -1.615 €       | -1.108,6 € | 434,5 €     | 4.071,2 €  |
| 20  | -882,7 €                                | -79,6 €          | -1.079 €       | 157 €         | -1.884,3 €     | -1.268,1 € | -1.647,3 €                  | 0 €           | -1.647,3 €     | -1.108,6 € | -159,5 €    | 3.911,7 €  |
| 21  | 0 €                                     | -81,2 €          | -1.100,6 €     | 160,1 €       | -1.021,7 €     | -674,1 €   | -1.680,3 €                  | 0 €           | -1.680,3 €     | -1.108,6 € | 434,5 €     | 4.346,2 €  |
| 22  | 0 €                                     | -82,9 €          | -1.122,6 €     | 163,3 €       | -1.042,1 €     | -674,1 €   | -1.713,9 €                  | 0 €           | -1.713,9 €     | -1.108,6 € | 434,5 €     | 4.780,7 €  |
| 23  | 0 €                                     | -84,5 €          | -1.145 €       | 166,6 €       | -1.063 €       | -674,1 €   | -1.748,2 €                  | 0 €           | -1.748,2 €     | -1.108,6 € | 434,5 €     | 5.215,2 €  |
| 24  | 0 €                                     | -86,2 €          | -1.167,9 €     | 169,9 €       | -1.084,2 €     | -674,1 €   | -1.783,1 €                  | 0 €           | -1.783,1 €     | -1.108,6 € | 434,5 €     | 5.649,7 €  |
| 25  | 487,3 €                                 | -87,9 €          | -1.191,3 €     | 173,3 €       | -618,7 €       | -377,1 €   | -1.818,8 €                  | 0 €           | -1.818,8 €     | -1.108,6 € | 731,5 €     | 6.381,2 €  |

VAN 21.333,5 €

PAYBACK 8 años

AHORRO 6.381,2 €

LCOE 0,18 €/kWh

### 15. Instalación Depreciación 30% del kWp Sevilla

| AÑO | INSTALACION AUTOCONSUMO CONECTADA A RED |                  |                |               |                |            | INSTALACION SIN AUTOCONSUMO |               |                |            | COMPARATIVA |            |
|-----|-----------------------------------------|------------------|----------------|---------------|----------------|------------|-----------------------------|---------------|----------------|------------|-------------|------------|
|     | COSTES INSTALACION                      | C, MANTENIMIENTO | COMPRA ENERGIA | VENTA ENERGIA | FLUJOS DE CAJA | VAN        | COMPRA ENERGIA              | VENTA ENERGIA | FLUJOS DE CAJA | VAN        | AHORRO      | BALANCE    |
| 0   | -3.141,2 €                              | 0 €              | 0 €            | 0 €           | -3.141,2 €     | -3.141,2 € | 0 €                         | 0 €           | 0 €            | 0 €        | -3.141,2 €  | -3.141,2 € |
| 1   | 0 €                                     | -54,7 €          | -741,3 €       | 107,7 €       | -688,2 €       | -674,7 €   | -1.130,8 €                  | 0 €           | -1.130,8 €     | -1.108,6 € | 433,9 €     | -2.707,3 € |
| 2   | 0 €                                     | -55,8 €          | -756,1 €       | 109,9 €       | -702 €         | -674,7 €   | -1.153,4 €                  | 0 €           | -1.153,4 €     | -1.108,6 € | 433,9 €     | -2.273,4 € |
| 3   | 0 €                                     | -56,9 €          | -771,2 €       | 112,1 €       | -716 €         | -674,7 €   | -1.176,5 €                  | 0 €           | -1.176,5 €     | -1.108,6 € | 433,9 €     | -1.840 €   |
| 4   | 0 €                                     | -58 €            | -786,6 €       | 114,3 €       | -730,3 €       | -674,7 €   | -1.200 €                    | 0 €           | -1.200 €       | -1.108,6 € | 433,9 €     | -1.405,6 € |
| 5   | 0 €                                     | -59,2 €          | -802,4 €       | 116,6 €       | -744,9 €       | -674,7 €   | -1.224 €                    | 0 €           | -1.224 €       | -1.108,6 € | 433,9 €     | -971,7 €   |
| 6   | 0 €                                     | -60,4 €          | -818,4 €       | 118,9 €       | -759,8 €       | -674,7 €   | -1.248,5 €                  | 0 €           | -1.248,5 €     | -1.108,6 € | 433,9 €     | -537,8 €   |
| 7   | 0 €                                     | -61,6 €          | -834,8 €       | 121,3 €       | -775 €         | -674,7 €   | -1.273,5 €                  | 0 €           | -1.273,5 €     | -1.108,6 € | 433,9 €     | -103,9 €   |
| 8   | 0 €                                     | -62,8 €          | -851,5 €       | 123,7 €       | -790,5 €       | -674,7 €   | -1.298,9 €                  | 0 €           | -1.298,9 €     | -1.108,6 € | 433,9 €     | 330 €      |
| 9   | 0 €                                     | -64,1 €          | -868,5 €       | 126,2 €       | -806,4 €       | -674,7 €   | -1.324,9 €                  | 0 €           | -1.324,9 €     | -1.108,6 € | 433,9 €     | 763,9 €    |
| 10  | -632,7 €                                | -65,3 €          | -885,9 €       | 128,7 €       | -1.455,1 €     | -1.193,7 € | -1.351,4 €                  | 0 €           | -1.351,4 €     | -1.108,6 € | -85,1 €     | 678,8 €    |
| 11  | 0 €                                     | -66,6 €          | -903,6 €       | 131,3 €       | -838,9 €       | -674,7 €   | -1.378,4 €                  | 0 €           | -1.378,4 €     | -1.108,6 € | 433,9 €     | 1.112,7 €  |
| 12  | 0 €                                     | -68 €            | -921,7 €       | 133,9 €       | -855,7 €       | -674,7 €   | -1.406 €                    | 0 €           | -1.406 €       | -1.108,6 € | 433,9 €     | 1.546,6 €  |
| 13  | 0 €                                     | -69,3 €          | -940,1 €       | 136,6 €       | -872,8 €       | -674,7 €   | -1.434,1 €                  | 0 €           | -1.434,1 €     | -1.108,6 € | 433,9 €     | 1.980,5 €  |
| 14  | 0 €                                     | -70,7 €          | -958,9 €       | 139,4 €       | -890,3 €       | -674,7 €   | -1.462,8 €                  | 0 €           | -1.462,8 €     | -1.108,6 € | 433,9 €     | 2.414 €    |
| 15  | 0 €                                     | -72,1 €          | -978,1 €       | 142,1 €       | -908,1 €       | -674,7 €   | -1.492,1 €                  | 0 €           | -1.492,1 €     | -1.108,6 € | 433,9 €     | 2.848,3 €  |
| 16  | 0 €                                     | -73,6 €          | -997,7 €       | 145 €         | -926,2 €       | -674,7 €   | -1.521,9 €                  | 0 €           | -1.521,9 €     | -1.108,6 € | 433,9 €     | 3.282,2 €  |
| 17  | 0 €                                     | -75,1 €          | -1.017,6 €     | 147,9 €       | -944,8 €       | -674,7 €   | -1.552,3 €                  | 0 €           | -1.552,3 €     | -1.108,6 € | 433,9 €     | 3.716,1 €  |
| 18  | 0 €                                     | -76,6 €          | -1.038 €       | 150,8 €       | -963,7 €       | -674,7 €   | -1.583,4 €                  | 0 €           | -1.583,4 €     | -1.108,6 € | 433,9 €     | 4.150,0 €  |
| 19  | 0 €                                     | -78,1 €          | -1.058,7 €     | 153,9 €       | -982,9 €       | -674,7 €   | -1.615 €                    | 0 €           | -1.615 €       | -1.108,6 € | 433,9 €     | 4.583,9 €  |
| 20  | -771,2 €                                | -79,6 €          | -1.079,9 €     | 156,9 €       | -1.773,8 €     | -1.193,7 € | -1.647,3 €                  | 0 €           | -1.647,3 €     | -1.108,6 € | -85,1 €     | 4.498,8 €  |
| 21  | 0 €                                     | -81,2 €          | -1.101,5 €     | 160,1 €       | -1.022,7 €     | -674,7 €   | -1.680,3 €                  | 0 €           | -1.680,3 €     | -1.108,6 € | 433,9 €     | 4.932,7 €  |
| 22  | 0 €                                     | -82,9 €          | -1.123,5 €     | 163,3 €       | -1.043,1 €     | -674,7 €   | -1.713,9 €                  | 0 €           | -1.713,9 €     | -1.108,6 € | 433,9 €     | 5.366,6 €  |
| 23  | 0 €                                     | -84,5 €          | -1.146 €       | 166,5 €       | -1.064 €       | -674,7 €   | -1.748,2 €                  | 0 €           | -1.748,2 €     | -1.108,6 € | 433,9 €     | 5.800,5 €  |
| 24  | 0 €                                     | -86,2 €          | -1.168,9 €     | 169,9 €       | -1.085,2 €     | -674,7 €   | -1.783,1 €                  | 0 €           | -1.783,1 €     | -1.108,6 € | 433,9 €     | 6.234,4 €  |
| 25  | 425,7 €                                 | -87,9 €          | -1.192,3 €     | 173,3 €       | -681,2 €       | -415,2 €   | -1.818,8 €                  | 0 €           | -1.818,8 €     | -1.108,6 € | 693,4 €     | 6.927,8 €  |

VAN 20.787,7 €

PAYBACK 7 años

AHORRO 6.927,8 €

LCOE 0,18 €/kWh

**16. Instalación Depreciación 10% del kWp Bilbao**

| AÑO | INSTALACION AUTOCONSUMO CONECTADA A RED |                  |                |               |                |            | INSTALACION SIN AUTOCONSUMO |               |                |            | COMPARATIVA |            |
|-----|-----------------------------------------|------------------|----------------|---------------|----------------|------------|-----------------------------|---------------|----------------|------------|-------------|------------|
|     | COSTES INSTALACION                      | C, MANTENIMIENTO | COMPRA ENERGIA | VENTA ENERGIA | FLUJOS DE CAJA | VAN        | COMPRA ENERGIA              | VENTA ENERGIA | FLUJOS DE CAJA | VAN        | AHORRO      | BALANCE    |
| 0   | -4.884,1 €                              | 0 €              | 0 €            | 0 €           | -4.884,1 €     | -4.884,1 € | 0 €                         | 0 €           | 0 €            | 0 €        | -4.884,1 €  | -4.884,1 € |
| 1   | 0 €                                     | -61,6 €          | -777,4 €       | 122,4 €       | -716,5 €       | -702,5 €   | -1.130,8 €                  | 0 €           | -1.130,8 €     | -1.108,6 € | 406,1 €     | -4.478,0 € |
| 2   | 0 €                                     | -62,8 €          | -792,9 €       | 124,9 €       | -730,9 €       | -702,5 €   | -1.153,4 €                  | 0 €           | -1.153,4 €     | -1.108,6 € | 406,1 €     | -4.071,9 € |
| 3   | 0 €                                     | -64,1 €          | -808,8 €       | 127,4 €       | -745,5 €       | -702,5 €   | -1.176,5 €                  | 0 €           | -1.176,5 €     | -1.108,6 € | 406,1 €     | -3.666 €   |
| 4   | 0 €                                     | -65,4 €          | -824,9 €       | 129,9 €       | -760,4 €       | -702,5 €   | -1.200 €                    | 0 €           | -1.200 €       | -1.108,6 € | 406,1 €     | -3.259,7 € |
| 5   | 0 €                                     | -66,7 €          | -841,4 €       | 132,5 €       | -775,6 €       | -702,5 €   | -1.224 €                    | 0 €           | -1.224 €       | -1.108,6 € | 406,1 €     | -2.853,6 € |
| 6   | 0 €                                     | -68 €            | -858,3 €       | 135,2 €       | -791,1 €       | -702,5 €   | -1.248,5 €                  | 0 €           | -1.248,5 €     | -1.108,6 € | 406,1 €     | -2.447,5 € |
| 7   | 0 €                                     | -69,4 €          | -875,4 €       | 137,9 €       | -806,9 €       | -702,5 €   | -1.273,5 €                  | 0 €           | -1.273,5 €     | -1.108,6 € | 406,1 €     | -2.041,4 € |
| 8   | 0 €                                     | -70,8 €          | -892,9 €       | 140,6 €       | -823,1 €       | -702,5 €   | -1.298,9 €                  | 0 €           | -1.298,9 €     | -1.108,6 € | 406,1 €     | -1.635 €   |
| 9   | 0 €                                     | -72,2 €          | -910,8 €       | 143,5 €       | -839,5 €       | -702,5 €   | -1.324,9 €                  | 0 €           | -1.324,9 €     | -1.108,6 € | 406,1 €     | -1.229,2 € |
| 10  | -814,3 €                                | -73,6 €          | -929 €         | 146,3 €       | -1.670,6 €     | -1.370,5 € | -1.351,4 €                  | 0 €           | -1.351,4 €     | -1.108,6 € | -261,9 €    | -1.491,1 € |
| 11  | 0 €                                     | -75,1 €          | -947,6 €       | 149,3 €       | -873,4 €       | -702,5 €   | -1.378,4 €                  | 0 €           | -1.378,4 €     | -1.108,6 € | 406,1 €     | -1.085,0 € |
| 12  | 0 €                                     | -76,6 €          | -966,6 €       | 152,2 €       | -890,9 €       | -702,5 €   | -1.406 €                    | 0 €           | -1.406 €       | -1.108,6 € | 406,1 €     | -678,9 €   |
| 13  | 0 €                                     | -78,1 €          | -985,9 €       | 155,3 €       | -908,7 €       | -702,5 €   | -1.434,1 €                  | 0 €           | -1.434,1 €     | -1.108,6 € | 406,1 €     | -272,8 €   |
| 14  | 0 €                                     | -79,7 €          | -1.005,6 €     | 158,4 €       | -926,9 €       | -702,5 €   | -1.462,8 €                  | 0 €           | -1.462,8 €     | -1.108,6 € | 406,1 €     | 133 €      |
| 15  | 0 €                                     | -81,3 €          | -1.025,7 €     | 161,6 €       | -945,4 €       | -702,5 €   | -1.492,1 €                  | 0 €           | -1.492,1 €     | -1.108,6 € | 406,1 €     | 539,4 €    |
| 16  | 0 €                                     | -82,9 €          | -1.046,2 €     | 164,8 €       | -964,3 €       | -702,5 €   | -1.521,9 €                  | 0 €           | -1.521,9 €     | -1.108,6 € | 406,1 €     | 945,5 €    |
| 17  | 0 €                                     | -84,6 €          | -1.067,2 €     | 168,1 €       | -983,6 €       | -702,5 €   | -1.552,3 €                  | 0 €           | -1.552,3 €     | -1.108,6 € | 406,1 €     | 1.351,6 €  |
| 18  | 0 €                                     | -86,3 €          | -1.088,5 €     | 171,5 €       | -1.003,3 €     | -702,5 €   | -1.583,4 €                  | 0 €           | -1.583,4 €     | -1.108,6 € | 406,1 €     | 1.757,7 €  |
| 19  | 0 €                                     | -88 €            | -1.110,3 €     | 174,9 €       | -1.023,4 €     | -702,5 €   | -1.615 €                    | 0 €           | -1.615 €       | -1.108,6 € | 406,1 €     | 2.163,8 €  |
| 20  | -992,6 €                                | -89,8 €          | -1.132,5 €     | 178,4 €       | -2.036,5 €     | -1.370,5 € | -1.647,3 €                  | 0 €           | -1.647,3 €     | -1.108,6 € | -261,9 €    | 1.901,9 €  |
| 21  | 0 €                                     | -91,5 €          | -1.155,1 €     | 181,9 €       | -1.064,7 €     | -702,5 €   | -1.680,3 €                  | 0 €           | -1.680,3 €     | -1.108,6 € | 406,1 €     | 2.308,0 €  |
| 22  | 0 €                                     | -93,4 €          | -1.178,2 €     | 185,6 €       | -1.086 €       | -702,5 €   | -1.713,9 €                  | 0 €           | -1.713,9 €     | -1.108,6 € | 406,1 €     | 2.714,1 €  |
| 23  | 0 €                                     | -95,2 €          | -1.201,8 €     | 189,3 €       | -1.107,7 €     | -702,5 €   | -1.748,2 €                  | 0 €           | -1.748,2 €     | -1.108,6 € | 406,1 €     | 3.120,2 €  |
| 24  | 0 €                                     | -97,1 €          | -1.225,8 €     | 193,1 €       | -1.129,9 €     | -702,5 €   | -1.783,1 €                  | 0 €           | -1.783,1 €     | -1.108,6 € | 406,1 €     | 3.526,3 €  |
| 25  | 548,0 €                                 | -99,1 €          | -1.250,3 €     | 196,9 €       | -604,5 €       | -368,5 €   | -1.818,8 €                  | 0 €           | -1.818,8 €     | -1.108,6 € | 740,1 €     | 4.266,4 €  |

VAN 23.448 €

PAYBACK 13 años

AHORRO 4.266,4 €

LCOE 0,2 €/kWh

**17. Instalación Depreciación 20% del kWp Bilbao**

| AÑO | INSTALACION AUTOCONSUMO CONECTADA A RED |                  |                |               |                |            | INSTALACION SIN AUTOCONSUMO |               |                |            | COMPARATIVA |            |
|-----|-----------------------------------------|------------------|----------------|---------------|----------------|------------|-----------------------------|---------------|----------------|------------|-------------|------------|
|     | COSTES INSTALACION                      | C, MANTENIMIENTO | COMPRA ENERGIA | VENTA ENERGIA | FLUJOS DE CAJA | VAN        | COMPRA ENERGIA              | VENTA ENERGIA | FLUJOS DE CAJA | VAN        | AHORRO      | BALANCE    |
| 0   | -3.590,3 €                              | 0 €              | 0 €            | 0 €           | -4.341,1 €     | -4.341,1 € | 0 €                         | 0 €           | 0 €            | 0 €        | -4.341,1 €  | -4.341,1 € |
| 1   | 0 €                                     | -61,6 €          | -777,4 €       | 122,4 €       | -716,5 €       | -702,5 €   | -1.130,8 €                  | 0 €           | -1.130,8 €     | -1.108,6 € | 406,1 €     | -3.935,0 € |
| 2   | 0 €                                     | -62,8 €          | -792,9 €       | 124,9 €       | -730,9 €       | -702,5 €   | -1.153,4 €                  | 0 €           | -1.153,4 €     | -1.108,6 € | 406,1 €     | -3.528,9 € |
| 3   | 0 €                                     | -64,1 €          | -808,8 €       | 127,4 €       | -745,5 €       | -702,5 €   | -1.176,5 €                  | 0 €           | -1.176,5 €     | -1.108,6 € | 406,1 €     | -3.123 €   |
| 4   | 0 €                                     | -65,4 €          | -824,9 €       | 129,9 €       | -760,4 €       | -702,5 €   | -1.200 €                    | 0 €           | -1.200 €       | -1.108,6 € | 406,1 €     | -2.716,7 € |
| 5   | 0 €                                     | -66,7 €          | -841,4 €       | 132,5 €       | -775,6 €       | -702,5 €   | -1.224 €                    | 0 €           | -1.224 €       | -1.108,6 € | 406,1 €     | -2.310,6 € |
| 6   | 0 €                                     | -68 €            | -858,3 €       | 135,2 €       | -791,1 €       | -702,5 €   | -1.248,5 €                  | 0 €           | -1.248,5 €     | -1.108,6 € | 406,1 €     | -1.904,5 € |
| 7   | 0 €                                     | -69,4 €          | -875,4 €       | 137,9 €       | -806,9 €       | -702,5 €   | -1.273,5 €                  | 0 €           | -1.273,5 €     | -1.108,6 € | 406,1 €     | -1.498,4 € |
| 8   | 0 €                                     | -70,8 €          | -892,9 €       | 140,6 €       | -823,1 €       | -702,5 €   | -1.298,9 €                  | 0 €           | -1.298,9 €     | -1.108,6 € | 406,1 €     | -1.092 €   |
| 9   | 0 €                                     | -72,2 €          | -910,8 €       | 143,5 €       | -839,5 €       | -702,5 €   | -1.324,9 €                  | 0 €           | -1.324,9 €     | -1.108,6 € | 406,1 €     | -686,2 €   |
| 10  | -724,1 €                                | -73,6 €          | -929 €         | 146,3 €       | -1.580,4 €     | -1.296,5 € | -1.351,4 €                  | 0 €           | -1.351,4 €     | -1.108,6 € | -187,9 €    | -874,1 €   |
| 11  | 0 €                                     | -75,1 €          | -947,6 €       | 149,3 €       | -873,4 €       | -702,5 €   | -1.378,4 €                  | 0 €           | -1.378,4 €     | -1.108,6 € | 406,1 €     | -468,0 €   |
| 12  | 0 €                                     | -76,6 €          | -966,6 €       | 152,2 €       | -890,9 €       | -702,5 €   | -1.406 €                    | 0 €           | -1.406 €       | -1.108,6 € | 406,1 €     | -61,9 €    |
| 13  | 0 €                                     | -78,1 €          | -985,9 €       | 155,3 €       | -908,7 €       | -702,5 €   | -1.434,1 €                  | 0 €           | -1.434,1 €     | -1.108,6 € | 406,1 €     | 344,2 €    |
| 14  | 0 €                                     | -79,7 €          | -1.005,6 €     | 158,4 €       | -926,9 €       | -702,5 €   | -1.462,8 €                  | 0 €           | -1.462,8 €     | -1.108,6 € | 406,1 €     | 750 €      |
| 15  | 0 €                                     | -81,3 €          | -1.025,7 €     | 161,6 €       | -945,4 €       | -702,5 €   | -1.492,1 €                  | 0 €           | -1.492,1 €     | -1.108,6 € | 406,1 €     | 1.156,4 €  |
| 16  | 0 €                                     | -82,9 €          | -1.046,2 €     | 164,8 €       | -964,3 €       | -702,5 €   | -1.521,9 €                  | 0 €           | -1.521,9 €     | -1.108,6 € | 406,1 €     | 1.562,5 €  |
| 17  | 0 €                                     | -84,6 €          | -1.067,2 €     | 168,1 €       | -983,6 €       | -702,5 €   | -1.552,3 €                  | 0 €           | -1.552,3 €     | -1.108,6 € | 406,1 €     | 1.968,6 €  |
| 18  | 0 €                                     | -86,3 €          | -1.088,5 €     | 171,5 €       | -1.003,3 €     | -702,5 €   | -1.583,4 €                  | 0 €           | -1.583,4 €     | -1.108,6 € | 406,1 €     | 2.374,7 €  |
| 19  | 0 €                                     | -88 €            | -1.110,3 €     | 174,9 €       | -1.023,4 €     | -702,5 €   | -1.615 €                    | 0 €           | -1.615 €       | -1.108,6 € | 406,1 €     | 2.780,8 €  |
| 20  | -882,7 €                                | -89,8 €          | -1.132,5 €     | 178,4 €       | -1.926,5 €     | -1.296,5 € | -1.647,3 €                  | 0 €           | -1.647,3 €     | -1.108,6 € | -187,9 €    | 2.592,9 €  |
| 21  | 0 €                                     | -91,5 €          | -1.155,1 €     | 181,9 €       | -1.064,7 €     | -702,5 €   | -1.680,3 €                  | 0 €           | -1.680,3 €     | -1.108,6 € | 406,1 €     | 2.999,0 €  |
| 22  | 0 €                                     | -93,4 €          | -1.178,2 €     | 185,6 €       | -1.086 €       | -702,5 €   | -1.713,9 €                  | 0 €           | -1.713,9 €     | -1.108,6 € | 406,1 €     | 3.405,1 €  |
| 23  | 0 €                                     | -95,2 €          | -1.201,8 €     | 189,3 €       | -1.107,7 €     | -702,5 €   | -1.748,2 €                  | 0 €           | -1.748,2 €     | -1.108,6 € | 406,1 €     | 3.811,2 €  |
| 24  | 0 €                                     | -97,1 €          | -1.225,8 €     | 193,1 €       | -1.129,9 €     | -702,5 €   | -1.783,1 €                  | 0 €           | -1.783,1 €     | -1.108,6 € | 406,1 €     | 4.217,3 €  |
| 25  | 487,3 €                                 | -99,1 €          | -1.250,3 €     | 196,9 €       | -665,2 €       | -405,5 €   | -1.818,8 €                  | 0 €           | -1.818,8 €     | -1.108,6 € | 703,1 €     | 4.920,4 €  |

VAN 22.794 €

PAYBACK 12 años

AHORRO 4.920,4 €

LCOE 0,19 €/kWh

### 18. Instalación Depreciación 30% del kWp Bilbao

| AÑO | INSTALACION AUTOCONSUMO CONECTADA A RED |                  |                |               |                |            | INSTALACION SIN AUTOCONSUMO |               |                |            | COMPARATIVA |            |
|-----|-----------------------------------------|------------------|----------------|---------------|----------------|------------|-----------------------------|---------------|----------------|------------|-------------|------------|
|     | COSTES INSTALACION                      | C, MANTENIMIENTO | COMPRA ENERGIA | VENTA ENERGIA | FLUJOS DE CAJA | VAN        | COMPRA ENERGIA              | VENTA ENERGIA | FLUJOS DE CAJA | VAN        | AHORRO      | BALANCE    |
| 0   | -3.798 €                                | 0 €              | 0 €            | 0 €           | -3.798 €       | -3.798 €   | 0 €                         | 0 €           | 0 €            | 0 €        | -3.798,0 €  | -3.798,0 € |
| 1   | 0 €                                     | -61,6 €          | -782,3 €       | 121,1 €       | -722,8 €       | -708,6 €   | -1.130,8 €                  | 0 €           | -1.130,8 €     | -1.108,6 € | 400,0 €     | -3.398,0 € |
| 2   | 0 €                                     | -62,8 €          | -797,9 €       | 123,5 €       | -737,2 €       | -708,6 €   | -1.153,4 €                  | 0 €           | -1.153,4 €     | -1.108,6 € | 400,0 €     | -2.998,0 € |
| 3   | 0 €                                     | -64,1 €          | -813,9 €       | 126 €         | -752 €         | -708,6 €   | -1.176,5 €                  | 0 €           | -1.176,5 €     | -1.108,6 € | 400,0 €     | -2.598 €   |
| 4   | 0 €                                     | -65,4 €          | -830,1 €       | 128,5 €       | -767 €         | -708,6 €   | -1.200 €                    | 0 €           | -1.200 €       | -1.108,6 € | 400,0 €     | -2.198,0 € |
| 5   | 0 €                                     | -66,7 €          | -846,7 €       | 131,1 €       | -782,3 €       | -708,6 €   | -1.224 €                    | 0 €           | -1.224 €       | -1.108,6 € | 400,0 €     | -1.798,0 € |
| 6   | 0 €                                     | -68 €            | -863,7 €       | 133,7 €       | -798,0 €       | -708,6 €   | -1.248,5 €                  | 0 €           | -1.248,5 €     | -1.108,6 € | 400,0 €     | -1.398,0 € |
| 7   | 0 €                                     | -69,4 €          | -881 €         | 136,4 €       | -813,9 €       | -708,6 €   | -1.273,5 €                  | 0 €           | -1.273,5 €     | -1.108,6 € | 400,0 €     | -998,0 €   |
| 8   | 0 €                                     | -70,8 €          | -898,6 €       | 139,1 €       | -830,2 €       | -708,6 €   | -1.298,9 €                  | 0 €           | -1.298,9 €     | -1.108,6 € | 400,0 €     | -598 €     |
| 9   | 0 €                                     | -72,2 €          | -916,5 €       | 141,9 €       | -846,8 €       | -708,6 €   | -1.324,9 €                  | 0 €           | -1.324,9 €     | -1.108,6 € | 400,0 €     | -198,0 €   |
| 10  | -632,7 €                                | -73,6 €          | -934,9 €       | 144,7 €       | -1.496,4 €     | -1.227,6 € | -1.351,4 €                  | 0 €           | -1.351,4 €     | -1.108,6 € | -119,0 €    | -317,0 €   |
| 11  | 0 €                                     | -75,1 €          | -953,6 €       | 147,6 €       | -881 €         | -708,6 €   | -1.378,4 €                  | 0 €           | -1.378,4 €     | -1.108,6 € | 400,0 €     | 83,0 €     |
| 12  | 0 €                                     | -76,6 €          | -972,6 €       | 150,6 €       | -898,7 €       | -708,6 €   | -1.406 €                    | 0 €           | -1.406 €       | -1.108,6 € | 400,0 €     | 483,0 €    |
| 13  | 0 €                                     | -78,1 €          | -992,1 €       | 153,6 €       | -916,6 €       | -708,6 €   | -1.434,1 €                  | 0 €           | -1.434,1 €     | -1.108,6 € | 400,0 €     | 883,0 €    |
| 14  | 0 €                                     | -79,7 €          | -1.011,9 €     | 156,7 €       | -935 €         | -708,6 €   | -1.462,8 €                  | 0 €           | -1.462,8 €     | -1.108,6 € | 400,0 €     | 1.283 €    |
| 15  | 0 €                                     | -81,3 €          | -1.032,2 €     | 159,8 €       | -953,7 €       | -708,6 €   | -1.492,1 €                  | 0 €           | -1.492,1 €     | -1.108,6 € | 400,0 €     | 1.683,0 €  |
| 16  | 0 €                                     | -82,9 €          | -1.052,8 €     | 163 €         | -972,7 €       | -708,6 €   | -1.521,9 €                  | 0 €           | -1.521,9 €     | -1.108,6 € | 400,0 €     | 2.083,0 €  |
| 17  | 0 €                                     | -84,6 €          | -1.073,9 €     | 166,3 €       | -992,2 €       | -708,6 €   | -1.552,3 €                  | 0 €           | -1.552,3 €     | -1.108,6 € | 400,0 €     | 2.483,0 €  |
| 18  | 0 €                                     | -86,3 €          | -1.095,4 €     | 169,6 €       | -1.012 €       | -708,6 €   | -1.583,4 €                  | 0 €           | -1.583,4 €     | -1.108,6 € | 400,0 €     | 2.883,0 €  |
| 19  | 0 €                                     | -88 €            | -1.117,3 €     | 173,0 €       | -1.032,3 €     | -708,6 €   | -1.615 €                    | 0 €           | -1.615 €       | -1.108,6 € | 400,0 €     | 3.283,0 €  |
| 20  | -771,2 €                                | -89,8 €          | -1.139,6 €     | 176,4 €       | -1.824,1 €     | -1.227,6 € | -1.647,3 €                  | 0 €           | -1.647,3 €     | -1.108,6 € | -119,0 €    | 3.164,0 €  |
| 21  | 0 €                                     | -91,5 €          | -1.162,4 €     | 180 €         | -1.074 €       | -708,6 €   | -1.680,3 €                  | 0 €           | -1.680,3 €     | -1.108,6 € | 400,0 €     | 3.564,0 €  |
| 22  | 0 €                                     | -93,4 €          | -1.185,6 €     | 183,6 €       | -1.095,5 €     | -708,6 €   | -1.713,9 €                  | 0 €           | -1.713,9 €     | -1.108,6 € | 400,0 €     | 3.964,0 €  |
| 23  | 0 €                                     | -95,2 €          | -1.209,4 €     | 187,2 €       | -1.117,4 €     | -708,6 €   | -1.748,2 €                  | 0 €           | -1.748,2 €     | -1.108,6 € | 400,0 €     | 4.364,0 €  |
| 24  | 0 €                                     | -97,1 €          | -1.233,5 €     | 191 €         | -1.139,7 €     | -708,6 €   | -1.783,1 €                  | 0 €           | -1.783,1 €     | -1.108,6 € | 400,0 €     | 4.764,0 €  |
| 25  | 425,7 €                                 | -99,1 €          | -1.258,2 €     | 194,8 €       | -736,8 €       | -449,1 €   | -1.818,8 €                  | 0 €           | -1.818,8 €     | -1.108,6 € | 659,5 €     | 5.423,5 €  |

VAN 22.291,1 €

PAYBACK 10 años

AHORRO 5.423,5 €

LCOE 0,19 €/kWh

**19. Instalación Inflación electricidad 1% Zaragoza**

| AÑO | INSTALACION AUTOCONSUMO CONECTADA A RED |                  |                |               |                |            | INSTALACION SIN AUTOCONSUMO |               |                |            | COMPARATIVA |            |
|-----|-----------------------------------------|------------------|----------------|---------------|----------------|------------|-----------------------------|---------------|----------------|------------|-------------|------------|
|     | COSTES INSTALACION                      | C, MANTENIMIENTO | COMPRA ENERGIA | VENTA ENERGIA | FLUJOS DE CAJA | VAN        | COMPRA ENERGIA              | VENTA ENERGIA | FLUJOS DE CAJA | VAN        | AHORRO      | BALANCE    |
| 0   | -4.487,9 €                              | 0 €              | 0 €            | 0 €           | -4.487,9 €     | -4.487,9 € | 0 €                         | 0 €           | 0 €            | 0 €        | -4.487,9 €  | -4.487,9 € |
| 1   | 0 €                                     | -54,7 €          | -766,1 €       | 104,7 €       | -716,1 €       | -702 €     | -1.119,7 €                  | 0 €           | -1.119,7 €     | -1.097,7 € | 395,7 €     | -4.092,2 € |
| 2   | 0 €                                     | -55,8 €          | -773,8 €       | 105,8 €       | -723,8 €       | -695,7 €   | -1.130,9 €                  | 0 €           | -1.130,9 €     | -1.087 €   | 391,3 €     | -3.700,9 € |
| 3   | 0 €                                     | -56,9 €          | -781,5 €       | 106,8 €       | -731,6 €       | -689,4 €   | -1.142,2 €                  | 0 €           | -1.142,2 €     | -1.076,3 € | 386,9 €     | -3.314 €   |
| 4   | 0 €                                     | -58 €            | -789,3 €       | 107,9 €       | -739,5 €       | -683,1 €   | -1.153,6 €                  | 0 €           | -1.153,6 €     | -1.065,8 € | 382,7 €     | -2.931,3 € |
| 5   | 0 €                                     | -59,2 €          | -797,2 €       | 109 €         | -747,4 €       | -677 €     | -1.165,2 €                  | 0 €           | -1.165,2 €     | -1.055,3 € | 378,3 €     | -2.553,0 € |
| 6   | 0 €                                     | -60,4 €          | -805,2 €       | 110,1 €       | -755,5 €       | -670,9 €   | -1.176,8 €                  | 0 €           | -1.176,8 €     | -1.045 €   | 374,1 €     | -2.178,9 € |
| 7   | 0 €                                     | -61,6 €          | -813,2 €       | 111,2 €       | -763,7 €       | -664,8 €   | -1.188,6 €                  | 0 €           | -1.188,6 €     | -1.034,7 € | 369,9 €     | -1.809,0 € |
| 8   | 0 €                                     | -62,8 €          | -821,4 €       | 112,3 €       | -771,9 €       | -658,8 €   | -1.200,5 €                  | 0 €           | -1.200,5 €     | -1.024,6 € | 365,8 €     | -1.443 €   |
| 9   | 0 €                                     | -64,1 €          | -829,6 €       | 113,4 €       | -780,3 €       | -652,9 €   | -1.212,5 €                  | 0 €           | -1.212,5 €     | -1.014,5 € | 361,6 €     | -1.081,6 € |
| 10  | -904,5 €                                | -65,3 €          | -837,9 €       | 114,5 €       | -1.693,2 €     | -1.389 €   | -1.224,6 €                  | 0 €           | -1.224,6 €     | -1.004,6 € | -384,4 €    | -1.466,0 € |
| 11  | 0 €                                     | -66,6 €          | -846,3 €       | 115,7 €       | -797,2 €       | -641,2 €   | -1.236,8 €                  | 0 €           | -1.236,8 €     | -994,8 €   | 353,6 €     | -1.112,4 € |
| 12  | 0 €                                     | -68 €            | -854,7 €       | 116,8 €       | -805,9 €       | -635,4 €   | -1.249,2 €                  | 0 €           | -1.249,2 €     | -985 €     | 349,6 €     | -762,8 €   |
| 13  | 0 €                                     | -69,3 €          | -863,3 €       | 118 €         | -814,6 €       | -629,7 €   | -1.261,7 €                  | 0 €           | -1.261,7 €     | -975,3 €   | 345,6 €     | -417,2 €   |
| 14  | 0 €                                     | -70,7 €          | -871,9 €       | 119,2 €       | -823,5 €       | -624,1 €   | -1.274,3 €                  | 0 €           | -1.274,3 €     | -965,8 €   | 341,7 €     | -76 €      |
| 15  | 0 €                                     | -72,1 €          | -880,6 €       | 120,4 €       | -832,4 €       | -618,5 €   | -1.287,1 €                  | 0 €           | -1.287,1 €     | -956,3 €   | 337,8 €     | 262,3 €    |
| 16  | 0 €                                     | -73,6 €          | -889,4 €       | 121,6 €       | -841,4 €       | -612,9 €   | -1.299,9 €                  | 0 €           | -1.299,9 €     | -946,9 €   | 334,0 €     | 596,3 €    |
| 17  | 0 €                                     | -75,1 €          | -898,3 €       | 122,8 €       | -850,6 €       | -607,5 €   | -1.312,9 €                  | 0 €           | -1.312,9 €     | -937,7 €   | 330,2 €     | 926,5 €    |
| 18  | 0 €                                     | -76,6 €          | -907,3 €       | 124 €         | -859,8 €       | -602 €     | -1.326,1 €                  | 0 €           | -1.326,1 €     | -928,5 €   | 326,5 €     | 1.253,0 €  |
| 19  | 0 €                                     | -78,1 €          | -916,4 €       | 125,3 €       | -869,2 €       | -596,7 €   | -1.339,3 €                  | 0 €           | -1.339,3 €     | -919,4 €   | 322,7 €     | 1.575,7 €  |
| 20  | -1.102,6 €                              | -79,6 €          | -925,5 €       | 126,5 €       | -1.981,3 €     | -1.333,3 € | -1.352,7 €                  | 0 €           | -1.352,7 €     | -910,3 €   | -423,0 €    | 1.152,7 €  |
| 21  | 0 €                                     | -81,2 €          | -934,8 €       | 127,8 €       | -888,3 €       | -586,1 €   | -1.366,3 €                  | 0 €           | -1.366,3 €     | -901,4 €   | 315,3 €     | 1.468,0 €  |
| 22  | 0 €                                     | -82,9 €          | -944,1 €       | 129,1 €       | -898 €         | -580,8 €   | -1.379,9 €                  | 0 €           | -1.379,9 €     | -892,6 €   | 311,8 €     | 1.779,8 €  |
| 23  | 0 €                                     | -84,5 €          | -953,6 €       | 130,3 €       | -907,8 €       | -575,7 €   | -1.393,7 €                  | 0 €           | -1.393,7 €     | -883,8 €   | 308,1 €     | 2.087,9 €  |
| 24  | 0 €                                     | -86,2 €          | -963,1 €       | 131,6 €       | -917,7 €       | -570,5 €   | -1.407,6 €                  | 0 €           | -1.407,6 €     | -875,2 €   | 304,7 €     | 2.392,6 €  |
| 25  | 608,7 €                                 | -87,9 €          | -972,8 €       | 133 €         | -319,1 €       | -194,5 €   | -1.421,7 €                  | 0 €           | -1.421,7 €     | -866,6 €   | 672,1 €     | 3.064,7 €  |

VAN 21.380,3 €

PAYBACK 14 años

AHORRO 3.064,7 €

LCOE 0,18 €/kWh

**20. Instalación Inflación electricidad 1.5% Zaragoza**

| AÑO | INSTALACION AUTOCONSUMO CONECTADA A RED |                  |                |               |                |            | INSTALACION SIN AUTOCONSUMO |               |                |            | COMPARATIVA |            |
|-----|-----------------------------------------|------------------|----------------|---------------|----------------|------------|-----------------------------|---------------|----------------|------------|-------------|------------|
|     | COSTES INSTALACION                      | C, MANTENIMIENTO | COMPRA ENERGIA | VENTA ENERGIA | FLUJOS DE CAJA | VAN        | COMPRA ENERGIA              | VENTA ENERGIA | FLUJOS DE CAJA | VAN        | AHORRO      | BALANCE    |
| 0   | -4.487,9 €                              | 0 €              | 0 €            | 0 €           | -4.487,9 €     | -4.487,9 € | 0 €                         | 0 €           | 0 €            | 0 €        | -4.487,9 €  | -4.487,9 € |
| 1   | 0 €                                     | -54,7 €          | -769,9 €       | 105,2 €       | -719,3 €       | -705,2 €   | -1.125,2 €                  | 0 €           | -1.125,2 €     | -1.103,2 € | 398,0 €     | -4.089,9 € |
| 2   | 0 €                                     | -55,8 €          | -781,5 €       | 106,8 €       | -730,4 €       | -702 €     | -1.142,1 €                  | 0 €           | -1.142,1 €     | -1.097,8 € | 395,8 €     | -3.694,1 € |
| 3   | 0 €                                     | -56,9 €          | -793,2 €       | 108,4 €       | -741,6 €       | -698,9 €   | -1.159,3 €                  | 0 €           | -1.159,3 €     | -1.092,4 € | 393,5 €     | -3.301 €   |
| 4   | 0 €                                     | -58 €            | -805,1 €       | 110 €         | -753 €         | -695,7 €   | -1.176,6 €                  | 0 €           | -1.176,6 €     | -1.087 €   | 391,3 €     | -2.909,3 € |
| 5   | 0 €                                     | -59,2 €          | -817,1 €       | 111,7 €       | -764,6 €       | -692,6 €   | -1.194,3 €                  | 0 €           | -1.194,3 €     | -1.081,7 € | 389,1 €     | -2.520,2 € |
| 6   | 0 €                                     | -60,4 €          | -829,4 €       | 113,4 €       | -776,4 €       | -689,4 €   | -1.212,2 €                  | 0 €           | -1.212,2 €     | -1.076,4 € | 387,0 €     | -2.133,2 € |
| 7   | 0 €                                     | -61,6 €          | -841,8 €       | 115,1 €       | -788,3 €       | -686,3 €   | -1.230,4 €                  | 0 €           | -1.230,4 €     | -1.071,1 € | 384,8 €     | -1.748,4 € |
| 8   | 0 €                                     | -62,8 €          | -854,5 €       | 116,8 €       | -800,5 €       | -683,2 €   | -1.248,8 €                  | 0 €           | -1.248,8 €     | -1.065,9 € | 382,7 €     | -1.366 €   |
| 9   | 0 €                                     | -64,1 €          | -867,3 €       | 118,5 €       | -812,8 €       | -680,1 €   | -1.267,6 €                  | 0 €           | -1.267,6 €     | -1.060,7 € | 380,6 €     | -985,1 €   |
| 10  | -904,5 €                                | -65,3 €          | -880,3 €       | 120,3 €       | -1.729,8 €     | -1.419 €   | -1.286,6 €                  | 0 €           | -1.286,6 €     | -1.055,5 € | -363,5 €    | -1.348,6 € |
| 11  | 0 €                                     | -66,6 €          | -893,5 €       | 122,1 €       | -838 €         | -674 €     | -1.305,9 €                  | 0 €           | -1.305,9 €     | -1.050,3 € | 376,3 €     | -972,3 €   |
| 12  | 0 €                                     | -68 €            | -906,9 €       | 124 €         | -850,9 €       | -670,9 €   | -1.325,5 €                  | 0 €           | -1.325,5 €     | -1.045,1 € | 374,2 €     | -598,1 €   |
| 13  | 0 €                                     | -69,3 €          | -920,5 €       | 125,8 €       | -864 €         | -667,9 €   | -1.345,4 €                  | 0 €           | -1.345,4 €     | -1.040 €   | 372,1 €     | -226,0 €   |
| 14  | 0 €                                     | -70,7 €          | -934,3 €       | 127,7 €       | -877,3 €       | -664,9 €   | -1.365,5 €                  | 0 €           | -1.365,5 €     | -1.034,9 € | 370,0 €     | 144 €      |
| 15  | 0 €                                     | -72,1 €          | -948,3 €       | 129,6 €       | -890,8 €       | -661,9 €   | -1.386 €                    | 0 €           | -1.386 €       | -1.029,8 € | 367,9 €     | 511,9 €    |
| 16  | 0 €                                     | -73,6 €          | -962,6 €       | 131,6 €       | -904,6 €       | -658,9 €   | -1.406,8 €                  | 0 €           | -1.406,8 €     | -1.024,8 € | 365,9 €     | 877,8 €    |
| 17  | 0 €                                     | -75,1 €          | -977 €         | 133,5 €       | -918,5 €       | -656 €     | -1.427,9 €                  | 0 €           | -1.427,9 €     | -1.019,8 € | 363,8 €     | 1.241,6 €  |
| 18  | 0 €                                     | -76,6 €          | -991,7 €       | 135,5 €       | -932,7 €       | -653 €     | -1.449,3 €                  | 0 €           | -1.449,3 €     | -1.014,8 € | 361,8 €     | 1.603,4 €  |
| 19  | 0 €                                     | -78,1 €          | -1.006,5 €     | 137,6 €       | -947 €         | -650,1 €   | -1.471,1 €                  | 0 €           | -1.471,1 €     | -1.009,8 € | 359,7 €     | 1.963,1 €  |
| 20  | -1.102,6 €                              | -79,6 €          | -1.021,6 €     | 139,6 €       | -2.064,2 €     | -1.389,1 € | -1.493,1 €                  | 0 €           | -1.493,1 €     | -1.004,8 € | -384,3 €    | 1.578,8 €  |
| 21  | 0 €                                     | -81,2 €          | -1.036,9 €     | 141,7 €       | -976,5 €       | -644,2 €   | -1.515,5 €                  | 0 €           | -1.515,5 €     | -999,9 €   | 355,7 €     | 1.934,5 €  |
| 22  | 0 €                                     | -82,9 €          | -1.052,5 €     | 143,9 €       | -991,5 €       | -641,3 €   | -1.538,3 €                  | 0 €           | -1.538,3 €     | -995 €     | 353,7 €     | 2.288,2 €  |
| 23  | 0 €                                     | -84,5 €          | -1.068,3 €     | 146 €         | -1.006,8 €     | -638,5 €   | -1.561,4 €                  | 0 €           | -1.561,4 €     | -990,1 €   | 351,6 €     | 2.639,8 €  |
| 24  | 0 €                                     | -86,2 €          | -1.084,3 €     | 148,2 €       | -1.022,3 €     | -635,6 €   | -1.584,8 €                  | 0 €           | -1.584,8 €     | -985,3 €   | 349,7 €     | 2.989,5 €  |
| 25  | 608,7 €                                 | -87,9 €          | -1.100,6 €     | 150,4 €       | -429,4 €       | -261,7 €   | -1.608,5 €                  | 0 €           | -1.608,5 €     | -980,5 €   | 718,8 €     | 3.708,3 €  |

VAN 22.308,5 €

PAYBACK 13 años

AHORRO 3.708,3 €

LCOE 0,19 €/kWh

### 21. Instalación Inflación electricidad 3% Zaragoza

| AÑO | INSTALACION AUTOCONSUMO CONECTADA A RED |                  |                |               |                |            | INSTALACION SIN AUTOCONSUMO |               |                |            | COMPARATIVA |            |
|-----|-----------------------------------------|------------------|----------------|---------------|----------------|------------|-----------------------------|---------------|----------------|------------|-------------|------------|
|     | COSTES INSTALACION                      | C, MANTENIMIENTO | COMPRA ENERGIA | VENTA ENERGIA | FLUJOS DE CAJA | VAN        | COMPRA ENERGIA              | VENTA ENERGIA | FLUJOS DE CAJA | VAN        | AHORRO      | BALANCE    |
| 0   | -4.487,9 €                              | 0 €              | 0 €            | 0 €           | -4.487,9 €     | -4.487,9 € | 0 €                         | 0 €           | 0 €            | 0 €        | -4.487,9 €  | -4.487,9 € |
| 1   | 0 €                                     | -54,7 €          | -781,3 €       | 106,8 €       | -729,2 €       | -714,9 €   | -1.141,9 €                  | 0 €           | -1.141,9 €     | -1.119,5 € | 404,6 €     | -4.083,3 € |
| 2   | 0 €                                     | -55,8 €          | -804,7 €       | 110 €         | -750,5 €       | -721,3 €   | -1.176,1 €                  | 0 €           | -1.176,1 €     | -1.130,5 € | 409,2 €     | -3.674,1 € |
| 3   | 0 €                                     | -56,9 €          | -828,9 €       | 113,3 €       | -772,4 €       | -727,9 €   | -1.211,4 €                  | 0 €           | -1.211,4 €     | -1.141,5 € | 413,6 €     | -3.261 €   |
| 4   | 0 €                                     | -58 €            | -853,7 €       | 116,7 €       | -795,1 €       | -734,5 €   | -1.247,8 €                  | 0 €           | -1.247,8 €     | -1.152,7 € | 418,2 €     | -2.842,3 € |
| 5   | 0 €                                     | -59,2 €          | -879,3 €       | 120,2 €       | -818,3 €       | -741,2 €   | -1.285,2 €                  | 0 €           | -1.285,2 €     | -1.164 €   | 422,8 €     | -2.419,5 € |
| 6   | 0 €                                     | -60,4 €          | -905,7 €       | 123,8 €       | -842,3 €       | -747,9 €   | -1.323,7 €                  | 0 €           | -1.323,7 €     | -1.175,4 € | 427,5 €     | -1.992,0 € |
| 7   | 0 €                                     | -61,6 €          | -932,9 €       | 127,5 €       | -866,9 €       | -754,7 €   | -1.363,5 €                  | 0 €           | -1.363,5 €     | -1.187 €   | 432,3 €     | -1.559,7 € |
| 8   | 0 €                                     | -62,8 €          | -960,9 €       | 131,3 €       | -892,3 €       | -761,6 €   | -1.404,4 €                  | 0 €           | -1.404,4 €     | -1.198,6 € | 437,0 €     | -1.123 €   |
| 9   | 0 €                                     | -64,1 €          | -989,7 €       | 135,3 €       | -918,5 €       | -768,5 €   | -1.446,5 €                  | 0 €           | -1.446,5 €     | -1.210,4 € | 441,9 €     | -680,8 €   |
| 10  | -904,5 €                                | -65,3 €          | -1.019,4 €     | 139,3 €       | -1.849,9 €     | -1.517,6 € | -1.489,9 €                  | 0 €           | -1.489,9 €     | -1.222,2 € | -295,4 €    | -976,2 €   |
| 11  | 0 €                                     | -66,6 €          | -1.050 €       | 143,5 €       | -973,1 €       | -782,6 €   | -1.534,6 €                  | 0 €           | -1.534,6 €     | -1.234,2 € | 451,6 €     | -524,6 €   |
| 12  | 0 €                                     | -68 €            | -1.081,5 €     | 147,8 €       | -1.001,6 €     | -789,8 €   | -1.580,6 €                  | 0 €           | -1.580,6 €     | -1.246,3 € | 456,5 €     | -68,1 €    |
| 13  | 0 €                                     | -69,3 €          | -1.113,9 €     | 152,3 €       | -1.031 €       | -797 €     | -1.628 €                    | 0 €           | -1.628 €       | -1.258,5 € | 461,5 €     | 393,4 €    |
| 14  | 0 €                                     | -70,7 €          | -1.147,3 €     | 156,8 €       | -1.061,2 €     | -804,3 €   | -1.676,9 €                  | 0 €           | -1.676,9 €     | -1.270,9 € | 466,6 €     | 860 €      |
| 15  | 0 €                                     | -72,1 €          | -1.181,8 €     | 161,5 €       | -1.092,4 €     | -811,6 €   | -1.727,2 €                  | 0 €           | -1.727,2 €     | -1.283,3 € | 471,7 €     | 1.331,7 €  |
| 16  | 0 €                                     | -73,6 €          | -1.217,2 €     | 166,4 €       | -1.124,4 €     | -819,1 €   | -1.779 €                    | 0 €           | -1.779 €       | -1.295,9 € | 476,8 €     | 1.808,5 €  |
| 17  | 0 €                                     | -75,1 €          | -1.253,7 €     | 171,4 €       | -1.157,4 €     | -826,6 €   | -1.832,4 €                  | 0 €           | -1.832,4 €     | -1.308,6 € | 482,0 €     | 2.290,5 €  |
| 18  | 0 €                                     | -76,6 €          | -1.291,3 €     | 176,5 €       | -1.191,4 €     | -834,2 €   | -1.887,3 €                  | 0 €           | -1.887,3 €     | -1.321,4 € | 487,2 €     | 2.777,7 €  |
| 19  | 0 €                                     | -78,1 €          | -1.330,1 €     | 181,8 €       | -1.226,4 €     | -841,8 €   | -1.944 €                    | 0 €           | -1.944 €       | -1.334,4 € | 492,6 €     | 3.270,3 €  |
| 20  | -1.102,6 €                              | -79,6 €          | -1.370 €       | 187,3 €       | -2.364,9 €     | -1.591,5 € | -2.002,3 €                  | 0 €           | -2.002,3 €     | -1.347,5 € | -244,0 €    | 3.026,3 €  |
| 21  | 0 €                                     | -81,2 €          | -1.411,1 €     | 192,9 €       | -1.299,4 €     | -857,3 €   | -2.062,4 €                  | 0 €           | -2.062,4 €     | -1.360,7 € | 503,4 €     | 3.529,7 €  |
| 22  | 0 €                                     | -82,9 €          | -1.453,4 €     | 198,7 €       | -1.337,6 €     | -865,2 €   | -2.124,2 €                  | 0 €           | -2.124,2 €     | -1.374 €   | 508,8 €     | 4.038,5 €  |
| 23  | 0 €                                     | -84,5 €          | -1.497 €       | 204,6 €       | -1.376,9 €     | -873,2 €   | -2.188 €                    | 0 €           | -2.188 €       | -1.387,5 € | 514,3 €     | 4.552,8 €  |
| 24  | 0 €                                     | -86,2 €          | -1.541,9 €     | 210,8 €       | -1.417,4 €     | -881,2 €   | -2.253,6 €                  | 0 €           | -2.253,6 €     | -1.401,1 € | 519,9 €     | 5.072,7 €  |
| 25  | 608,7 €                                 | -87,9 €          | -1.588,2 €     | 217,1 €       | -850,4 €       | -518,3 €   | -2.321,2 €                  | 0 €           | -2.321,2 €     | -1.414,8 € | 896,5 €     | 5.969,2 €  |

VAN 25.571,8 €

PAYBACK 12 años

AHORRO 5.969,2 €

LCOE 0,22 €/kWh

## 22. Instalación Inflación electricidad 1% Sevilla

| AÑO | INSTALACION AUTOCONSUMO CONECTADA A RED |                  |                |               |                |            | INSTALACION SIN AUTOCONSUMO |               |                |            | COMPARATIVA |            |
|-----|-----------------------------------------|------------------|----------------|---------------|----------------|------------|-----------------------------|---------------|----------------|------------|-------------|------------|
|     | COSTES INSTALACION                      | C, MANTENIMIENTO | COMPRA ENERGIA | VENTA ENERGIA | FLUJOS DE CAJA | VAN        | COMPRA ENERGIA              | VENTA ENERGIA | FLUJOS DE CAJA | VAN        | AHORRO      | BALANCE    |
| 0   | -4.487,9 €                              | 0 €              | 0 €            | 0 €           | -4.487,9 €     | -4.487,9 € | 0 €                         | 0 €           | 0 €            | 0 €        | -4.487,9 €  | -4.487,9 € |
| 1   | 0 €                                     | -54,7 €          | -733,4 €       | 106,7 €       | -681,4 €       | -668 €     | -1.119,7 €                  | 0 €           | -1.119,7 €     | -1.097,7 € | 429,7 €     | -4.058,2 € |
| 2   | 0 €                                     | -55,8 €          | -740,7 €       | 107,8 €       | -688,7 €       | -662 €     | -1.130,9 €                  | 0 €           | -1.130,9 €     | -1.087 €   | 425,0 €     | -3.633,2 € |
| 3   | 0 €                                     | -56,9 €          | -748,1 €       | 108,8 €       | -696,2 €       | -656 €     | -1.142,2 €                  | 0 €           | -1.142,2 €     | -1.076,3 € | 420,3 €     | -3.213 €   |
| 4   | 0 €                                     | -58 €            | -755,6 €       | 109,9 €       | -703,7 €       | -650,1 €   | -1.153,6 €                  | 0 €           | -1.153,6 €     | -1.065,8 € | 415,7 €     | -2.797,2 € |
| 5   | 0 €                                     | -59,2 €          | -763,2 €       | 111 €         | -711,3 €       | -644,3 €   | -1.165,2 €                  | 0 €           | -1.165,2 €     | -1.055,3 € | 411,0 €     | -2.386,2 € |
| 6   | 0 €                                     | -60,4 €          | -770,8 €       | 112,1 €       | -719 €         | -638,5 €   | -1.176,8 €                  | 0 €           | -1.176,8 €     | -1.045 €   | 406,5 €     | -1.979,7 € |
| 7   | 0 €                                     | -61,6 €          | -778,5 €       | 113,3 €       | -726,8 €       | -632,7 €   | -1.188,6 €                  | 0 €           | -1.188,6 €     | -1.034,7 € | 402,0 €     | -1.577,7 € |
| 8   | 0 €                                     | -62,8 €          | -786,3 €       | 114,4 €       | -734,7 €       | -627,1 €   | -1.200,5 €                  | 0 €           | -1.200,5 €     | -1.024,6 € | 397,5 €     | -1.180 €   |
| 9   | 0 €                                     | -64,1 €          | -794,2 €       | 115,5 €       | -742,7 €       | -621,4 €   | -1.212,5 €                  | 0 €           | -1.212,5 €     | -1.014,5 € | 393,1 €     | -787,1 €   |
| 10  | -904,5 €                                | -65,3 €          | -802,1 €       | 116,7 €       | -1.655,2 €     | -1.357,9 € | -1.224,6 €                  | 0 €           | -1.224,6 €     | -1.004,6 € | -353,3 €    | -1.140,4 € |
| 11  | 0 €                                     | -66,6 €          | -810,1 €       | 117,9 €       | -758,9 €       | -610,4 €   | -1.236,8 €                  | 0 €           | -1.236,8 €     | -994,8 €   | 384,4 €     | -756,0 €   |
| 12  | 0 €                                     | -68 €            | -818,2 €       | 119 €         | -767,2 €       | -604,9 €   | -1.249,2 €                  | 0 €           | -1.249,2 €     | -985 €     | 380,1 €     | -375,9 €   |
| 13  | 0 €                                     | -69,3 €          | -826,4 €       | 120,2 €       | -775,5 €       | -599,5 €   | -1.261,7 €                  | 0 €           | -1.261,7 €     | -975,5 €   | 376,0 €     | 0,1 €      |
| 14  | 0 €                                     | -70,7 €          | -834,7 €       | 121,4 €       | -784 €         | -594,1 €   | -1.274,3 €                  | 0 €           | -1.274,3 €     | -965,8 €   | 371,7 €     | 372 €      |
| 15  | 0 €                                     | -72,1 €          | -843 €         | 122,6 €       | -792,5 €       | -588,8 €   | -1.287,1 €                  | 0 €           | -1.287,1 €     | -956,3 €   | 367,5 €     | 739,3 €    |
| 16  | 0 €                                     | -73,6 €          | -851,4 €       | 123,9 €       | -801,2 €       | -583,6 €   | -1.299,9 €                  | 0 €           | -1.299,9 €     | -946,9 €   | 363,3 €     | 1.102,6 €  |
| 17  | 0 €                                     | -75,1 €          | -860 €         | 125,1 €       | -809,9 €       | -578,4 €   | -1.312,9 €                  | 0 €           | -1.312,9 €     | -937,7 €   | 359,3 €     | 1.461,9 €  |
| 18  | 0 €                                     | -76,6 €          | -868,6 €       | 126,4 €       | -818,7 €       | -573,3 €   | -1.326,1 €                  | 0 €           | -1.326,1 €     | -928,5 €   | 355,2 €     | 1.817,1 €  |
| 19  | 0 €                                     | -78,1 €          | -877,2 €       | 127,6 €       | -827,7 €       | -568,2 €   | -1.339,3 €                  | 0 €           | -1.339,3 €     | -919,4 €   | 351,2 €     | 2.168,3 €  |
| 20  | -1.102,6 €                              | -79,6 €          | -886 €         | 128,9 €       | -1.939,3 €     | -1.305,1 € | -1.352,7 €                  | 0 €           | -1.352,7 €     | -910,3 €   | -394,8 €    | 1.773,5 €  |
| 21  | 0 €                                     | -81,2 €          | -894,9 €       | 130,2 €       | -845,9 €       | -558,1 €   | -1.366,3 €                  | 0 €           | -1.366,3 €     | -901,4 €   | 343,3 €     | 2.116,8 €  |
| 22  | 0 €                                     | -82,9 €          | -903,8 €       | 131,5 €       | -855,2 €       | -553,2 €   | -1.379,9 €                  | 0 €           | -1.379,9 €     | -892,6 €   | 339,4 €     | 2.456,2 €  |
| 23  | 0 €                                     | -84,5 €          | -912,9 €       | 132,8 €       | -864,6 €       | -548,3 €   | -1.393,7 €                  | 0 €           | -1.393,7 €     | -883,8 €   | 335,5 €     | 2.791,7 €  |
| 24  | 0 €                                     | -86,2 €          | -922 €         | 134,1 €       | -874,1 €       | -543,4 €   | -1.407,6 €                  | 0 €           | -1.407,6 €     | -875,2 €   | 331,8 €     | 3.123,5 €  |
| 25  | 608,7 €                                 | -87,9 €          | -931,2 €       | 135,5 €       | -275 €         | -167,6 €   | -1.421,7 €                  | 0 €           | -1.421,7 €     | -866,6 €   | 699,0 €     | 3.822,5 €  |

VAN 20.622,7 €

PAYBACK 12 años

AHORRO 3.822,5 €

LCOE 0,18 €/kWh

### 23. Instalación Inflación electricidad 1.5% Sevilla

| AÑO | INSTALACION AUTOCONSUMO CONECTADA A RED |                  |                |               |                |            | INSTALACION SIN AUTOCONSUMO |               |                |            | COMPARATIVA |            |
|-----|-----------------------------------------|------------------|----------------|---------------|----------------|------------|-----------------------------|---------------|----------------|------------|-------------|------------|
|     | COSTES INSTALACION                      | C, MANTENIMIENTO | COMPRA ENERGIA | VENTA ENERGIA | FLUJOS DE CAJA | VAN        | COMPRA ENERGIA              | VENTA ENERGIA | FLUJOS DE CAJA | VAN        | AHORRO      | BALANCE    |
| 0   | -4.487,9 €                              | 0 €              | 0 €            | 0 €           | -4.487,9 €     | -4.487,9 € | 0 €                         | 0 €           | 0 €            | 0 €        | -4.487,9 €  | -4.487,9 € |
| 1   | 0 €                                     | -54,7 €          | -737 €         | 107,2 €       | -684,5 €       | -671 €     | -1.125,2 €                  | 0 €           | -1.125,2 €     | -1.103,2 € | 432,2 €     | -4.055,7 € |
| 2   | 0 €                                     | -55,8 €          | -748,1 €       | 108,8 €       | -695 €         | -668 €     | -1.142,1 €                  | 0 €           | -1.142,1 €     | -1.097,8 € | 429,8 €     | -3.625,9 € |
| 3   | 0 €                                     | -56,9 €          | -759,3 €       | 110,5 €       | -705,7 €       | -665 €     | -1.159,3 €                  | 0 €           | -1.159,3 €     | -1.092,4 € | 427,4 €     | -3.199 €   |
| 4   | 0 €                                     | -58 €            | -770,7 €       | 112,1 €       | -716,6 €       | -662 €     | -1.176,6 €                  | 0 €           | -1.176,6 €     | -1.087 €   | 425,0 €     | -2.773,5 € |
| 5   | 0 €                                     | -59,2 €          | -782,2 €       | 113,8 €       | -727,6 €       | -659 €     | -1.194,3 €                  | 0 €           | -1.194,3 €     | -1.081,7 € | 422,7 €     | -2.350,8 € |
| 6   | 0 €                                     | -60,4 €          | -794 €         | 115,5 €       | -738,8 €       | -656,1 €   | -1.212,2 €                  | 0 €           | -1.212,2 €     | -1.076,4 € | 420,3 €     | -1.930,5 € |
| 7   | 0 €                                     | -61,6 €          | -805,9 €       | 117,2 €       | -750,2 €       | -653,1 €   | -1.230,4 €                  | 0 €           | -1.230,4 €     | -1.071,1 € | 418,0 €     | -1.512,5 € |
| 8   | 0 €                                     | -62,8 €          | -818 €         | 119 €         | -761,8 €       | -650,2 €   | -1.248,8 €                  | 0 €           | -1.248,8 €     | -1.065,9 € | 415,7 €     | -1.097 €   |
| 9   | 0 €                                     | -64,1 €          | -830,3 €       | 120,8 €       | -773,5 €       | -647,2 €   | -1.267,6 €                  | 0 €           | -1.267,6 €     | -1.060,7 € | 413,5 €     | -683,3 €   |
| 10  | -904,5 €                                | -65,3 €          | -842,7 €       | 122,6 €       | -1.689,9 €     | -1.386,3 € | -1.286,6 €                  | 0 €           | -1.286,6 €     | -1.055,5 € | -330,8 €    | -1.014,1 € |
| 11  | 0 €                                     | -66,6 €          | -855,3 €       | 124,4 €       | -797,5 €       | -641,4 €   | -1.305,9 €                  | 0 €           | -1.305,9 €     | -1.050,3 € | 408,9 €     | -605,2 €   |
| 12  | 0 €                                     | -68 €            | -868,2 €       | 126,3 €       | -809,8 €       | -638,6 €   | -1.325,5 €                  | 0 €           | -1.325,5 €     | -1.045,1 € | 406,5 €     | -198,7 €   |
| 13  | 0 €                                     | -69,3 €          | -881,2 €       | 128,2 €       | -822,3 €       | -635,7 €   | -1.345,4 €                  | 0 €           | -1.345,4 €     | -1.040 €   | 404,3 €     | 205,6 €    |
| 14  | 0 €                                     | -70,7 €          | -894,4 €       | 130,1 €       | -835 €         | -632,8 €   | -1.365,5 €                  | 0 €           | -1.365,5 €     | -1.034,9 € | 402,1 €     | 608 €      |
| 15  | 0 €                                     | -72,1 €          | -907,8 €       | 132,1 €       | -847,9 €       | -630 €     | -1.386 €                    | 0 €           | -1.386 €       | -1.029,8 € | 399,8 €     | 1.007,5 €  |
| 16  | 0 €                                     | -73,6 €          | -921,4 €       | 134,1 €       | -861 €         | -627,2 €   | -1.406,8 €                  | 0 €           | -1.406,8 €     | -1.024,8 € | 397,6 €     | 1.405,1 €  |
| 17  | 0 €                                     | -75,1 €          | -935,3 €       | 136,1 €       | -874,3 €       | -624,4 €   | -1.427,9 €                  | 0 €           | -1.427,9 €     | -1.019,8 € | 395,4 €     | 1.800,5 €  |
| 18  | 0 €                                     | -76,6 €          | -949,3 €       | 138,1 €       | -887,7 €       | -621,6 €   | -1.449,3 €                  | 0 €           | -1.449,3 €     | -1.014,8 € | 393,2 €     | 2.193,7 €  |
| 19  | 0 €                                     | -78,1 €          | -963,5 €       | 140,2 €       | -901,4 €       | -618,8 €   | -1.471,1 €                  | 0 €           | -1.471,1 €     | -1.009,8 € | 391,0 €     | 2.584,7 €  |
| 20  | -1.102,6 €                              | -79,6 €          | -978 €         | 142,3 €       | -2.017,9 €     | -1.358 €   | -1.493,1 €                  | 0 €           | -1.493,1 €     | -1.004,8 € | -353,2 €    | 2.231,5 €  |
| 21  | 0 €                                     | -81,2 €          | -992,7 €       | 144,4 €       | -929,5 €       | -613,2 €   | -1.515,5 €                  | 0 €           | -1.515,5 €     | -999,9 €   | 386,7 €     | 2.618,2 €  |
| 22  | 0 €                                     | -82,9 €          | -1.007,6 €     | 146,6 €       | -943,8 €       | -610,5 €   | -1.538,3 €                  | 0 €           | -1.538,3 €     | -995 €     | 384,5 €     | 3.002,7 €  |
| 23  | 0 €                                     | -84,5 €          | -1.022,7 €     | 148,8 €       | -958,4 €       | -607,8 €   | -1.561,4 €                  | 0 €           | -1.561,4 €     | -990,1 €   | 382,3 €     | 3.385,0 €  |
| 24  | 0 €                                     | -86,2 €          | -1.038 €       | 151 €         | -973,2 €       | -605,1 €   | -1.584,8 €                  | 0 €           | -1.584,8 €     | -985,3 €   | 380,2 €     | 3.765,2 €  |
| 25  | 608,7 €                                 | -87,9 €          | -1.053,6 €     | 153,3 €       | -379,6 €       | -231,4 €   | -1.608,5 €                  | 0 €           | -1.608,5 €     | -980,5 €   | 749,1 €     | 4.514,3 €  |

VAN 21.502,2 €

PAYBACK 12 años

AHORRO 4.514,3 €

LCOE 0,19 €/kWh

**24. Instalación Inflación electricidad 3% Sevilla**

| AÑO | INSTALACION AUTOCONSUMO CONECTADA A RED |                  |                |               |                |            | INSTALACION SIN AUTOCONSUMO |               |                |            | COMPARATIVA |            |
|-----|-----------------------------------------|------------------|----------------|---------------|----------------|------------|-----------------------------|---------------|----------------|------------|-------------|------------|
|     | COSTES INSTALACION                      | C, MANTENIMIENTO | COMPRA ENERGIA | VENTA ENERGIA | FLUJOS DE CAJA | VAN        | COMPRA ENERGIA              | VENTA ENERGIA | FLUJOS DE CAJA | VAN        | AHORRO      | BALANCE    |
| 0   | -4.487,9 €                              | 0 €              | 0 €            | 0 €           | -4.487,9 €     | -4.487,9 € | 0 €                         | 0 €           | 0 €            | 0 €        | -4.487,9 €  | -4.487,9 € |
| 1   | 0 €                                     | -54,7 €          | -747,9 €       | 108,8 €       | -693,8 €       | -680,2 €   | -1.141,9 €                  | 0 €           | -1.141,9 €     | -1.119,5 € | 439,3 €     | -4.048,6 € |
| 2   | 0 €                                     | -55,8 €          | -770,4 €       | 112,1 €       | -714 €         | -686,3 €   | -1.176,1 €                  | 0 €           | -1.176,1 €     | -1.130,5 € | 444,2 €     | -3.604,4 € |
| 3   | 0 €                                     | -56,9 €          | -793,5 €       | 115,4 €       | -734,9 €       | -692,5 €   | -1.211,4 €                  | 0 €           | -1.211,4 €     | -1.141,5 € | 449,0 €     | -3.155 €   |
| 4   | 0 €                                     | -58 €            | -817,3 €       | 118,9 €       | -756,4 €       | -698,8 €   | -1.247,8 €                  | 0 €           | -1.247,8 €     | -1.152,7 € | 453,9 €     | -2.701,5 € |
| 5   | 0 €                                     | -59,2 €          | -841,8 €       | 122,5 €       | -778,5 €       | -705,1 €   | -1.285,2 €                  | 0 €           | -1.285,2 €     | -1.164 €   | 458,9 €     | -2.242,6 € |
| 6   | 0 €                                     | -60,4 €          | -867 €         | 126,1 €       | -801,3 €       | -711,5 €   | -1.323,7 €                  | 0 €           | -1.323,7 €     | -1.175,4 € | 463,9 €     | -1.778,7 € |
| 7   | 0 €                                     | -61,6 €          | -893 €         | 129,9 €       | -824,7 €       | -717,9 €   | -1.363,5 €                  | 0 €           | -1.363,5 €     | -1.187 €   | 469,1 €     | -1.309,6 € |
| 8   | 0 €                                     | -62,8 €          | -919,8 €       | 133,8 €       | -848,8 €       | -724,5 €   | -1.404,4 €                  | 0 €           | -1.404,4 €     | -1.198,6 € | 474,1 €     | -836 €     |
| 9   | 0 €                                     | -64,1 €          | -947,4 €       | 137,8 €       | -873,7 €       | -731 €     | -1.446,5 €                  | 0 €           | -1.446,5 €     | -1.210,4 € | 479,4 €     | -356,1 €   |
| 10  | -904,5 €                                | -65,3 €          | -975,9 €       | 142 €         | -1.803,7 €     | -1.479,7 € | -1.489,9 €                  | 0 €           | -1.489,9 €     | -1.222,2 € | -257,5 €    | -613,6 €   |
| 11  | 0 €                                     | -66,6 €          | -1.005,1 €     | 146,2 €       | -925,5 €       | -744,4 €   | -1.534,6 €                  | 0 €           | -1.534,6 €     | -1.234,2 € | 489,8 €     | -123,8 €   |
| 12  | 0 €                                     | -68 €            | -1.035,3 €     | 150,6 €       | -952,6 €       | -751,2 €   | -1.580,6 €                  | 0 €           | -1.580,6 €     | -1.246,3 € | 495,1 €     | 371,3 €    |
| 13  | 0 €                                     | -69,3 €          | -1.066,3 €     | 155,1 €       | -980,5 €       | -758 €     | -1.628 €                    | 0 €           | -1.628 €       | -1.258,5 € | 500,5 €     | 871,8 €    |
| 14  | 0 €                                     | -70,7 €          | -1.098,3 €     | 159,8 €       | -1.009,3 €     | -764,9 €   | -1.676,9 €                  | 0 €           | -1.676,9 €     | -1.270,9 € | 506,0 €     | 1.378 €    |
| 15  | 0 €                                     | -72,1 €          | -1.131,3 €     | 164,6 €       | -1.038,8 €     | -771,9 €   | -1.727,2 €                  | 0 €           | -1.727,2 €     | -1.283,3 € | 511,4 €     | 1.889,2 €  |
| 16  | 0 €                                     | -73,6 €          | -1.165,2 €     | 169,5 €       | -1.069,3 €     | -778,9 €   | -1.779 €                    | 0 €           | -1.779 €       | -1.295,9 € | 517,0 €     | 2.406,2 €  |
| 17  | 0 €                                     | -75,1 €          | -1.200,2 €     | 174,6 €       | -1.100,6 €     | -786 €     | -1.832,4 €                  | 0 €           | -1.832,4 €     | -1.308,6 € | 522,6 €     | 2.928,8 €  |
| 18  | 0 €                                     | -76,6 €          | -1.236,2 €     | 179,9 €       | -1.132,9 €     | -793,2 €   | -1.887,3 €                  | 0 €           | -1.887,3 €     | -1.321,4 € | 528,2 €     | 3.457,0 €  |
| 19  | 0 €                                     | -78,1 €          | -1.273,3 €     | 185,2 €       | -1.166,1 €     | -800,5 €   | -1.944 €                    | 0 €           | -1.944 €       | -1.334,4 € | 533,9 €     | 3.990,9 €  |
| 20  | -1.102,6 €                              | -79,6 €          | -1.311,5 €     | 190,8 €       | -2.302,9 €     | -1.549,8 € | -2.002,3 €                  | 0 €           | -2.002,3 €     | -1.347,5 € | -202,3 €    | 3.788,6 €  |
| 21  | 0 €                                     | -81,2 €          | -1.350,8 €     | 196,5 €       | -1.235,5 €     | -815,2 €   | -2.062,4 €                  | 0 €           | -2.062,4 €     | -1.360,7 € | 545,5 €     | 4.334,1 €  |
| 22  | 0 €                                     | -82,9 €          | -1.391,3 €     | 202,4 €       | -1.271,8 €     | -822,6 €   | -2.124,2 €                  | 0 €           | -2.124,2 €     | -1.374 €   | 551,4 €     | 4.885,5 €  |
| 23  | 0 €                                     | -84,5 €          | -1.433,1 €     | 208,5 €       | -1.309,1 €     | -830,2 €   | -2.188 €                    | 0 €           | -2.188 €       | -1.387,5 € | 557,3 €     | 5.442,8 €  |
| 24  | 0 €                                     | -86,2 €          | -1.476,1 €     | 214,8 €       | -1.347,5 €     | -837,8 €   | -2.253,6 €                  | 0 €           | -2.253,6 €     | -1.401,1 € | 563,3 €     | 6.006,1 €  |
| 25  | 608,7 €                                 | -87,9 €          | -1.520,4 €     | 221,2 €       | -778,4 €       | -474,5 €   | -2.321,2 €                  | 0 €           | -2.321,2 €     | -1.414,8 € | 940,3 €     | 6.946,4 €  |

VAN 24.594,3 €

PAYBACK 11 años

AHORRO 6.946,4 €

LCOE 0,21 €/kWh

**25.Instalación Inflación electricidad 1% Bilbao**

| AÑO | INSTALACION AUTOCONSUMO CONECTADA A RED |                  |                |               |                |            | INSTALACION SIN AUTOCONSUMO |               |                |            | COMPARATIVA |            |
|-----|-----------------------------------------|------------------|----------------|---------------|----------------|------------|-----------------------------|---------------|----------------|------------|-------------|------------|
|     | COSTES INSTALACION                      | C, MANTENIMIENTO | COMPRA ENERGIA | VENTA ENERGIA | FLUJOS DE CAJA | VAN        | COMPRA ENERGIA              | VENTA ENERGIA | FLUJOS DE CAJA | VAN        | AHORRO      | BALANCE    |
| 0   | -54.263 €                               | 0 €              | 0 €            | 0 €           | -5.426,3 €     | -5.426,3 € | 0 €                         | 0 €           | 0 €            | 0 €        | -5.426,3 €  | -5.426,3 € |
| 1   | 0 €                                     | -61,6 €          | -774,6 €       | 119,9 €       | -716,3 €       | -702,2 €   | -1.119,7 €                  | 0 €           | -1.119,7 €     | -1.097,7 € | 395,5 €     | -5.030,8 € |
| 2   | 0 €                                     | -62,8 €          | -782,3 €       | 121,1 €       | -724,1 €       | -695,9 €   | -1.130,9 €                  | 0 €           | -1.130,9 €     | -1.087 €   | 391,1 €     | -4.639,7 € |
| 3   | 0 €                                     | -64,1 €          | -790,2 €       | 122,3 €       | -731,9 €       | -689,7 €   | -1.142,2 €                  | 0 €           | -1.142,2 €     | -1.076,3 € | 386,6 €     | -4.253 €   |
| 4   | 0 €                                     | -65,4 €          | -798,1 €       | 123,6 €       | -739,9 €       | -683,5 €   | -1.153,6 €                  | 0 €           | -1.153,6 €     | -1.065,8 € | 382,3 €     | -3.870,8 € |
| 5   | 0 €                                     | -66,7 €          | -806 €         | 124,8 €       | -747,9 €       | -677,4 €   | -1.165,2 €                  | 0 €           | -1.165,2 €     | -1.055,3 € | 377,9 €     | -3.492,9 € |
| 6   | 0 €                                     | -68 €            | -814,1 €       | 126 €         | -756,1 €       | -671,4 €   | -1.176,8 €                  | 0 €           | -1.176,8 €     | -1.045 €   | 373,6 €     | -3.119,3 € |
| 7   | 0 €                                     | -69,4 €          | -822,2 €       | 127,3 €       | -764,3 €       | -665,4 €   | -1.188,6 €                  | 0 €           | -1.188,6 €     | -1.034,7 € | 369,3 €     | -2.750,0 € |
| 8   | 0 €                                     | -70,8 €          | -830,5 €       | 128,6 €       | -772,7 €       | -659,5 €   | -1.200,5 €                  | 0 €           | -1.200,5 €     | -1.024,6 € | 365,1 €     | -2.385 €   |
| 9   | 0 €                                     | -72,2 €          | -838,8 €       | 129,9 €       | -781,1 €       | -653,6 €   | -1.212,5 €                  | 0 €           | -1.212,5 €     | -1.014,5 € | 360,9 €     | -2.024,0 € |
| 10  | -904,5 €                                | -73,6 €          | -847,2 €       | 131,2 €       | -1.694,1 €     | -1.389,8 € | -1.224,6 €                  | 0 €           | -1.224,6 €     | -1.004,6 € | -385,2 €    | -2.409,2 € |
| 11  | 0 €                                     | -75,1 €          | -855,6 €       | 132,5 €       | -798,3 €       | -642 €     | -1.236,8 €                  | 0 €           | -1.236,8 €     | -994,8 €   | 352,8 €     | -2.056,4 € |
| 12  | 0 €                                     | -76,6 €          | -864,2 €       | 133,8 €       | -807 €         | -636,3 €   | -1.249,2 €                  | 0 €           | -1.249,2 €     | -985 €     | 348,7 €     | -1.707,7 € |
| 13  | 0 €                                     | -78,1 €          | -872,8 €       | 135,1 €       | -815,8 €       | -630,7 €   | -1.261,7 €                  | 0 €           | -1.261,7 €     | -975,3 €   | 344,6 €     | -1.363,1 € |
| 14  | 0 €                                     | -79,7 €          | -881,6 €       | 136,5 €       | -824,8 €       | -625,1 €   | -1.274,3 €                  | 0 €           | -1.274,3 €     | -965,8 €   | 340,7 €     | -1.022 €   |
| 15  | 0 €                                     | -81,3 €          | -890,4 €       | 137,8 €       | -833,8 €       | -619,5 €   | -1.287,1 €                  | 0 €           | -1.287,1 €     | -956,3 €   | 336,8 €     | -685,6 €   |
| 16  | 0 €                                     | -82,9 €          | -899,3 €       | 139,2 €       | -843 €         | -614,1 €   | -1.299,9 €                  | 0 €           | -1.299,9 €     | -946,9 €   | 332,8 €     | -352,8 €   |
| 17  | 0 €                                     | -84,6 €          | -908,3 €       | 140,6 €       | -852,2 €       | -608,6 €   | -1.312,9 €                  | 0 €           | -1.312,9 €     | -937,7 €   | 329,1 €     | -23,7 €    |
| 18  | 0 €                                     | -86,3 €          | -917,3 €       | 142 €         | -861,6 €       | -603,2 €   | -1.326,1 €                  | 0 €           | -1.326,1 €     | -928,5 €   | 325,3 €     | 301,6 €    |
| 19  | 0 €                                     | -88 €            | -926,5 €       | 143,4 €       | -871,1 €       | -597,9 €   | -1.339,3 €                  | 0 €           | -1.339,3 €     | -919,4 €   | 321,5 €     | 623,1 €    |
| 20  | -1.102,6 €                              | -89,8 €          | -935,8 €       | 144,9 €       | -1.983,2 €     | -1.334,7 € | -1.352,7 €                  | 0 €           | -1.352,7 €     | -910,3 €   | -424,4 €    | 198,7 €    |
| 21  | 0 €                                     | -91,5 €          | -945,1 €       | 146,3 €       | -890,4 €       | -587,4 €   | -1.366,3 €                  | 0 €           | -1.366,3 €     | -901,4 €   | 314,0 €     | 512,7 €    |
| 22  | 0 €                                     | -93,4 €          | -954,6 €       | 147,8 €       | -900,2 €       | -582,3 €   | -1.379,9 €                  | 0 €           | -1.379,9 €     | -892,6 €   | 310,3 €     | 823,0 €    |
| 23  | 0 €                                     | -95,2 €          | -964,1 €       | 149,3 €       | -910,1 €       | -577,2 €   | -1.393,7 €                  | 0 €           | -1.393,7 €     | -883,8 €   | 306,6 €     | 1.129,6 €  |
| 24  | 0 €                                     | -97,1 €          | -973,8 €       | 150,8 €       | -920,2 €       | -572,1 €   | -1.407,6 €                  | 0 €           | -1.407,6 €     | -875,2 €   | 303,1 €     | 1.432,7 €  |
| 25  | 608,7 €                                 | -99,1 €          | -983,5 €       | 152,3 €       | -321,7 €       | -196,1 €   | -1.421,7 €                  | 0 €           | -1.421,7 €     | -866,6 €   | 670,5 €     | 2.103,2 €  |

VAN 22.341,8 €

PAYBACK 17 años

AHORRO 2.103,2 €

LCOE 0,19 €/kWh

**26. Instalación Inflación electricidad 1.5% Bilbao**

| AÑO | INSTALACION AUTOCONSUMO CONECTADA A RED |                  |                |               |                |            | INSTALACION SIN AUTOCONSUMO |               |                |            | COMPARATIVA |            |
|-----|-----------------------------------------|------------------|----------------|---------------|----------------|------------|-----------------------------|---------------|----------------|------------|-------------|------------|
|     | COSTES INSTALACION                      | C, MANTENIMIENTO | COMPRA ENERGIA | VENTA ENERGIA | FLUJOS DE CAJA | VAN        | COMPRA ENERGIA              | VENTA ENERGIA | FLUJOS DE CAJA | VAN        | AHORRO      | BALANCE    |
| 0   | -5.426,3 €                              | 0 €              | 0 €            | 0 €           | -5.426,3 €     | -5.426,3 € | 0 €                         | 0 €           | 0 €            | 0 €        | -5.426,3 €  | -5.426,3 € |
| 1   | 0 €                                     | -61,6 €          | -778,4 €       | 120,5 €       | -719,5 €       | -705,4 €   | -1.125,2 €                  | 0 €           | -1.125,2 €     | -1.103,2 € | 397,8 €     | -5.028,5 € |
| 2   | 0 €                                     | -62,8 €          | -790,1 €       | 122,3 €       | -730,6 €       | -702,2 €   | -1.142,1 €                  | 0 €           | -1.142,1 €     | -1.097,8 € | 395,6 €     | -4.632,9 € |
| 3   | 0 €                                     | -64,1 €          | -802 €         | 124,2 €       | -741,9 €       | -699,1 €   | -1.159,3 €                  | 0 €           | -1.159,3 €     | -1.092,4 € | 393,3 €     | -4.240 €   |
| 4   | 0 €                                     | -65,4 €          | -814 €         | 126 €         | -753,3 €       | -696 €     | -1.176,6 €                  | 0 €           | -1.176,6 €     | -1.087 €   | 391,0 €     | -3.848,6 € |
| 5   | 0 €                                     | -66,7 €          | -826,2 €       | 127,9 €       | -765 €         | -692,9 €   | -1.194,3 €                  | 0 €           | -1.194,3 €     | -1.081,7 € | 388,8 €     | -3.459,8 € |
| 6   | 0 €                                     | -68 €            | -838,6 €       | 129,8 €       | -776,8 €       | -689,8 €   | -1.212,2 €                  | 0 €           | -1.212,2 €     | -1.076,4 € | 386,6 €     | -3.073,2 € |
| 7   | 0 €                                     | -69,4 €          | -851,2 €       | 131,8 €       | -788,8 €       | -686,7 €   | -1.230,4 €                  | 0 €           | -1.230,4 €     | -1.071,1 € | 384,4 €     | -2.688,8 € |
| 8   | 0 €                                     | -70,8 €          | -863,9 €       | 133,8 €       | -800,9 €       | -683,6 €   | -1.248,8 €                  | 0 €           | -1.248,8 €     | -1.065,9 € | 382,3 €     | -2.307 €   |
| 9   | 0 €                                     | -72,2 €          | -876,9 €       | 135,8 €       | -813,3 €       | -680,5 €   | -1.267,6 €                  | 0 €           | -1.267,6 €     | -1.060,7 € | 380,2 €     | -1.926,3 € |
| 10  | -904,5 €                                | -73,6 €          | -890 €         | 137,8 €       | -1.730,4 €     | -1.419,5 € | -1.286,6 €                  | 0 €           | -1.286,6 €     | -1.055,5 € | -364,0 €    | -2.290,3 € |
| 11  | 0 €                                     | -75,1 €          | -903,4 €       | 139,9 €       | -838,6 €       | -674,5 €   | -1.305,9 €                  | 0 €           | -1.305,9 €     | -1.050,3 € | 375,8 €     | -1.914,5 € |
| 12  | 0 €                                     | -76,6 €          | -916,9 €       | 142 €         | -851,6 €       | -671,5 €   | -1.325,5 €                  | 0 €           | -1.325,5 €     | -1.045,1 € | 373,6 €     | -1.540,9 € |
| 13  | 0 €                                     | -78,1 €          | -930,7 €       | 144,1 €       | -864,7 €       | -668,5 €   | -1.345,4 €                  | 0 €           | -1.345,4 €     | -1.040 €   | 371,5 €     | -1.169,4 € |
| 14  | 0 €                                     | -79,7 €          | -944,7 €       | 146,3 €       | -878,1 €       | -665,5 €   | -1.365,5 €                  | 0 €           | -1.365,5 €     | -1.034,9 € | 369,4 €     | -800 €     |
| 15  | 0 €                                     | -81,3 €          | -958,8 €       | 148,4 €       | -891,7 €       | -662,5 €   | -1.386 €                    | 0 €           | -1.386 €       | -1.029,8 € | 367,3 €     | -432,7 €   |
| 16  | 0 €                                     | -82,9 €          | -973,2 €       | 150,7 €       | -905,5 €       | -659,6 €   | -1.406,8 €                  | 0 €           | -1.406,8 €     | -1.024,8 € | 365,2 €     | -67,5 €    |
| 17  | 0 €                                     | -84,6 €          | -987,8 €       | 152,9 €       | -919,4 €       | -656,6 €   | -1.427,9 €                  | 0 €           | -1.427,9 €     | -1.019,8 € | 363,2 €     | 295,7 €    |
| 18  | 0 €                                     | -86,3 €          | -1.002,6 €     | 155,2 €       | -933,7 €       | -653,7 €   | -1.449,3 €                  | 0 €           | -1.449,3 €     | -1.014,8 € | 361,1 €     | 656,8 €    |
| 19  | 0 €                                     | -88 €            | -1.017,7 €     | 157,6 €       | -948,1 €       | -650,8 €   | -1.471,1 €                  | 0 €           | -1.471,1 €     | -1.009,8 € | 359,0 €     | 1.015,8 €  |
| 20  | -1.102,6 €                              | -89,8 €          | -1.032,9 €     | 159,9 €       | -2.065,3 €     | -1.389,9 € | -1.493,1 €                  | 0 €           | -1.493,1 €     | -1.004,8 € | -385,1 €    | 630,7 €    |
| 21  | 0 €                                     | -91,5 €          | -1.048,4 €     | 162,3 €       | -977,7 €       | -645 €     | -1.515,5 €                  | 0 €           | -1.515,5 €     | -999,9 €   | 354,9 €     | 985,6 €    |
| 22  | 0 €                                     | -93,4 €          | -1.064,2 €     | 164,8 €       | -992,8 €       | -642,2 €   | -1.538,3 €                  | 0 €           | -1.538,3 €     | -995 €     | 352,8 €     | 1.338,4 €  |
| 23  | 0 €                                     | -95,2 €          | -1.080,1 €     | 167,2 €       | -1.008,1 €     | -639,3 €   | -1.561,4 €                  | 0 €           | -1.561,4 €     | -990,1 €   | 350,8 €     | 1.689,2 €  |
| 24  | 0 €                                     | -97,1 €          | -1.096,3 €     | 169,7 €       | -1.023,7 €     | -636,5 €   | -1.584,8 €                  | 0 €           | -1.584,8 €     | -985,3 €   | 348,8 €     | 2.038,0 €  |
| 25  | 608,7 €                                 | -99,1 €          | -1.112,8 €     | 172,3 €       | -430,9 €       | -262,7 €   | -1.608,5 €                  | 0 €           | -1.608,5 €     | -980,5 €   | 717,8 €     | 2.755,8 €  |

VAN 23.260,6 €

PAYBACK 16 años

AHORRO 2.755,8 €

LCOE 0,2 €/kWh

### 27. Instalación Inflación electricidad 3% Bilbao

| AÑO | INSTALACION AUTOCONSUMO CONECTADA A RED |                  |                |               |                |            | INSTALACION SIN AUTOCONSUMO |               |                |            | COMPARATIVA |            |
|-----|-----------------------------------------|------------------|----------------|---------------|----------------|------------|-----------------------------|---------------|----------------|------------|-------------|------------|
|     | COSTES INSTALACION                      | C, MANTENIMIENTO | COMPRA ENERGIA | VENTA ENERGIA | FLUJOS DE CAJA | VAN        | COMPRA ENERGIA              | VENTA ENERGIA | FLUJOS DE CAJA | VAN        | AHORRO      | BALANCE    |
| 0   | -5.426,3 €                              | 0 €              | 0 €            | 0 €           | -5.426,3 €     | -5.426,3 € | 0 €                         | 0 €           | 0 €            | 0 €        | -5.426,3 €  | -5.426,3 € |
| 1   | 0 €                                     | -61,6 €          | -789,9 €       | 122,3 €       | -729,2 €       | -714,9 €   | -1.141,9 €                  | 0 €           | -1.141,9 €     | -1.119,5 € | 404,6 €     | -5.021,7 € |
| 2   | 0 €                                     | -62,8 €          | -813,6 €       | 126 €         | -750,5 €       | -721,4 €   | -1.176,1 €                  | 0 €           | -1.176,1 €     | -1.130,5 € | 409,1 €     | -4.612,6 € |
| 3   | 0 €                                     | -64,1 €          | -838 €         | 129,7 €       | -772,4 €       | -727,8 €   | -1.211,4 €                  | 0 €           | -1.211,4 €     | -1.141,5 € | 413,7 €     | -4.199 €   |
| 4   | 0 €                                     | -65,4 €          | -863,2 €       | 133,6 €       | -794,9 €       | -734,4 €   | -1.247,8 €                  | 0 €           | -1.247,8 €     | -1.152,7 € | 418,3 €     | -3.780,6 € |
| 5   | 0 €                                     | -66,7 €          | -889,1 €       | 137,6 €       | -818,1 €       | -741 €     | -1.285,2 €                  | 0 €           | -1.285,2 €     | -1.164 €   | 423,0 €     | -3.357,6 € |
| 6   | 0 €                                     | -68,0 €          | -915,7 €       | 141,8 €       | -842 €         | -747,7 €   | -1.323,7 €                  | 0 €           | -1.323,7 €     | -1.175,4 € | 427,7 €     | -2.929,9 € |
| 7   | 0 €                                     | -69,4 €          | -943,2 €       | 146 €         | -866,6 €       | -754,4 €   | -1.363,5 €                  | 0 €           | -1.363,5 €     | -1.187 €   | 432,6 €     | -2.497,3 € |
| 8   | 0 €                                     | -70,8 €          | -971,5 €       | 150,4 €       | -891,9 €       | -761,2 €   | -1.404,4 €                  | 0 €           | -1.404,4 €     | -1.198,6 € | 437,4 €     | -2.060 €   |
| 9   | 0 €                                     | -72,2 €          | -1.000,7 €     | 154,9 €       | -917,9 €       | -768,1 €   | -1.446,5 €                  | 0 €           | -1.446,5 €     | -1.210,4 € | 442,3 €     | -1.617,6 € |
| 10  | -904,5 €                                | -73,6 €          | -1.030,7 €     | 159,6 €       | -1.849,2 €     | -1.517 €   | -1.489,9 €                  | 0 €           | -1.489,9 €     | -1.222,2 € | -294,8 €    | -1.912,4 € |
| 11  | 0 €                                     | -75,1 €          | -1.061,6 €     | 164,4 €       | -972,3 €       | -782 €     | -1.534,6 €                  | 0 €           | -1.534,6 €     | -1.234,2 € | 452,2 €     | -1.460,2 € |
| 12  | 0 €                                     | -76,6 €          | -1.093,4 €     | 169,3 €       | -1.000,8 €     | -789,1 €   | -1.580,6 €                  | 0 €           | -1.580,6 €     | -1.246,3 € | 457,2 €     | -1.003,0 € |
| 13  | 0 €                                     | -78,1 €          | -1.126,2 €     | 174,4 €       | -1.030 €       | -796,2 €   | -1.628 €                    | 0 €           | -1.628 €       | -1.258,5 € | 462,3 €     | -540,7 €   |
| 14  | 0 €                                     | -79,7 €          | -1.160 €       | 179,6 €       | -1.060,1 €     | -803,4 €   | -1.676,9 €                  | 0 €           | -1.676,9 €     | -1.270,9 € | 467,5 €     | -73 €      |
| 15  | 0 €                                     | -81,3 €          | -1.194,8 €     | 185 €         | -1.091,1 €     | -810,7 €   | -1.727,2 €                  | 0 €           | -1.727,2 €     | -1.283,3 € | 472,6 €     | 399,4 €    |
| 16  | 0 €                                     | -82,9 €          | -1.230,7 €     | 190,5 €       | -1.123,1 €     | -818,1 €   | -1.779 €                    | 0 €           | -1.779 €       | -1.295,9 € | 477,8 €     | 877,2 €    |
| 17  | 0 €                                     | -84,6 €          | -1.267,6 €     | 196,3 €       | -1.155,9 €     | -825,5 €   | -1.832,4 €                  | 0 €           | -1.832,4 €     | -1.308,6 € | 483,1 €     | 1.360,3 €  |
| 18  | 0 €                                     | -86,3 €          | -1.305,6 €     | 202,1 €       | -1.189,8 €     | -833 €     | -1.887,3 €                  | 0 €           | -1.887,3 €     | -1.321,4 € | 488,4 €     | 1.848,7 €  |
| 19  | 0 €                                     | -88,0 €          | -1.344,8 €     | 208,2 €       | -1.224,6 €     | -840,6 €   | -1.944 €                    | 0 €           | -1.944 €       | -1.334,4 € | 493,8 €     | 2.342,5 €  |
| 20  | -1.102,6 €                              | -89,8 €          | -1.385,1 €     | 214,5 €       | -2.363 €       | -1.590,2 € | -2.002,3 €                  | 0 €           | -2.002,3 €     | -1.347,5 € | -242,7 €    | 2.099,8 €  |
| 21  | 0 €                                     | -91,5 €          | -1.426,7 €     | 220,9 €       | -1.297,4 €     | -856 €     | -2.062,4 €                  | 0 €           | -2.062,4 €     | -1.360,7 € | 504,7 €     | 2.604,5 €  |
| 22  | 0 €                                     | -93,4 €          | -1.469,5 €     | 227,5 €       | -1.335,4 €     | -863,8 €   | -2.124,2 €                  | 0 €           | -2.124,2 €     | -1.374 €   | 510,2 €     | 3.114,7 €  |
| 23  | 0 €                                     | -95,2 €          | -1.513,6 €     | 234,3 €       | -1.374,5 €     | -871,6 €   | -2.188 €                    | 0 €           | -2.188 €       | -1.387,5 € | 515,9 €     | 3.630,6 €  |
| 24  | 0 €                                     | -97,1 €          | -1.559 €       | 241,4 €       | -1.414,8 €     | -879,6 €   | -2.253,6 €                  | 0 €           | -2.253,6 €     | -1.401,1 € | 521,5 €     | 4.152,1 €  |
| 25  | 608,7 €                                 | -99,1 €          | -1.605,8 €     | 248,6 €       | -847,6 €       | -516,6 €   | -2.321,2 €                  | 0 €           | -2.321,2 €     | -1.414,8 € | 898,2 €     | 5.050,3 €  |

VAN 26.490,7 €

PAYBACK 14 años

AHORRO 5.050,3 €

LCOE 0,22 €/kWh

**28. Instalación Inflación general 1% Zaragoza**

| AÑO | INSTALACION AUTOCONSUMO CONECTADA A RED |                  |                |               |                |            | INSTALACION SIN AUTOCONSUMO |               |                |            | COMPARATIVA |            |
|-----|-----------------------------------------|------------------|----------------|---------------|----------------|------------|-----------------------------|---------------|----------------|------------|-------------|------------|
|     | COSTES INSTALACION                      | C, MANTENIMIENTO | COMPRA ENERGIA | VENTA ENERGIA | FLUJOS DE CAJA | VAN        | COMPRA ENERGIA              | VENTA ENERGIA | FLUJOS DE CAJA | VAN        | AHORRO      | BALANCE    |
| 0   | -4.487,9 €                              | 0 €              | 0 €            | 0 €           | -4.487,9 €     | -4.487,9 € | 0 €                         | 0 €           | 0 €            | 0 €        | -4.487,9 €  | -4.487,9 € |
| 1   | 0 €                                     | -54,1 €          | -773,7 €       | 105,8 €       | -722,1 €       | -707,9 €   | -1.130,8 €                  | 0 €           | -1.130,8 €     | -1.108,6 € | 400,7 €     | -4.087,2 € |
| 2   | 0 €                                     | -54,7 €          | -789,2 €       | 107,9 €       | -736 €         | -707,4 €   | -1.153,4 €                  | 0 €           | -1.153,4 €     | -1.108,6 € | 401,2 €     | -3.686,0 € |
| 3   | 0 €                                     | -55,2 €          | -805 €         | 110 €         | -750,2 €       | -706,9 €   | -1.176,5 €                  | 0 €           | -1.176,5 €     | -1.108,6 € | 401,7 €     | -3.284 €   |
| 4   | 0 €                                     | -55,8 €          | -821,1 €       | 112,2 €       | -764,6 €       | -706,4 €   | -1.200 €                    | 0 €           | -1.200 €       | -1.108,6 € | 402,2 €     | -2.882,1 € |
| 5   | 0 €                                     | -56,3 €          | -837,5 €       | 114,5 €       | -779,3 €       | -705,9 €   | -1.224 €                    | 0 €           | -1.224 €       | -1.108,6 € | 402,7 €     | -2.479,4 € |
| 6   | 0 €                                     | -56,9 €          | -854,2 €       | 116,8 €       | -794,4 €       | -705,4 €   | -1.248,5 €                  | 0 €           | -1.248,5 €     | -1.108,6 € | 403,2 €     | -2.076,2 € |
| 7   | 0 €                                     | 57,5 €           | -871,3 €       | 119,1 €       | -809,7 €       | -704,9 €   | -1.273,5 €                  | 0 €           | -1.273,5 €     | -1.108,6 € | 403,7 €     | -1.672,5 € |
| 8   | 0 €                                     | -58,0 €          | -888,7 €       | 121,5 €       | -825,3 €       | -704,4 €   | -1.298,9 €                  | 0 €           | -1.298,9 €     | -1.108,6 € | 404,2 €     | -1.268 €   |
| 9   | 0 €                                     | -58,6 €          | -906,5 €       | 123,9 €       | -841,2 €       | -703,9 €   | -1.324,9 €                  | 0 €           | -1.324,9 €     | -1.108,6 € | 404,7 €     | -863,6 €   |
| 10  | -819,6 €                                | -59,2 €          | -924,6 €       | 126,4 €       | -1.677,1 €     | -1.375,8 € | -1.351,4 €                  | 0 €           | -1.351,4 €     | -1.108,6 € | -267,2 €    | -1.130,8 € |
| 11  | 0 €                                     | -59,8 €          | -943,1 €       | 128,9 €       | -874 €         | -702,9 €   | -1.378,4 €                  | 0 €           | -1.378,4 €     | -1.108,6 € | 405,7 €     | -725,1 €   |
| 12  | 0 €                                     | -60,4 €          | -962 €         | 131,5 €       | -890,9 €       | -702,5 €   | -1.406 €                    | 0 €           | -1.406 €       | -1.108,6 € | 406,1 €     | -319,0 €   |
| 13  | 0 €                                     | -61,0 €          | -981,2 €       | 134,1 €       | -908,1 €       | -702 €     | -1.434,1 €                  | 0 €           | -1.434,1 €     | -1.108,6 € | 406,6 €     | 87,6 €     |
| 14  | 0 €                                     | -61,6 €          | -1.000,9 €     | 136,8 €       | -925,7 €       | -701,5 €   | -1.462,8 €                  | 0 €           | -1.462,8 €     | -1.108,6 € | 407,1 €     | 495 €      |
| 15  | 0 €                                     | -62,2 €          | -1.020,9 €     | 139,5 €       | -943,6 €       | -701,1 €   | -1.492,1 €                  | 0 €           | -1.492,1 €     | -1.108,6 € | 407,5 €     | 902,2 €    |
| 16  | 0 €                                     | -62,9 €          | -1.041,3 €     | 142,3 €       | -961,8 €       | -700,6 €   | -1.521,9 €                  | 0 €           | -1.521,9 €     | -1.108,6 € | 408,0 €     | 1.310,2 €  |
| 17  | 0 €                                     | -63,5 €          | -1.062,1 €     | 145,2 €       | -980,4 €       | -700,2 €   | -1.552,3 €                  | 0 €           | -1.552,3 €     | -1.108,6 € | 408,4 €     | 1.718,6 €  |
| 18  | 0 €                                     | -64,1 €          | -1.083,4 €     | 148,1 €       | -999,4 €       | -699,7 €   | -1.583,4 €                  | 0 €           | -1.583,4 €     | -1.108,6 € | 408,9 €     | 2.127,5 €  |
| 19  | 0 €                                     | -64,8 €          | -1.105 €       | 151 €         | -1.018,7 €     | -699,3 €   | -1.615 €                    | 0 €           | -1.615 €       | -1.108,6 € | 409,3 €     | 2.536,8 €  |
| 20  | -905,4 €                                | -65,4 €          | -1.127,1 €     | 154,1 €       | -1.943,8 €     | -1.308,2 € | -1.647,3 €                  | 0 €           | -1.647,3 €     | -1.108,6 € | -199,6 €    | 2.337,2 €  |
| 21  | 0 €                                     | -66,1 €          | -1.149,7 €     | 157,1 €       | -1.058,6 €     | -698,4 €   | -1.680,3 €                  | 0 €           | -1.680,3 €     | -1.108,6 € | 410,2 €     | 2.747,4 €  |
| 22  | 0 €                                     | -66,7 €          | -1.172,7 €     | 160,3 €       | -1.079,1 €     | -698 €     | -1.713,9 €                  | 0 €           | -1.713,9 €     | -1.108,6 € | 410,6 €     | 3.158,0 €  |
| 23  | 0 €                                     | -67,4 €          | -1.196,1 €     | 163,5 €       | -1.100 €       | -697,6 €   | -1.748,2 €                  | 0 €           | -1.748,2 €     | -1.108,6 € | 411,0 €     | 3.569,0 €  |
| 24  | 0 €                                     | -68,1 €          | -1.220 €       | 166,8 €       | -1.121,3 €     | -697,2 €   | -1.783,1 €                  | 0 €           | -1.783,1 €     | -1.108,6 € | 411,4 €     | 3.980,4 €  |
| 25  | 475,8 €                                 | -68,7 €          | -1.244,4 €     | 170,1 €       | -667,3 €       | -406,7 €   | -1.818,8 €                  | 0 €           | -1.818,8 €     | -1.108,6 € | 701,9 €     | 4.682,3 €  |

VAN 23.032,6 €

PAYBACK 12 años

AHORRO 4.682,3 €

LCOE 0,19 €/kWh

**29. Instalación Inflación general 1.5% Zaragoza**

| AÑO | INSTALACION AUTOCONSUMO CONECTADA A RED |                  |                |               |                |            | INSTALACION SIN AUTOCONSUMO |               |                |            | COMPARATIVA |            |
|-----|-----------------------------------------|------------------|----------------|---------------|----------------|------------|-----------------------------|---------------|----------------|------------|-------------|------------|
|     | COSTES INSTALACION                      | C, MANTENIMIENTO | COMPRA ENERGIA | VENTA ENERGIA | FLUJOS DE CAJA | VAN        | COMPRA ENERGIA              | VENTA ENERGIA | FLUJOS DE CAJA | VAN        | AHORRO      | BALANCE    |
| 0   | -4.487,9 €                              | 0 €              | 0 €            | 0 €           | -4.487,9 €     | -4.487,9 € | 0 €                         | 0 €           | 0 €            | 0 €        | -4.487,9 €  | -4.487,9 € |
| 1   | 0 €                                     | -54,4 €          | -773,7 €       | 105,8 €       | -722,3 €       | -708,2 €   | -1.130,8 €                  | 0 €           | -1.130,8 €     | -1.108,6 € | 400,4 €     | -4.087,5 € |
| 2   | 0 €                                     | -55,2 €          | -789,2 €       | 107,9 €       | -736,5 €       | -707,9 €   | -1.153,4 €                  | 0 €           | -1.153,4 €     | -1.108,6 € | 400,7 €     | -3.686,8 € |
| 3   | 0 €                                     | -56 €            | -805 €         | 110 €         | -751 €         | -707,7 €   | -1.176,5 €                  | 0 €           | -1.176,5 €     | -1.108,6 € | 400,9 €     | -3.286 €   |
| 4   | 0 €                                     | -56,9 €          | -821,1 €       | 112,2 €       | -765,7 €       | -707,4 €   | -1.200 €                    | 0 €           | -1.200 €       | -1.108,6 € | 401,2 €     | -2.884,7 € |
| 5   | 0 €                                     | -57,7 €          | -837,5 €       | 114,5 €       | -780,7 €       | -707,1 €   | -1.224 €                    | 0 €           | -1.224 €       | -1.108,6 € | 401,5 €     | -2.483,2 € |
| 6   | 0 €                                     | -58,6 €          | -854,2 €       | 116,8 €       | -796,1 €       | -706,9 €   | -1.248,5 €                  | 0 €           | -1.248,5 €     | -1.108,6 € | 401,7 €     | -2.081,5 € |
| 7   | 0 €                                     | -59,5 €          | -871,3 €       | 119,1 €       | -811,7 €       | -706,6 €   | -1.273,5 €                  | 0 €           | -1.273,5 €     | -1.108,6 € | 402,0 €     | -1.679,5 € |
| 8   | 0 €                                     | -60,4 €          | -888,7 €       | 121,5 €       | -827,6 €       | -706,4 €   | -1.298,9 €                  | 0 €           | -1.298,9 €     | -1.108,6 € | 402,2 €     | -1.277 €   |
| 9   | 0 €                                     | -61,3 €          | -906,5 €       | 123,9 €       | -843,9 €       | -706,1 €   | -1.324,9 €                  | 0 €           | -1.324,9 €     | -1.108,6 € | 402,5 €     | -874,8 €   |
| 10  | -861,1 €                                | -62,2 €          | -924,6 €       | 126,4 €       | -1.721,6 €     | -1.412,3 € | -1.351,4 €                  | 0 €           | -1.351,4 €     | -1.108,6 € | -303,7 €    | -1.178,5 € |
| 11  | 0 €                                     | -63,1 €          | -943,1 €       | 128,9 €       | -877,4 €       | -705,6 €   | -1.378,4 €                  | 0 €           | -1.378,4 €     | -1.108,6 € | 403,0 €     | -775,5 €   |
| 12  | 0 €                                     | -64,1 €          | -962 €         | 131,5 €       | -894,6 €       | -705,4 €   | -1.406 €                    | 0 €           | -1.406 €       | -1.108,6 € | 403,2 €     | -372,3 €   |
| 13  | 0 €                                     | -65 €            | -981,2 €       | 134,1 €       | -912,2 €       | -705,1 €   | -1.434,1 €                  | 0 €           | -1.434,1 €     | -1.108,6 € | 403,5 €     | 31,2 €     |
| 14  | 0 €                                     | -66 €            | -1.000,9 €     | 136,8 €       | -930,1 €       | -704,9 €   | -1.462,8 €                  | 0 €           | -1.462,8 €     | -1.108,6 € | 403,7 €     | 435 €      |
| 15  | 0 €                                     | -67 €            | -1.020,9 €     | 139,5 €       | -948,3 €       | -704,6 €   | -1.492,1 €                  | 0 €           | -1.492,1 €     | -1.108,6 € | 404,0 €     | 838,9 €    |
| 16  | 0 €                                     | -68 €            | -1.041,3 €     | 142,3 €       | -967 €         | -704,4 €   | -1.521,9 €                  | 0 €           | -1.521,9 €     | -1.108,6 € | 404,2 €     | 1.243,1 €  |
| 17  | 0 €                                     | -69 €            | -1.062,1 €     | 145,2 €       | -986 €         | -704,1 €   | -1.552,3 €                  | 0 €           | -1.552,3 €     | -1.108,6 € | 404,5 €     | 1.647,6 €  |
| 18  | 0 €                                     | -70,1 €          | -1.083,4 €     | 148,1 €       | -1.005,4 €     | -703,9 €   | -1.583,4 €                  | 0 €           | -1.583,4 €     | -1.108,6 € | 404,7 €     | 2.052,3 €  |
| 19  | 0 €                                     | -71,1 €          | -1.105 €       | 151 €         | -1.025,1 €     | -703,7 €   | -1.615 €                    | 0 €           | -1.615 €       | -1.108,6 € | 404,9 €     | 2.457,2 €  |
| 20  | -999,4 €                                | -72,2 €          | -1.127,1 €     | 154,1 €       | -2.044,6 €     | -1.376 €   | -1.647,3 €                  | 0 €           | -1.647,3 €     | -1.108,6 € | -267,4 €    | 2.189,8 €  |
| 21  | 0 €                                     | -73,3 €          | -1.149,7 €     | 157,1 €       | -1.065,8 €     | -703,2 €   | -1.680,3 €                  | 0 €           | -1.680,3 €     | -1.108,6 € | 405,4 €     | 2.595,2 €  |
| 22  | 0 €                                     | -74,4 €          | -1.172,7 €     | 160,3 €       | -1.086,8 €     | -703 €     | -1.713,9 €                  | 0 €           | -1.713,9 €     | -1.108,6 € | 405,6 €     | 3.000,8 €  |
| 23  | 0 €                                     | -75,5 €          | -1.196,1 €     | 163,5 €       | -1.108,1 €     | -702,7 €   | -1.748,2 €                  | 0 €           | -1.748,2 €     | -1.108,6 € | 405,9 €     | 3.406,7 €  |
| 24  | 0 €                                     | -76,6 €          | -1.220 €       | 166,8 €       | -1.129,9 €     | -702,5 €   | -1.783,1 €                  | 0 €           | -1.783,1 €     | -1.108,6 € | 406,1 €     | 3.812,8 €  |
| 25  | 538,3 €                                 | -77,8 €          | -1.244,4 €     | 170,1 €       | -613,8 €       | -374,1 €   | -1.818,8 €                  | 0 €           | -1.818,8 €     | -1.108,6 € | 734,5 €     | 4.547,3 €  |

VAN 23.167,7 €

PAYBACK 12 años

AHORRO 4.547,3 €

LCOE 0,2 €/kWh

### 30. Instalación Inflación general 3% Zaragoza

| AÑO | COSTES INSTALACION | C, MANTENIMIENTO | COMPRA ENERGIA | VENTA ENERGIA | FLUJOS DE CAJA | VAN        | COMPRA ENERGIA | VENTA ENERGIA | FLUJOS DE CAJA | VAN        | AHORRO     | BALANCE    |
|-----|--------------------|------------------|----------------|---------------|----------------|------------|----------------|---------------|----------------|------------|------------|------------|
| 0   | -4.487,9 €         | 0 €              | 0 €            | 0 €           | -4.487,9 €     | -4.487,9 € | 0 €            | 0 €           | 0 €            | 0 €        | -4.487,9 € | -4.487,9 € |
| 1   | 0 €                | -55,2 €          | -773,7 €       | 105,8 €       | -723,2 €       | -709 €     | -1.130,8 €     | 0 €           | -1.130,8 €     | -1.108,6 € | 399,6 €    | -4.088,3 € |
| 2   | 0 €                | -56,9 €          | -789,2 €       | 107,9 €       | -738,2 €       | -709,5 €   | -1.153,4 €     | 0 €           | -1.153,4 €     | -1.108,6 € | 399,1 €    | -3.689,2 € |
| 3   | 0 €                | -58,6 €          | -805 €         | 110 €         | -753,5 €       | -710 €     | -1.176,5 €     | 0 €           | -1.176,5 €     | -1.108,6 € | 398,6 €    | -3.291 €   |
| 4   | 0 €                | -60,3 €          | -821,1 €       | 112,2 €       | -769,2 €       | -710,6 €   | -1.200 €       | 0 €           | -1.200 €       | -1.108,6 € | 398,0 €    | -2.892,6 € |
| 5   | 0 €                | -62,1 €          | -837,5 €       | 114,5 €       | -785,1 €       | -711,1 €   | -1.224 €       | 0 €           | -1.224 €       | -1.108,6 € | 397,5 €    | -2.495,1 € |
| 6   | 0 €                | -64 €            | -854,2 €       | 116,8 €       | -801,5 €       | -711,7 €   | -1.248,5 €     | 0 €           | -1.248,5 €     | -1.108,6 € | 396,9 €    | -2.098,2 € |
| 7   | 0 €                | -65,9 €          | -871,3 €       | 119,1 €       | -818,1 €       | -712,2 €   | -1.273,5 €     | 0 €           | -1.273,5 €     | -1.108,6 € | 396,4 €    | -1.701,8 € |
| 8   | 0 €                | -67,9 €          | -888,7 €       | 121,5 €       | -835,2 €       | -712,8 €   | -1.298,9 €     | 0 €           | -1.298,9 €     | -1.108,6 € | 395,8 €    | -1.306 €   |
| 9   | 0 €                | -69,9 €          | -906,5 €       | 123,9 €       | -852,5 €       | -713,4 €   | -1.324,9 €     | 0 €           | -1.324,9 €     | -1.108,6 € | 395,2 €    | -910,8 €   |
| 10  | -997,2 €           | -72 €            | -924,6 €       | 126,4 €       | -1.867,5 €     | -1.532 €   | -1.351,4 €     | 0 €           | -1.351,4 €     | -1.108,6 € | -423,4 €   | -1.334,2 € |
| 11  | 0 €                | -74,2 €          | -943,1 €       | 128,9 €       | -888,4 €       | -714,5 €   | -1.378,4 €     | 0 €           | -1.378,4 €     | -1.108,6 € | 394,1 €    | -940,1 €   |
| 12  | 0 €                | -76,4 €          | -962 €         | 131,5 €       | -906,9 €       | -715,1 €   | -1.406 €       | 0 €           | -1.406 €       | -1.108,6 € | 393,5 €    | -546,6 €   |
| 13  | 0 €                | -78,7 €          | -981,2 €       | 134,1 €       | -925,8 €       | -715,7 €   | -1.434,1 €     | 0 €           | -1.434,1 €     | -1.108,6 € | 392,9 €    | -153,7 €   |
| 14  | 0 €                | -81,1 €          | -1.000,9 €     | 136,8 €       | -945,1 €       | -716,3 €   | -1.462,8 €     | 0 €           | -1.462,8 €     | -1.108,6 € | 392,3 €    | 239 €      |
| 15  | 0 €                | -83,5 €          | -1.020,9 €     | 139,5 €       | -964,8 €       | -716,9 €   | -1.492,1 €     | 0 €           | -1.492,1 €     | -1.108,6 € | 391,7 €    | 630,3 €    |
| 16  | 0 €                | -86 €            | -1.041,3 €     | 142,3 €       | -985 €         | -717,5 €   | -1.521,9 €     | 0 €           | -1.521,9 €     | -1.108,6 € | 391,1 €    | 1.021,4 €  |
| 17  | 0 €                | -88,6 €          | -1.062,1 €     | 145,2 €       | -1.005,5 €     | -718,1 €   | -1.552,3 €     | 0 €           | -1.552,3 €     | -1.108,6 € | 390,5 €    | 1.411,9 €  |
| 18  | 0 €                | -91,3 €          | -1.083,4 €     | 148,1 €       | -1.026,5 €     | -718,7 €   | -1.583,4 €     | 0 €           | -1.583,4 €     | -1.108,6 € | 389,9 €    | 1.801,8 €  |
| 19  | 0 €                | -94 €            | -1.105 €       | 151 €         | -1.048 €       | -719,4 €   | -1.615 €       | 0 €           | -1.615 €       | -1.108,6 € | 389,2 €    | 2.191,0 €  |
| 20  | -1.340,1 €         | -96,8 €          | -1.127,1 €     | 154,1 €       | -2.410 €       | -1.621,9 € | -1.647,3 €     | 0 €           | -1.647,3 €     | -1.108,6 € | -513,3 €   | 1.677,7 €  |
| 21  | 0 €                | -99,7 €          | -1.149,7 €     | 157,1 €       | -1.092,2 €     | -720,6 €   | -1.680,3 €     | 0 €           | -1.680,3 €     | -1.108,6 € | 388,0 €    | 2.065,7 €  |
| 22  | 0 €                | -102,7 €         | -1.172,7 €     | 160,3 €       | -1.115,1 €     | -721,3 €   | -1.713,9 €     | 0 €           | -1.713,9 €     | -1.108,6 € | 387,3 €    | 2.453,0 €  |
| 23  | 0 €                | -105,8 €         | -1.196,1 €     | 163,5 €       | -1.138,4 €     | -721,9 €   | -1.748,2 €     | 0 €           | -1.748,2 €     | -1.108,6 € | 386,7 €    | 2.839,7 €  |
| 24  | 0 €                | -109 €           | -1.220 €       | 166,8 €       | -1.162,2 €     | -722,6 €   | -1.783,1 €     | 0 €           | -1.783,1 €     | -1.108,6 € | 386,0 €    | 3.225,7 €  |
| 25  | 776,8 €            | -112,2 €         | -1.244,4 €     | 170,1 €       | -409,8 €       | -249,8 €   | -1.818,8 €     | 0 €           | -1.818,8 €     | -1.108,6 € | 858,8 €    | 4.084,5 €  |

VAN 23.630,4 €

PAYBACK 13 años

AHORRO 4.084,5 €

LCOE 0,2 €/kWh

### 31. Instalación Inflación general 1% Sevilla

| AÑO | INSTALACION AUTOCONSUMO CONECTADA A RED |                  |                |               |                |            | INSTALACION SIN AUTOCONSUMO |               |                |            | COMPARATIVA |            |
|-----|-----------------------------------------|------------------|----------------|---------------|----------------|------------|-----------------------------|---------------|----------------|------------|-------------|------------|
|     | COSTES INSTALACION                      | C, MANTENIMIENTO | COMPRA ENERGIA | VENTA ENERGIA | FLUJOS DE CAJA | VAN        | COMPRA ENERGIA              | VENTA ENERGIA | FLUJOS DE CAJA | VAN        | AHORRO      | BALANCE    |
| 0   | -4.487,9 €                              | 0 €              | 0 €            | 0 €           | -4.487,9 €     | -4.487,9 € | 0 €                         | 0 €           | 0 €            | 0 €        | -4.487,9 €  | -4.487,9 € |
| 1   | 0 €                                     | -54,1 €          | -740,7 €       | 107,8 €       | -687 €         | -673,6 €   | -1.130,8 €                  | 0 €           | -1.130,8 €     | -1.108,6 € | 435,0 €     | -4.052,9 € |
| 2   | 0 €                                     | -54,7 €          | -755,5 €       | 109,9 €       | -700,2 €       | -673 €     | -1.153,4 €                  | 0 €           | -1.153,4 €     | -1.108,6 € | 435,6 €     | -3.617,3 € |
| 3   | 0 €                                     | -55,2 €          | -770,6 €       | 112,1 €       | -713,7 €       | -672,5 €   | -1.176,5 €                  | 0 €           | -1.176,5 €     | -1.108,6 € | 436,1 €     | -3.181 €   |
| 4   | 0 €                                     | -55,8 €          | -786 €         | 114,4 €       | -727,4 €       | -672 €     | -1.200 €                    | 0 €           | -1.200 €       | -1.108,6 € | 436,6 €     | -2.744,6 € |
| 5   | 0 €                                     | -56,3 €          | -801,7 €       | 116,6 €       | -741,4 €       | -671,5 €   | -1.224 €                    | 0 €           | -1.224 €       | -1.108,6 € | 437,1 €     | -2.307,5 € |
| 6   | 0 €                                     | -56,9 €          | -817,7 €       | 119 €         | -755,7 €       | -671 €     | -1.248,5 €                  | 0 €           | -1.248,5 €     | -1.108,6 € | 437,6 €     | -1.869,9 € |
| 7   | 0 €                                     | 57,5 €           | -834,1 €       | 121,4 €       | -770,2 €       | -670,5 €   | -1.273,5 €                  | 0 €           | -1.273,5 €     | -1.108,6 € | 438,1 €     | -1.431,8 € |
| 8   | 0 €                                     | -58,0 €          | -850,8 €       | 123,8 €       | -785 €         | -670 €     | -1.298,9 €                  | 0 €           | -1.298,9 €     | -1.108,6 € | 438,6 €     | -993 €     |
| 9   | 0 €                                     | -58,6 €          | -867,8 €       | 126,3 €       | -800,2 €       | -669,5 €   | -1.324,9 €                  | 0 €           | -1.324,9 €     | -1.108,6 € | 439,1 €     | -554,1 €   |
| 10  | -819,6 €                                | -59,2 €          | -885,1 €       | 128,8 €       | -1.635,2 €     | -1.341,4 € | -1.351,4 €                  | 0 €           | -1.351,4 €     | -1.108,6 € | -232,8 €    | -786,9 €   |
| 11  | 0 €                                     | -59,8 €          | -902,9 €       | 131,4 €       | -831,3 €       | -668,6 €   | -1.378,4 €                  | 0 €           | -1.378,4 €     | -1.108,6 € | 440,0 €     | -346,9 €   |
| 12  | 0 €                                     | -60,4 €          | -920,9 €       | 134 €         | -847,3 €       | -668,1 €   | -1.406 €                    | 0 €           | -1.406 €       | -1.108,6 € | 440,5 €     | 93,6 €     |
| 13  | 0 €                                     | -61,0 €          | -939,3 €       | 136,7 €       | -863,7 €       | -667,6 €   | -1.434,1 €                  | 0 €           | -1.434,1 €     | -1.108,6 € | 441,0 €     | 534,6 €    |
| 14  | 0 €                                     | -61,6 €          | -958,1 €       | 139,4 €       | -880,3 €       | -667,2 €   | -1.462,8 €                  | 0 €           | -1.462,8 €     | -1.108,6 € | 441,4 €     | 976 €      |
| 15  | 0 €                                     | -62,2 €          | -977,3 €       | 142,2 €       | -897,3 €       | -666,7 €   | -1.492,1 €                  | 0 €           | -1.492,1 €     | -1.108,6 € | 441,9 €     | 1.417,9 €  |
| 16  | 0 €                                     | -62,9 €          | -996,8 €       | 145 €         | -914,6 €       | -666,3 €   | -1.521,9 €                  | 0 €           | -1.521,9 €     | -1.108,6 € | 442,3 €     | 1.860,2 €  |
| 17  | 0 €                                     | -63,5 €          | -1.016,8 €     | 147,9 €       | -932,3 €       | -665,8 €   | -1.552,3 €                  | 0 €           | -1.552,3 €     | -1.108,6 € | 442,8 €     | 2.303,0 €  |
| 18  | 0 €                                     | -64,1 €          | -1.037,1 €     | 150,9 €       | -950,3 €       | -665,4 €   | -1.583,4 €                  | 0 €           | -1.583,4 €     | -1.108,6 € | 443,2 €     | 2.746,2 €  |
| 19  | 0 €                                     | -64,8 €          | -1.057,8 €     | 153,9 €       | -968,7 €       | -664,9 €   | -1.615 €                    | 0 €           | -1.615 €       | -1.108,6 € | 443,7 €     | 3.189,9 €  |
| 20  | -905,4 €                                | -65,4 €          | -1.079 €       | 157 €         | -1.892,8 €     | -1.273,8 € | -1.647,3 €                  | 0 €           | -1.647,3 €     | -1.108,6 € | -165,2 €    | 3.024,7 €  |
| 21  | 0 €                                     | -66,1 €          | -1.100,6 €     | 160,1 €       | -1.006,5 €     | -664,1 €   | -1.680,3 €                  | 0 €           | -1.680,3 €     | -1.108,6 € | 444,5 €     | 3.469,2 €  |
| 22  | 0 €                                     | -66,7 €          | -1.122,6 €     | 163,3 €       | -1.026 €       | -663,6 €   | -1.713,9 €                  | 0 €           | -1.713,9 €     | -1.108,6 € | 445,0 €     | 3.914,2 €  |
| 23  | 0 €                                     | -67,4 €          | -1.145 €       | 166,6 €       | -1.045,8 €     | -663,2 €   | -1.748,2 €                  | 0 €           | -1.748,2 €     | -1.108,6 € | 445,4 €     | 4.359,6 €  |
| 24  | 0 €                                     | -68,1 €          | -1.167,9 €     | 169,9 €       | -1.066,1 €     | -662,8 €   | -1.783,1 €                  | 0 €           | -1.783,1 €     | -1.108,6 € | 445,8 €     | 4.805,4 €  |
| 25  | 475,8 €                                 | -68,7 €          | -1.191,3 €     | 173,3 €       | -610,9 €       | -372,4 €   | -1.818,8 €                  | 0 €           | -1.818,8 €     | -1.108,6 € | 736,2 €     | 5.541,6 €  |

VAN 22.173,6 €

PAYBACK 11 años

AHORRO 5.541,6 €

LCOE 0,19 €/kWh

### 32.Instalación Inflación general 1.5% Sevilla

| AÑO | INSTALACION AUTOCONSUMO CONECTADA A RED |                  |                |               |                |            | INSTALACION SIN AUTOCONSUMO |               |                |            | COMPARATIVA |            |
|-----|-----------------------------------------|------------------|----------------|---------------|----------------|------------|-----------------------------|---------------|----------------|------------|-------------|------------|
|     | COSTES INSTALACION                      | C, MANTENIMIENTO | COMPRA ENERGIA | VENTA ENERGIA | FLUJOS DE CAJA | VAN        | COMPRA ENERGIA              | VENTA ENERGIA | FLUJOS DE CAJA | VAN        | AHORRO      | BALANCE    |
| 0   | -4.487,9 €                              | 0 €              | 0 €            | 0 €           | -4.487,9 €     | -4.487,9 € | 0 €                         | 0 €           | 0 €            | 0 €        | -4.487,9 €  | -4.487,9 € |
| 1   | 0 €                                     | -54,4 €          | -740,7 €       | -107,8 €      | -687,3 €       | -673,8 €   | -1.130,8 €                  | 0 €           | -1.130,8 €     | -1.108,6 € | 434,8 €     | -4.053,1 € |
| 2   | 0 €                                     | -55,2 €          | -755,5 €       | -109,9 €      | -700,8 €       | -673,6 €   | -1.153,4 €                  | 0 €           | -1.153,4 €     | -1.108,6 € | 435,0 €     | -3.618,1 € |
| 3   | 0 €                                     | -56 €            | -770,6 €       | -112,1 €      | -714,5 €       | -673,3 €   | -1.176,5 €                  | 0 €           | -1.176,5 €     | -1.108,6 € | 435,3 €     | -3.183 €   |
| 4   | 0 €                                     | -56,9 €          | -786 €         | -114,4 €      | -728,5 €       | -673 €     | -1.200 €                    | 0 €           | -1.200 €       | -1.108,6 € | 435,6 €     | -2.747,2 € |
| 5   | 0 €                                     | -57,7 €          | -801,7 €       | -116,6 €      | -742,8 €       | -672,8 €   | -1.224 €                    | 0 €           | -1.224 €       | -1.108,6 € | 435,8 €     | -2.311,4 € |
| 6   | 0 €                                     | -58,6 €          | -817,7 €       | -119 €        | -757,4 €       | -672,5 €   | -1.248,5 €                  | 0 €           | -1.248,5 €     | -1.108,6 € | 436,1 €     | -1.875,3 € |
| 7   | 0 €                                     | -59,5 €          | -834,1 €       | -121,4 €      | -772,2 €       | -672,3 €   | -1.273,5 €                  | 0 €           | -1.273,5 €     | -1.108,6 € | 436,3 €     | -1.439,0 € |
| 8   | 0 €                                     | -60,4 €          | -850,8 €       | -123,8 €      | -787,4 €       | -672 €     | -1.298,9 €                  | 0 €           | -1.298,9 €     | -1.108,6 € | 436,6 €     | -1.002 €   |
| 9   | 0 €                                     | -61,3 €          | -867,8 €       | -126,3 €      | -802,8 €       | -671,8 €   | -1.324,9 €                  | 0 €           | -1.324,9 €     | -1.108,6 € | 436,8 €     | -565,6 €   |
| 10  | -861,1 €                                | -62,2 €          | -885,1 €       | -128,8 €      | -1.679,7 €     | -1.377,9 € | -1.351,4 €                  | 0 €           | -1.351,4 €     | -1.108,6 € | -269,3 €    | -834,9 €   |
| 11  | 0 €                                     | -63,1 €          | -902,9 €       | -131,4 €      | -834,6 €       | -671,3 €   | -1.378,4 €                  | 0 €           | -1.378,4 €     | -1.108,6 € | 437,3 €     | -397,6 €   |
| 12  | 0 €                                     | -64,1 €          | -920,9 €       | -134 €        | -851 €         | -671 €     | -1.406 €                    | 0 €           | -1.406 €       | -1.108,6 € | 437,6 €     | 40,0 €     |
| 13  | 0 €                                     | -65 €            | -939,3 €       | -136,7 €      | -867,7 €       | -670,8 €   | -1.434,1 €                  | 0 €           | -1.434,1 €     | -1.108,6 € | 437,8 €     | 477,8 €    |
| 14  | 0 €                                     | -66 €            | -958,1 €       | -139,4 €      | -884,7 €       | -670,5 €   | -1.462,8 €                  | 0 €           | -1.462,8 €     | -1.108,6 € | 438,1 €     | 916 €      |
| 15  | 0 €                                     | -67 €            | -977,3 €       | -142,2 €      | -902,1 €       | -670,3 €   | -1.492,1 €                  | 0 €           | -1.492,1 €     | -1.108,6 € | 438,3 €     | 1.354,2 €  |
| 16  | 0 €                                     | -68 €            | -996,8 €       | -145 €        | -919,8 €       | -670 €     | -1.521,9 €                  | 0 €           | -1.521,9 €     | -1.108,6 € | 438,6 €     | 1.792,8 €  |
| 17  | 0 €                                     | -69 €            | -1.016,8 €     | -147,9 €      | -937,9 €       | -669,8 €   | -1.552,3 €                  | 0 €           | -1.552,3 €     | -1.108,6 € | 438,8 €     | 2.231,6 €  |
| 18  | 0 €                                     | -70,1 €          | -1.037,1 €     | -150,9 €      | -956,3 €       | -669,6 €   | -1.583,4 €                  | 0 €           | -1.583,4 €     | -1.108,6 € | 439,0 €     | 2.670,6 €  |
| 19  | 0 €                                     | -71,1 €          | -1.057,8 €     | -153,9 €      | -975,1 €       | -669,3 €   | -1.615 €                    | 0 €           | -1.615 €       | -1.108,6 € | 439,3 €     | 3.109,9 €  |
| 20  | -999,4 €                                | -72,2 €          | -1.079 €       | -157 €        | -1.993,6 €     | -1.341,6 € | -1.647,3 €                  | 0 €           | -1.647,3 €     | -1.108,6 € | -233,0 €    | 2.876,9 €  |
| 21  | 0 €                                     | -73,3 €          | -1.100,6 €     | -160,1 €      | -1.013,7 €     | -668,8 €   | -1.680,3 €                  | 0 €           | -1.680,3 €     | -1.108,6 € | 439,8 €     | 3.316,7 €  |
| 22  | 0 €                                     | -74,4 €          | -1.122,6 €     | -163,3 €      | -1.033,6 €     | -668,6 €   | -1.713,9 €                  | 0 €           | -1.713,9 €     | -1.108,6 € | 440,0 €     | 3.756,7 €  |
| 23  | 0 €                                     | -75,5 €          | -1.145 €       | -166,6 €      | -1.053,9 €     | -668,4 €   | -1.748,2 €                  | 0 €           | -1.748,2 €     | -1.108,6 € | 440,2 €     | 4.196,9 €  |
| 24  | 0 €                                     | -76,6 €          | -1.167,9 €     | -169,9 €      | -1.074,6 €     | -668,1 €   | -1.783,1 €                  | 0 €           | -1.783,1 €     | -1.108,6 € | 440,5 €     | 4.637,4 €  |
| 25  | 538,3 €                                 | -77,8 €          | -1.191,3 €     | -173,3 €      | -557,4 €       | -339,8 €   | -1.818,8 €                  | 0 €           | -1.818,8 €     | -1.108,6 € | 768,8 €     | 5.406,2 €  |

VAN 22.308,8 €

PAYBACK 11 años

AHORRO 5.406,2 €

LCOE 0,19 €/kWh

### 33. Instalación Inflación general 3% Sevilla

| AÑO | INSTALACION AUTOCONSUMO CONECTADA A RED |                  |                |               |                |            | INSTALACION SIN AUTOCONSUMO |               |                |            | COMPARATIVA |            |
|-----|-----------------------------------------|------------------|----------------|---------------|----------------|------------|-----------------------------|---------------|----------------|------------|-------------|------------|
|     | COSTES INSTALACION                      | C, MANTENIMIENTO | COMPRA ENERGIA | VENTA ENERGIA | FLUJOS DE CAJA | VAN        | COMPRA ENERGIA              | VENTA ENERGIA | FLUJOS DE CAJA | VAN        | AHORRO      | BALANCE    |
| 0   | -4.487,9 €                              | 0 €              | 0 €            | 0 €           | -4.487,9 €     | -4.487,9 € | 0 €                         | 0 €           | 0 €            | 0 €        | -4.487,9 €  | -4.487,9 € |
| 1   | 0 €                                     | -55,2 €          | -740,7 €       | 107,8 €       | -688,1 €       | -674,6 €   | -1.130,8 €                  | 0 €           | -1.130,8 €     | -1.108,6 € | 434,0 €     | -4.053,9 € |
| 2   | 0 €                                     | -56,9 €          | -755,5 €       | 109,9 €       | -702,4 €       | -675,1 €   | -1.153,4 €                  | 0 €           | -1.153,4 €     | -1.108,6 € | 433,5 €     | -3.620,4 € |
| 3   | 0 €                                     | -58,6 €          | -770,6 €       | 112,1 €       | -717 €         | -675,7 €   | -1.176,5 €                  | 0 €           | -1.176,5 €     | -1.108,6 € | 432,9 €     | -3.188 €   |
| 4   | 0 €                                     | -60,3 €          | -786 €         | 114,4 €       | -732 €         | -676,2 €   | -1.200 €                    | 0 €           | -1.200 €       | -1.108,6 € | 432,4 €     | -2.755,1 € |
| 5   | 0 €                                     | -62,1 €          | -801,7 €       | 116,6 €       | -747,2 €       | -676,8 €   | -1.224 €                    | 0 €           | -1.224 €       | -1.108,6 € | 431,8 €     | -2.323,3 € |
| 6   | 0 €                                     | -64 €            | -817,7 €       | 119 €         | -762,8 €       | -677,3 €   | -1.248,5 €                  | 0 €           | -1.248,5 €     | -1.108,6 € | 431,3 €     | -1.892,0 € |
| 7   | 0 €                                     | -65,9 €          | -834,1 €       | 121,4 €       | -778,7 €       | -677,9 €   | -1.273,5 €                  | 0 €           | -1.273,5 €     | -1.108,6 € | 430,7 €     | -1.461,3 € |
| 8   | 0 €                                     | -67,9 €          | -850,8 €       | 123,8 €       | -794,9 €       | -678,4 €   | -1.298,9 €                  | 0 €           | -1.298,9 €     | -1.108,6 € | 430,2 €     | -1.031 €   |
| 9   | 0 €                                     | -69,9 €          | -867,8 €       | 126,3 €       | -811,5 €       | -679 €     | -1.324,9 €                  | 0 €           | -1.324,9 €     | -1.108,6 € | 429,6 €     | -601,5 €   |
| 10  | -997,2 €                                | -72 €            | -885,1 €       | 128,8 €       | -1.825,6 €     | -1.497,6 € | -1.351,4 €                  | 0 €           | -1.351,4 €     | -1.108,6 € | -389,0 €    | -990,5 €   |
| 11  | 0 €                                     | -74,2 €          | -902,9 €       | 131,4 €       | -845,7 €       | -680,2 €   | -1.378,4 €                  | 0 €           | -1.378,4 €     | -1.108,6 € | 428,4 €     | -562,1 €   |
| 12  | 0 €                                     | -76,4 €          | -920,9 €       | 134 €         | -863,3 €       | -680,7 €   | -1.406 €                    | 0 €           | -1.406 €       | -1.108,6 € | 427,9 €     | -134,2 €   |
| 13  | 0 €                                     | -78,7 €          | -939,3 €       | 136,7 €       | -881,4 €       | -681,3 €   | -1.434,1 €                  | 0 €           | -1.434,1 €     | -1.108,6 € | 427,3 €     | 293,1 €    |
| 14  | 0 €                                     | -81,1 €          | -958,1 €       | 139,4 €       | -899,8 €       | -681,9 €   | -1.462,8 €                  | 0 €           | -1.462,8 €     | -1.108,6 € | 426,7 €     | 720 €      |
| 15  | 0 €                                     | -83,5 €          | -977,3 €       | 142,2 €       | -918,6 €       | -682,5 €   | -1.492,1 €                  | 0 €           | -1.492,1 €     | -1.108,6 € | 426,1 €     | 1.145,9 €  |
| 16  | 0 €                                     | -86 €            | -996,8 €       | 145 €         | -937,8 €       | -683,1 €   | -1.521,9 €                  | 0 €           | -1.521,9 €     | -1.108,6 € | 425,5 €     | 1.571,4 €  |
| 17  | 0 €                                     | -88,6 €          | -1.016,8 €     | 147,9 €       | -957,4 €       | -683,8 €   | -1.552,3 €                  | 0 €           | -1.552,3 €     | -1.108,6 € | 424,8 €     | 1.996,2 €  |
| 18  | 0 €                                     | -91,3 €          | -1.037,1 €     | 150,9 €       | -977,5 €       | -684,4 €   | -1.583,4 €                  | 0 €           | -1.583,4 €     | -1.108,6 € | 424,2 €     | 2.420,4 €  |
| 19  | 0 €                                     | -94 €            | -1.057,8 €     | 153,9 €       | -997,9 €       | -685 €     | -1.615 €                    | 0 €           | -1.615 €       | -1.108,6 € | 423,6 €     | 2.844,0 €  |
| 20  | -1.340,1 €                              | -96,8 €          | -1.079 €       | 157 €         | -2.359 €       | -1.587,5 € | -1.647,3 €                  | 0 €           | -1.647,3 €     | -1.108,6 € | -478,9 €    | 2.365,1 €  |
| 21  | 0 €                                     | -99,7 €          | -1.100,6 €     | 160,1 €       | -1.040,2 €     | -686,3 €   | -1.680,3 €                  | 0 €           | -1.680,3 €     | -1.108,6 € | 422,3 €     | 2.787,4 €  |
| 22  | 0 €                                     | -102,7 €         | -1.122,6 €     | 163,3 €       | -1.062 €       | -686,9 €   | -1.713,9 €                  | 0 €           | -1.713,9 €     | -1.108,6 € | 421,7 €     | 3.209,1 €  |
| 23  | 0 €                                     | -105,8 €         | -1.145 €       | 166,6 €       | -1.084,2 €     | -687,6 €   | -1.748,2 €                  | 0 €           | -1.748,2 €     | -1.108,6 € | 421,0 €     | 3.630,1 €  |
| 24  | 0 €                                     | -109 €           | -1.167,9 €     | 169,9 €       | -1.107 €       | -688,2 €   | -1.783,1 €                  | 0 €           | -1.783,1 €     | -1.108,6 € | 420,4 €     | 4.050,5 €  |
| 25  | 776,8 €                                 | -112,2 €         | -1.191,3 €     | 173,3 €       | -353,4 €       | -215,4 €   | -1.818,8 €                  | 0 €           | -1.818,8 €     | -1.108,6 € | 893,2 €     | 4.943,7 €  |

VAN 22.771,5 €

PAYBACK 12 años

AHORRO 4.943,7 €

LCOE 0,19 €/kWh

### 34. Instalación Inflación general 1% Bilbao

| AÑO | INSTALACION AUTOCONSUMO CONECTADA A RED |                  |                |               |                |            | INSTALACION SIN AUTOCONSUMO |               |                |            | COMPARATIVA |            |
|-----|-----------------------------------------|------------------|----------------|---------------|----------------|------------|-----------------------------|---------------|----------------|------------|-------------|------------|
|     | COSTES INSTALACION                      | C, MANTENIMIENTO | COMPRA ENERGIA | VENTA ENERGIA | FLUJOS DE CAJA | VAN        | COMPRA ENERGIA              | VENTA ENERGIA | FLUJOS DE CAJA | VAN        | AHORRO      | BALANCE    |
| 0   | -4.487,9 €                              | 0 €              | 0 €            | 0 €           | -5.426,3 €     | -5.426,3 € | 0 €                         | 0 €           | 0 €            | 0 €        | -5.426,3 €  | -5.426,3 € |
| 1   | 0 €                                     | -61 €            | -782,3 €       | 121,1 €       | -722,2 €       | -708 €     | -1.130,8 €                  | 0 €           | -1.130,8 €     | -1.108,6 € | 400,6 €     | -5.025,7 € |
| 2   | 0 €                                     | -61,6 €          | -797,9 €       | 123,5 €       | -736 €         | -707,4 €   | -1.153,4 €                  | 0 €           | -1.153,4 €     | -1.108,6 € | 401,2 €     | -4.624,5 € |
| 3   | 0 €                                     | -62,2 €          | -813,9 €       | 126 €         | -750,1 €       | -706,8 €   | -1.176,5 €                  | 0 €           | -1.176,5 €     | -1.108,6 € | 401,8 €     | -4.223 €   |
| 4   | 0 €                                     | -62,9 €          | -830,1 €       | 128,5 €       | -764,5 €       | -706,2 €   | -1.200 €                    | 0 €           | -1.200 €       | -1.108,6 € | 402,4 €     | -3.820,3 € |
| 5   | 0 €                                     | -63,5 €          | -846,7 €       | 131,1 €       | -779,1 €       | -705,7 €   | -1.224 €                    | 0 €           | -1.224 €       | -1.108,6 € | 402,9 €     | -3.417,4 € |
| 6   | 0 €                                     | -64,1 €          | -863,7 €       | 133,7 €       | -794,1 €       | -705,1 €   | -1.248,5 €                  | 0 €           | -1.248,5 €     | -1.108,6 € | 403,5 €     | -3.013,9 € |
| 7   | 0 €                                     | -64,8 €          | -881 €         | 136,4 €       | -809,3 €       | -704,6 €   | -1.273,5 €                  | 0 €           | -1.273,5 €     | -1.108,6 € | 404,0 €     | -2.609,9 € |
| 8   | 0 €                                     | -65,4 €          | -898,6 €       | 139,1 €       | -824,9 €       | -704 €     | -1.298,9 €                  | 0 €           | -1.298,9 €     | -1.108,6 € | 404,6 €     | -2.205 €   |
| 9   | 0 €                                     | -66,1 €          | -916,5 €       | 141,9 €       | -840,7 €       | -703,5 €   | -1.324,9 €                  | 0 €           | -1.324,9 €     | -1.108,6 € | 405,1 €     | -1.800,2 € |
| 10  | -819,6 €                                | -66,7 €          | -934,9 €       | 144,7 €       | -1.676,5 €     | -1.375,3 € | -1.351,4 €                  | 0 €           | -1.351,4 €     | -1.108,6 € | -266,7 €    | -2.066,9 € |
| 11  | 0 €                                     | -67,4 €          | -953,6 €       | 147,6 €       | -873,3 €       | -702,4 €   | -1.378,4 €                  | 0 €           | -1.378,4 €     | -1.108,6 € | 406,2 €     | -1.660,7 € |
| 12  | 0 €                                     | -68,1 €          | -972,6 €       | 150,6 €       | -890,1 €       | -701,8 €   | -1.406 €                    | 0 €           | -1.406 €       | -1.108,6 € | 406,8 €     | -1.253,9 € |
| 13  | 0 €                                     | -68,7 €          | -992,1 €       | 153,6 €       | -907,2 €       | -701,3 €   | -1.434,1 €                  | 0 €           | -1.434,1 €     | -1.108,6 € | 407,3 €     | -846,6 €   |
| 14  | 0 €                                     | -69,4 €          | -1.011,9 €     | 156,7 €       | -924,7 €       | -700,8 €   | -1.462,8 €                  | 0 €           | -1.462,8 €     | -1.108,6 € | 407,8 €     | -439 €     |
| 15  | 0 €                                     | -70,1 €          | -1.032,2 €     | 159,8 €       | -942,5 €       | -700,3 €   | -1.492,1 €                  | 0 €           | -1.492,1 €     | -1.108,6 € | 408,3 €     | -30,5 €    |
| 16  | 0 €                                     | -70,8 €          | -1.052,8 €     | 163 €         | -960,6 €       | -699,8 €   | -1.521,9 €                  | 0 €           | -1.521,9 €     | -1.108,6 € | 408,8 €     | 378,3 €    |
| 17  | 0 €                                     | -71,5 €          | -1.073,9 €     | 166,3 €       | -979,1 €       | -699,3 €   | -1.552,3 €                  | 0 €           | -1.552,3 €     | -1.108,6 € | 409,3 €     | 787,6 €    |
| 18  | 0 €                                     | -72,2 €          | -1.095,4 €     | 169,6 €       | -998 €         | -698,8 €   | -1.583,4 €                  | 0 €           | -1.583,4 €     | -1.108,6 € | 409,8 €     | 1.197,4 €  |
| 19  | 0 €                                     | -73 €            | -1.117,3 €     | 173 €         | -1.017,3 €     | -698,3 €   | -1.615 €                    | 0 €           | -1.615 €       | -1.108,6 € | 410,3 €     | 1.607,7 €  |
| 20  | -905,4 €                                | -73,7 €          | -1.139,6 €     | 176,4 €       | -1.942,2 €     | -1.307,1 € | -1.647,3 €                  | 0 €           | -1.647,3 €     | -1.108,6 € | -198,5 €    | 1.409,2 €  |
| 21  | 0 €                                     | -74,4 €          | -1.162,4 €     | 180 €         | -1.056,9 €     | -697,3 €   | -1.680,3 €                  | 0 €           | -1.680,3 €     | -1.108,6 € | 411,3 €     | 1.820,5 €  |
| 22  | 0 €                                     | -75,2 €          | -1.185,6 €     | 183,6 €       | -1.077,3 €     | -696,8 €   | -1.713,9 €                  | 0 €           | -1.713,9 €     | -1.108,6 € | 411,8 €     | 2.232,3 €  |
| 23  | 0 €                                     | -75,9 €          | -1.209,4 €     | 187,2 €       | -1.098,1 €     | -696,3 €   | -1.748,2 €                  | 0 €           | -1.748,2 €     | -1.108,6 € | 412,3 €     | 2.644,6 €  |
| 24  | 0 €                                     | -76,7 €          | -1.233,5 €     | 191 €         | -1.119,3 €     | -695,9 €   | -1.783,1 €                  | 0 €           | -1.783,1 €     | -1.108,6 € | 412,7 €     | 3.057,3 €  |
| 25  | 475,8 €                                 | -77,5 €          | -1.258,2 €     | 194,8 €       | -665,1 €       | -405,4 €   | -1.818,8 €                  | 0 €           | -1.818,8 €     | -1.108,6 € | 703,2 €     | 3.760,5 €  |

VAN 23.954,4 €

PAYBACK 15 años

AHORRO 3.760,5 €

LCOE 0,2 €/kWh

### 35. Instalación Inflación general 1.5% Bilbao

| AÑO | INSTALACION AUTOCONSUMO CONECTADA A RED |                  |                |               |                |            | INSTALACION SIN AUTOCONSUMO |               |                |            | COMPARATIVA |            |
|-----|-----------------------------------------|------------------|----------------|---------------|----------------|------------|-----------------------------|---------------|----------------|------------|-------------|------------|
|     | COSTES INSTALACION                      | C, MANTENIMIENTO | COMPRA ENERGIA | VENTA ENERGIA | FLUJOS DE CAJA | VAN        | COMPRA ENERGIA              | VENTA ENERGIA | FLUJOS DE CAJA | VAN        | AHORRO      | BALANCE    |
| 0   | -4.487,9 €                              | 0 €              | 0 €            | 0 €           | -5.426,3 €     | -5.426,3 € | 0 €                         | 0 €           | 0 €            | 0 €        | -5.426,3 €  | -5.426,3 € |
| 1   | 0 €                                     | -61,3 €          | -782,3 €       | 121,1 €       | -722,5 €       | -708,3 €   | -1.130,8 €                  | 0 €           | -1.130,8 €     | -1.108,6 € | 400,3 €     | -5.026,0 € |
| 2   | 0 €                                     | -62,2 €          | -797,9 €       | 123,5 €       | -736,6 €       | -708 €     | -1.153,4 €                  | 0 €           | -1.153,4 €     | -1.108,6 € | 400,6 €     | -4.625,4 € |
| 3   | 0 €                                     | -63,2 €          | -813,9 €       | 126 €         | -751 €         | -707,7 €   | -1.176,5 €                  | 0 €           | -1.176,5 €     | -1.108,6 € | 400,9 €     | -4.225 €   |
| 4   | 0 €                                     | -64,1 €          | -830,1 €       | 128,5 €       | -765,7 €       | -707,4 €   | -1.200 €                    | 0 €           | -1.200 €       | -1.108,6 € | 401,2 €     | -3.823,3 € |
| 5   | 0 €                                     | -65,1 €          | -846,7 €       | 131,1 €       | -780,7 €       | -707,1 €   | -1.224 €                    | 0 €           | -1.224 €       | -1.108,6 € | 401,5 €     | -3.421,8 € |
| 6   | 0 €                                     | -66 €            | -863,7 €       | 133,7 €       | -796 €         | -706,8 €   | -1.248,5 €                  | 0 €           | -1.248,5 €     | -1.108,6 € | 401,8 €     | -3.020,0 € |
| 7   | 0 €                                     | -67 €            | -881 €         | 136,4 €       | -811,6 €       | -706,5 €   | -1.273,5 €                  | 0 €           | -1.273,5 €     | -1.108,6 € | 402,1 €     | -2.617,9 € |
| 8   | 0 €                                     | -68 €            | -898,6 €       | 139,1 €       | -827,5 €       | -706,3 €   | -1.298,9 €                  | 0 €           | -1.298,9 €     | -1.108,6 € | 402,3 €     | -2.216 €   |
| 9   | 0 €                                     | -69,1 €          | -916,5 €       | 141,9 €       | -843,7 €       | -706 €     | -1.324,9 €                  | 0 €           | -1.324,9 €     | -1.108,6 € | 402,6 €     | -1.813,0 € |
| 10  | -861,1 €                                | -70,1 €          | -934,9 €       | 144,7 €       | -1.721,4 €     | -1.412,1 € | -1.351,4 €                  | 0 €           | -1.351,4 €     | -1.108,6 € | -303,5 €    | -2.116,5 € |
| 11  | 0 €                                     | -71,1 €          | -953,6 €       | 147,6 €       | -877,1 €       | -705,4 €   | -1.378,4 €                  | 0 €           | -1.378,4 €     | -1.108,6 € | 403,2 €     | -1.713,3 € |
| 12  | 0 €                                     | -72,2 €          | -972,6 €       | 150,6 €       | -894,3 €       | -705,1 €   | -1.406 €                    | 0 €           | -1.406 €       | -1.108,6 € | 403,5 €     | -1.309,8 € |
| 13  | 0 €                                     | -73,3 €          | -992,1 €       | 153,6 €       | -911,8 €       | -704,8 €   | -1.434,1 €                  | 0 €           | -1.434,1 €     | -1.108,6 € | 403,8 €     | -906,0 €   |
| 14  | 0 €                                     | -74,4 €          | -1.011,9 €     | 156,7 €       | -929,7 €       | -704,6 €   | -1.462,8 €                  | 0 €           | -1.462,8 €     | -1.108,6 € | 404,0 €     | -502 €     |
| 15  | 0 €                                     | -75,5 €          | -1.032,2 €     | 159,8 €       | -947,9 €       | -704,3 €   | -1.492,1 €                  | 0 €           | -1.492,1 €     | -1.108,6 € | 404,3 €     | -97,7 €    |
| 16  | 0 €                                     | -76,6 €          | -1.052,8 €     | 163 €         | -966,5 €       | -704 €     | -1.521,9 €                  | 0 €           | -1.521,9 €     | -1.108,6 € | 404,6 €     | 306,9 €    |
| 17  | 0 €                                     | -77,8 €          | -1.073,9 €     | 166,3 €       | -985,4 €       | -703,7 €   | -1.552,3 €                  | 0 €           | -1.552,3 €     | -1.108,6 € | 404,9 €     | 711,8 €    |
| 18  | 0 €                                     | -79 €            | -1.095,4 €     | 169,6 €       | -1.004,7 €     | -703,5 €   | -1.583,4 €                  | 0 €           | -1.583,4 €     | -1.108,6 € | 405,1 €     | 1.116,9 €  |
| 19  | 0 €                                     | -80,1 €          | -1.117,3 €     | 173 €         | -1.024,4 €     | -703,2 €   | -1.615 €                    | 0 €           | -1.615 €       | -1.108,6 € | 405,4 €     | 1.522,3 €  |
| 20  | -999,4 €                                | -81,4 €          | -1.139,6 €     | 176,4 €       | -2.043,9 €     | -1.375,5 € | -1.647,3 €                  | 0 €           | -1.647,3 €     | -1.108,6 € | -266,9 €    | 1.255,4 €  |
| 21  | 0 €                                     | -82,6 €          | -1.162,4 €     | 180 €         | -1.065 €       | -702,7 €   | -1.680,3 €                  | 0 €           | -1.680,3 €     | -1.108,6 € | 405,9 €     | 1.661,3 €  |
| 22  | 0 €                                     | -83,8 €          | -1.185,6 €     | 183,6 €       | -1.085,9 €     | -702,4 €   | -1.713,9 €                  | 0 €           | -1.713,9 €     | -1.108,6 € | 406,2 €     | 2.067,5 €  |
| 23  | 0 €                                     | -85,1 €          | -1.209,4 €     | 187,2 €       | -1.107,2 €     | -702,1 €   | -1.748,2 €                  | 0 €           | -1.748,2 €     | -1.108,6 € | 406,5 €     | 2.474,0 €  |
| 24  | 0 €                                     | -86,3 €          | -1.233,5 €     | 191 €         | -1.128,9 €     | -701,9 €   | -1.783,1 €                  | 0 €           | -1.783,1 €     | -1.108,6 € | 406,7 €     | 2.880,7 €  |
| 25  | 538,3 €                                 | -87,6 €          | -1.258,2 €     | 194,8 €       | -612,8 €       | -373,5 €   | -1.818,8 €                  | 0 €           | -1.818,8 €     | -1.108,6 € | 735,1 €     | 3.615,8 €  |

VAN 24.099,2 €

PAYBACK 15 años

AHORRO 3.615,8 €

LCOE 0,2 €/kWh

### 36. Instalación Inflación general 3% Bilbao

| AÑO | INSTALACION AUTOCONSUMO CONECTADA A RED |                  |                |               |                |            | INSTALACION SIN AUTOCONSUMO |               |                |            | COMPARATIVA |            |
|-----|-----------------------------------------|------------------|----------------|---------------|----------------|------------|-----------------------------|---------------|----------------|------------|-------------|------------|
|     | COSTES INSTALACION                      | C, MANTENIMIENTO | COMPRA ENERGIA | VENTA ENERGIA | FLUJOS DE CAJA | VAN        | COMPRA ENERGIA              | VENTA ENERGIA | FLUJOS DE CAJA | VAN        | AHORRO      | BALANCE    |
| 0   | -4.487,9 €                              | 0 €              | 0 €            | 0 €           | -5.426,3 €     | -5.426,3 € | 0 €                         | 0 €           | 0 €            | 0 €        | -5.426,3 €  | -5.426,3 € |
| 1   | 0 €                                     | -62,2 €          | -782,3 €       | 121,1 €       | -723,4 €       | -709,2 €   | -1.130,8 €                  | 0 €           | -1.130,8 €     | -1.108,6 € | 399,4 €     | -5.026,9 € |
| 2   | 0 €                                     | -64,1 €          | -797,9 €       | 123,5 €       | -738,4 €       | -709,8 €   | -1.153,4 €                  | 0 €           | -1.153,4 €     | -1.108,6 € | 398,8 €     | -4.628,1 € |
| 3   | 0 €                                     | -66 €            | -813,9 €       | 126 €         | -753,9 €       | -710,4 €   | -1.176,5 €                  | 0 €           | -1.176,5 €     | -1.108,6 € | 398,2 €     | -4.230 €   |
| 4   | 0 €                                     | -68 €            | -830,1 €       | 128,5 €       | -769,6 €       | -711 €     | -1.200 €                    | 0 €           | -1.200 €       | -1.108,6 € | 397,6 €     | -3.832,3 € |
| 5   | 0 €                                     | -70 €            | -846,7 €       | 131,1 €       | -785,7 €       | -711,6 €   | -1.224 €                    | 0 €           | -1.224 €       | -1.108,6 € | 397,0 €     | -3.435,3 € |
| 6   | 0 €                                     | -72,1 €          | -863,7 €       | 133,7 €       | -802,1 €       | -712,2 €   | -1.248,5 €                  | 0 €           | -1.248,5 €     | -1.108,6 € | 396,4 €     | -3.038,9 € |
| 7   | 0 €                                     | -74,3 €          | -881 €         | 136,4 €       | -818,8 €       | -712,9 €   | -1.273,5 €                  | 0 €           | -1.273,5 €     | -1.108,6 € | 395,7 €     | -2.643,2 € |
| 8   | 0 €                                     | -76,5 €          | -898,6 €       | 139,1 €       | -836 €         | -713,5 €   | -1.298,9 €                  | 0 €           | -1.298,9 €     | -1.108,6 € | 395,1 €     | -2.248 €   |
| 9   | 0 €                                     | -78,8 €          | -916,5 €       | 141,9 €       | -853,4 €       | -714,1 €   | -1.324,9 €                  | 0 €           | -1.324,9 €     | -1.108,6 € | 394,5 €     | -1.853,6 € |
| 10  | -997,2 €                                | -81,2 €          | -934,9 €       | 144,7 €       | -1.868,5 €     | -1.532,8 € | -1.351,4 €                  | 0 €           | -1.351,4 €     | -1.108,6 € | -424,2 €    | -2.277,8 € |
| 11  | 0 €                                     | -83,6 €          | -953,6 €       | 147,6 €       | -889,5 €       | -715,4 €   | -1.378,4 €                  | 0 €           | -1.378,4 €     | -1.108,6 € | 393,2 €     | -1.884,6 € |
| 12  | 0 €                                     | -86,1 €          | -972,6 €       | 150,6 €       | -908,2 €       | -716,1 €   | -1.406 €                    | 0 €           | -1.406 €       | -1.108,6 € | 392,5 €     | -1.492,1 € |
| 13  | 0 €                                     | -88,7 €          | -992,1 €       | 153,6 €       | -927,2 €       | -716,8 €   | -1.434,1 €                  | 0 €           | -1.434,1 €     | -1.108,6 € | 391,8 €     | -1.100,3 € |
| 14  | 0 €                                     | -91,4 €          | -1.011,9 €     | 156,7 €       | -946,6 €       | -717,4 €   | -1.462,8 €                  | 0 €           | -1.462,8 €     | -1.108,6 € | 391,2 €     | -709 €     |
| 15  | 0 €                                     | -94,1 €          | -1.032,2 €     | 159,8 €       | -966,5 €       | -718,1 €   | -1.492,1 €                  | 0 €           | -1.492,1 €     | -1.108,6 € | 390,5 €     | -318,6 €   |
| 16  | 0 €                                     | -96,9 €          | -1.052,8 €     | 163 €         | -986,7 €       | -718,8 €   | -1.521,9 €                  | 0 €           | -1.521,9 €     | -1.108,6 € | 389,8 €     | 71,2 €     |
| 17  | 0 €                                     | -99,8 €          | -1.073,9 €     | 166,3 €       | -1.007,4 €     | -719,5 €   | -1.552,3 €                  | 0 €           | -1.552,3 €     | -1.108,6 € | 389,1 €     | 460,3 €    |
| 18  | 0 €                                     | -102,8 €         | -1.095,4 €     | 169,6 €       | -1.028,6 €     | -720,2 €   | -1.583,4 €                  | 0 €           | -1.583,4 €     | -1.108,6 € | 388,4 €     | 848,7 €    |
| 19  | 0 €                                     | -105,9 €         | -1.117,3 €     | 173 €         | -1.050,2 €     | -720,9 €   | -1.615 €                    | 0 €           | -1.615 €       | -1.108,6 € | 387,7 €     | 1.236,4 €  |
| 20  | -1.340,1 €                              | -109,1 €         | -1.139,6 €     | 176,4 €       | -2.412,4 €     | -1.623,5 € | -1.647,3 €                  | 0 €           | -1.647,3 €     | -1.108,6 € | -514,9 €    | 721,5 €    |
| 21  | 0 €                                     | -112,4 €         | -1.162,4 €     | 180 €         | -1.094,8 €     | -722,3 €   | -1.680,3 €                  | 0 €           | -1.680,3 €     | -1.108,6 € | 386,3 €     | 1.107,8 €  |
| 22  | 0 €                                     | -115,7 €         | -1.185,6 €     | 183,6 €       | -1.117,8 €     | -723 €     | -1.713,9 €                  | 0 €           | -1.713,9 €     | -1.108,6 € | 385,6 €     | 1.493,4 €  |
| 23  | 0 €                                     | -119,2 €         | -1.209,4 €     | 187,2 €       | -1.141,3 €     | -723,8 €   | -1.748,2 €                  | 0 €           | -1.748,2 €     | -1.108,6 € | 384,8 €     | 1.878,2 €  |
| 24  | 0 €                                     | -122,8 €         | -1.233,5 €     | 191 €         | -1.165,3 €     | -724,5 €   | -1.783,1 €                  | 0 €           | -1.783,1 €     | -1.108,6 € | 384,1 €     | 2.262,3 €  |
| 25  | 776,8 €                                 | -126,5 €         | -1.258,2 €     | 194,8 €       | -413,1 €       | -251,8 €   | -1.818,8 €                  | 0 €           | -1.818,8 €     | -1.108,6 € | 856,8 €     | 3.119,1 €  |

VAN 24.595,7 €

PAYBACK 15 años

AHORRO 3.119,1 €

LCOE 0,21 €/kWh

### 37. Instalación sobredimensionada 5x2 Zaragoza

| AÑO | INSTALACION AUTOCONSUMO CONECTADA A RED |                  |                |               |                |            | INSTALACION SIN AUTOCONSUMO |               |                |            | COMPARATIVA |            |
|-----|-----------------------------------------|------------------|----------------|---------------|----------------|------------|-----------------------------|---------------|----------------|------------|-------------|------------|
|     | COSTES INSTALACION                      | C, MANTENIMIENTO | COMPRA ENERGIA | VENTA ENERGIA | FLUJOS DE CAJA | VAN        | COMPRA ENERGIA              | VENTA ENERGIA | FLUJOS DE CAJA | VAN        | AHORRO      | BALANCE    |
| 0   | -4.487,9 €                              | 0 €              | 0 €            | 0 €           | -4.957,1 €     | -4.957,1 € | 0 €                         | 0 €           | 0 €            | 0 €        | -4.957,1 €  | -4.957,1 € |
| 1   | 0 €                                     | -58,1 €          | -745,9 €       | 151,4 €       | -652,6 €       | -639,8 €   | -1.130,8 €                  | 0 €           | -1.130,8 €     | -1.108,6 € | 468,8 €     | -4.488,3 € |
| 2   | 0 €                                     | -59,3 €          | -760,8 €       | 154,4 €       | -665,7 €       | -639,8 €   | -1.153,4 €                  | 0 €           | -1.153,4 €     | -1.108,6 € | 468,8 €     | -4.019,5 € |
| 3   | 0 €                                     | -60,5 €          | -776 €         | 157,5 €       | -679 €         | -639,8 €   | -1.176,5 €                  | 0 €           | -1.176,5 €     | -1.108,6 € | 468,8 €     | -3.551 €   |
| 4   | 0 €                                     | -61,7 €          | -791,6 €       | 160,7 €       | -692,6 €       | -639,8 €   | -1.200 €                    | 0 €           | -1.200 €       | -1.108,6 € | 468,8 €     | -3.081,9 € |
| 5   | 0 €                                     | -62,9 €          | -807,4 €       | 163,9 €       | -706,4 €       | -639,8 €   | -1.224 €                    | 0 €           | -1.224 €       | -1.108,6 € | 468,8 €     | -2.613,1 € |
| 6   | 0 €                                     | -64,2 €          | -823,5 €       | 167,2 €       | -720,6 €       | -639,8 €   | -1.248,5 €                  | 0 €           | -1.248,5 €     | -1.108,6 € | 468,8 €     | -2.144,3 € |
| 7   | 0 €                                     | -65,5 €          | -840 €         | 170,5 €       | -735 €         | -639,8 €   | -1.273,5 €                  | 0 €           | -1.273,5 €     | -1.108,6 € | 468,8 €     | -1.675,5 € |
| 8   | 0 €                                     | -66,8 €          | -856,8 €       | 173,9 €       | -749,7 €       | -639,8 €   | -1.298,9 €                  | 0 €           | -1.298,9 €     | -1.108,6 € | 468,8 €     | -1.207 €   |
| 9   | 0 €                                     | -68,1 €          | -873,9 €       | 177,4 €       | -764,7 €       | -639,8 €   | -1.324,9 €                  | 0 €           | -1.324,9 €     | -1.108,6 € | 468,8 €     | -737,9 €   |
| 10  | -904,5 €                                | -69,5 €          | -891,4 €       | 180,9 €       | -1.684,5 €     | -1.381,8 € | -1.351,4 €                  | 0 €           | -1.351,4 €     | -1.108,6 € | -273,2 €    | -1.011,1 € |
| 11  | 0 €                                     | -70,9 €          | -909,3 €       | 184,6 €       | -795,6 €       | -639,8 €   | -1.378,4 €                  | 0 €           | -1.378,4 €     | -1.108,6 € | 468,8 €     | -542,3 €   |
| 12  | 0 €                                     | -72,3 €          | -927,4 €       | 188,3 €       | -811,5 €       | -639,8 €   | -1.406 €                    | 0 €           | -1.406 €       | -1.108,6 € | 468,8 €     | -73,5 €    |
| 13  | 0 €                                     | -73,7 €          | -946 €         | 192 €         | -827,7 €       | -639,8 €   | -1.434,1 €                  | 0 €           | -1.434,1 €     | -1.108,6 € | 468,8 €     | 395,3 €    |
| 14  | 0 €                                     | -75,2 €          | -964,9 €       | 195,9 €       | -844,3 €       | -639,8 €   | -1.462,8 €                  | 0 €           | -1.462,8 €     | -1.108,6 € | 468,8 €     | 864 €      |
| 15  | 0 €                                     | -76,7 €          | -984,2 €       | 199,8 €       | -861,1 €       | -639,8 €   | -1.492,1 €                  | 0 €           | -1.492,1 €     | -1.108,6 € | 468,8 €     | 1.332,9 €  |
| 16  | 0 €                                     | -78,2 €          | -1.003,9 €     | 203,8 €       | -878,4 €       | -639,8 €   | -1.521,9 €                  | 0 €           | -1.521,9 €     | -1.108,6 € | 468,8 €     | 1.801,7 €  |
| 17  | 0 €                                     | -79,8 €          | -1.024 €       | 207,8 €       | -895,9 €       | -639,8 €   | -1.552,3 €                  | 0 €           | -1.552,3 €     | -1.108,6 € | 468,8 €     | 2.270,5 €  |
| 18  | 0 €                                     | -81,4 €          | -1.044,4 €     | 212 €         | -913,9 €       | -639,8 €   | -1.583,4 €                  | 0 €           | -1.583,4 €     | -1.108,6 € | 468,8 €     | 2.739,3 €  |
| 19  | 0 €                                     | -83 €            | -1.065,3 €     | 216,2 €       | -932,1 €       | -639,8 €   | -1.615 €                    | 0 €           | -1.615 €       | -1.108,6 € | 468,8 €     | 3.208,1 €  |
| 20  | -1.102,6 €                              | -84,7 €          | -1.086,6 €     | 220,6 €       | -2.053,3 €     | -1.381,8 € | -1.647,3 €                  | 0 €           | -1.647,3 €     | -1.108,6 € | -273,2 €    | 2.934,9 €  |
| 21  | 0 €                                     | -86,4 €          | -1.108,4 €     | 225 €         | -969,8 €       | -639,8 €   | -1.680,3 €                  | 0 €           | -1.680,3 €     | -1.108,6 € | 468,8 €     | 3.403,7 €  |
| 22  | 0 €                                     | -88,1 €          | -1.130,5 €     | 229,5 €       | -989,2 €       | -639,8 €   | -1.713,9 €                  | 0 €           | -1.713,9 €     | -1.108,6 € | 468,8 €     | 3.872,5 €  |
| 23  | 0 €                                     | -89,9 €          | -1.153,2 €     | 234,1 €       | -1.009 €       | -639,8 €   | -1.748,2 €                  | 0 €           | -1.748,2 €     | -1.108,6 € | 468,8 €     | 4.341,3 €  |
| 24  | 0 €                                     | -91,7 €          | -1.176,2 €     | 238,8 €       | -1.029,1 €     | -639,8 €   | -1.783,1 €                  | 0 €           | -1.783,1 €     | -1.108,6 € | 468,8 €     | 4.810,1 €  |
| 25  | 608,7 €                                 | -93,5 €          | -1.199,7 €     | 243,5 €       | -441,1 €       | -268,8 €   | -1.818,8 €                  | 0 €           | -1.818,8 €     | -1.108,6 € | 839,8 €     | 5.649,9 €  |

VAN 22.066,2 €

PAYBACK 12 años

AHORRO 5.649,9 €

LCOE 0,19 €/kWh

### 38. Instalación sobredimensionada 6x2 Zaragoza

| AÑO | INSTALACION AUTOCONSUMO CONECTADA A RED |                  |                |               |                |            | INSTALACION SIN AUTOCONSUMO |               |                |            | COMPARATIVA |            |
|-----|-----------------------------------------|------------------|----------------|---------------|----------------|------------|-----------------------------|---------------|----------------|------------|-------------|------------|
|     | COSTES INSTALACION                      | C, MANTENIMIENTO | COMPRA ENERGIA | VENTA ENERGIA | FLUJOS DE CAJA | VAN        | COMPRA ENERGIA              | VENTA ENERGIA | FLUJOS DE CAJA | VAN        | AHORRO      | BALANCE    |
| 0   | -4.487,9 €                              | 0 €              | 0 €            | 0 €           | -5.426,3 €     | -5.426,3 € | 0 €                         | 0 €           | 0 €            | 0 €        | -5.426,3 €  | -5.426,3 € |
| 1   | 0 €                                     | -61,6 €          | -726,6 €       | 195,4 €       | -592,8 €       | -581,2 €   | -1.130,8 €                  | 0 €           | -1.130,8 €     | -1.108,6 € | 527,4 €     | -4.898,9 € |
| 2   | 0 €                                     | -62,8 €          | -741,1 €       | 199,3 €       | -604,7 €       | -581,2 €   | -1.153,4 €                  | 0 €           | -1.153,4 €     | -1.108,6 € | 527,4 €     | -4.371,5 € |
| 3   | 0 €                                     | -64,1 €          | -755,9 €       | 203,3 €       | -616,7 €       | -581,2 €   | -1.176,5 €                  | 0 €           | -1.176,5 €     | -1.108,6 € | 527,4 €     | -3.844 €   |
| 4   | 0 €                                     | -65,4 €          | -771,1 €       | 207,4 €       | -629,1 €       | -581,2 €   | -1.200 €                    | 0 €           | -1.200 €       | -1.108,6 € | 527,4 €     | -3.316,7 € |
| 5   | 0 €                                     | -66,7 €          | -786,5 €       | 211,5 €       | -641,7 €       | -581,2 €   | -1.224 €                    | 0 €           | -1.224 €       | -1.108,6 € | 527,4 €     | -2.789,3 € |
| 6   | 0 €                                     | -68 €            | -802,2 €       | 215,7 €       | -654,5 €       | -581,2 €   | -1.248,5 €                  | 0 €           | -1.248,5 €     | -1.108,6 € | 527,4 €     | -2.261,9 € |
| 7   | 0 €                                     | -69,4 €          | -818,2 €       | 220 €         | -667,6 €       | -581,2 €   | -1.273,5 €                  | 0 €           | -1.273,5 €     | -1.108,6 € | 527,4 €     | -1.734,5 € |
| 8   | 0 €                                     | -70,8 €          | -834,6 €       | 224,4 €       | -680,9 €       | -581,2 €   | -1.298,9 €                  | 0 €           | -1.298,9 €     | -1.108,6 € | 527,4 €     | -1.207 €   |
| 9   | 0 €                                     | -72,2 €          | -851,3 €       | 228,9 €       | -694,6 €       | -581,2 €   | -1.324,9 €                  | 0 €           | -1.324,9 €     | -1.108,6 € | 527,4 €     | -679,7 €   |
| 10  | -904,5 €                                | -73,6 €          | -868,3 €       | 233,5 €       | -1.612,9 €     | -1.323,2 € | -1.351,4 €                  | 0 €           | -1.351,4 €     | -1.108,6 € | -214,6 €    | -894,3 €   |
| 11  | 0 €                                     | -75,1 €          | -885,7 €       | 238,2 €       | -722,6 €       | -581,2 €   | -1.378,4 €                  | 0 €           | -1.378,4 €     | -1.108,6 € | 527,4 €     | -366,9 €   |
| 12  | 0 €                                     | -76,6 €          | -903,4 €       | 242,9 €       | -737,1 €       | -581,2 €   | -1.406 €                    | 0 €           | -1.406 €       | -1.108,6 € | 527,4 €     | 160,5 €    |
| 13  | 0 €                                     | -78,1 €          | -921,5 €       | 247,8 €       | -751,8 €       | -581,2 €   | -1.434,1 €                  | 0 €           | -1.434,1 €     | -1.108,6 € | 527,4 €     | 687,9 €    |
| 14  | 0 €                                     | -79,7 €          | -939,9 €       | 252,8 €       | -766,8 €       | -581,2 €   | -1.462,8 €                  | 0 €           | -1.462,8 €     | -1.108,6 € | 527,4 €     | 1.215 €    |
| 15  | 0 €                                     | -81,3 €          | -958,7 €       | 257,8 €       | -782,2 €       | -581,2 €   | -1.492,1 €                  | 0 €           | -1.492,1 €     | -1.108,6 € | 527,4 €     | 1.742,7 €  |
| 16  | 0 €                                     | -82,9 €          | -977,9 €       | 263 €         | -797,8 €       | -581,2 €   | -1.521,9 €                  | 0 €           | -1.521,9 €     | -1.108,6 € | 527,4 €     | 2.270,1 €  |
| 17  | 0 €                                     | -84,6 €          | -997,4 €       | 268,2 €       | -813,8 €       | -581,2 €   | -1.552,3 €                  | 0 €           | -1.552,3 €     | -1.108,6 € | 527,4 €     | 2.797,5 €  |
| 18  | 0 €                                     | -86,3 €          | -1.017,4 €     | 273,6 €       | -830,1 €       | -581,2 €   | -1.583,4 €                  | 0 €           | -1.583,4 €     | -1.108,6 € | 527,4 €     | 3.324,9 €  |
| 19  | 0 €                                     | -88 €            | -1.037,7 €     | 279,1 €       | -846,7 €       | -581,2 €   | -1.615 €                    | 0 €           | -1.615 €       | -1.108,6 € | 527,4 €     | 3.852,3 €  |
| 20  | -1.102,6 €                              | -89,8 €          | -1.058,5 €     | 284,7 €       | -1.966,2 €     | -1.323,2 € | -1.647,3 €                  | 0 €           | -1.647,3 €     | -1.108,6 € | -214,6 €    | 3.637,7 €  |
| 21  | 0 €                                     | -91,5 €          | -1.079,7 €     | 290,3 €       | -880,9 €       | -581,2 €   | -1.680,3 €                  | 0 €           | -1.680,3 €     | -1.108,6 € | 527,4 €     | 4.165,1 €  |
| 22  | 0 €                                     | -93,4 €          | -1.101,3 €     | 296,2 €       | -898,5 €       | -581,2 €   | -1.713,9 €                  | 0 €           | -1.713,9 €     | -1.108,6 € | 527,4 €     | 4.692,5 €  |
| 23  | 0 €                                     | -95,2 €          | -1.123,3 €     | 302,1 €       | -916,4 €       | -581,2 €   | -1.748,2 €                  | 0 €           | -1.748,2 €     | -1.108,6 € | 527,4 €     | 5.219,9 €  |
| 24  | 0 €                                     | -97,1 €          | -1.145,7 €     | 308,1 €       | -934,8 €       | -581,2 €   | -1.783,1 €                  | 0 €           | -1.783,1 €     | -1.108,6 € | 527,4 €     | 5.747,3 €  |
| 25  | 608,7 €                                 | -99,1 €          | -1.168,7 €     | 314,3 €       | -344,8 €       | -210,2 €   | -1.818,8 €                  | 0 €           | -1.818,8 €     | -1.108,6 € | 898,4 €     | 6.645,7 €  |

VAN 21.068,6 €

PAYBACK 11 años

AHORRO 6.645,7 €

LCOE 0,18 €/kWh

### 39. Instalación sobredimensionada 5x2 Sevilla

| AÑO | INSTALACION AUTOCONSUMO CONECTADA A RED |                  |                |               |                |            | INSTALACION SIN AUTOCONSUMO |               |                |            | COMPARATIVA |            |
|-----|-----------------------------------------|------------------|----------------|---------------|----------------|------------|-----------------------------|---------------|----------------|------------|-------------|------------|
|     | COSTES INSTALACION                      | C, MANTENIMIENTO | COMPRA ENERGIA | VENTA ENERGIA | FLUJOS DE CAJA | VAN        | COMPRA ENERGIA              | VENTA ENERGIA | FLUJOS DE CAJA | VAN        | AHORRO      | BALANCE    |
| 0   | -4.487,9 €                              | 0 €              | 0 €            | 0 €           | -4.957,1 €     | -4.957,1 € | 0 €                         | 0 €           | 0 €            | 0 €        | -4.957,1 €  | -4.957,1 € |
| 1   | 0 €                                     | -58,1 €          | -710,7 €       | 155,5 €       | -613,3 €       | -601,3 €   | -1.130,8 €                  | 0 €           | -1.130,8 €     | -1.108,6 € | 507,3 €     | -4.449,8 € |
| 2   | 0 €                                     | -59,3 €          | -724,9 €       | 158,6 €       | -625,6 €       | -601,3 €   | -1.153,4 €                  | 0 €           | -1.153,4 €     | -1.108,6 € | 507,3 €     | -3.942,5 € |
| 3   | 0 €                                     | -60,5 €          | -739,4 €       | 161,8 €       | -638,1 €       | -601,3 €   | -1.176,5 €                  | 0 €           | -1.176,5 €     | -1.108,6 € | 507,3 €     | -3.435 €   |
| 4   | 0 €                                     | -61,7 €          | -754,2 €       | 165 €         | -650,9 €       | -601,3 €   | -1.200 €                    | 0 €           | -1.200 €       | -1.108,6 € | 507,3 €     | -2.927,9 € |
| 5   | 0 €                                     | -62,9 €          | -769,3 €       | 168,3 €       | -663,9 €       | -601,3 €   | -1.224 €                    | 0 €           | -1.224 €       | -1.108,6 € | 507,3 €     | -2.420,6 € |
| 6   | 0 €                                     | -64,2 €          | -784,6 €       | 171,7 €       | -677,2 €       | -601,3 €   | -1.248,5 €                  | 0 €           | -1.248,5 €     | -1.108,6 € | 507,3 €     | -1.913,3 € |
| 7   | 0 €                                     | -65,5 €          | -800,3 €       | 175,1 €       | -690,7 €       | -601,3 €   | -1.273,5 €                  | 0 €           | -1.273,5 €     | -1.108,6 € | 507,3 €     | -1.406,0 € |
| 8   | 0 €                                     | -66,8 €          | -816,3 €       | 178,6 €       | -704,5 €       | -601,3 €   | -1.298,9 €                  | 0 €           | -1.298,9 €     | -1.108,6 € | 507,3 €     | -899 €     |
| 9   | 0 €                                     | -68,1 €          | -832,7 €       | 182,2 €       | -718,6 €       | -601,3 €   | -1.324,9 €                  | 0 €           | -1.324,9 €     | -1.108,6 € | 507,3 €     | -391,4 €   |
| 10  | -904,5 €                                | -69,5 €          | -849,3 €       | 185,8 €       | -1.637,5 €     | -1.343,3 € | -1.351,4 €                  | 0 €           | -1.351,4 €     | -1.108,6 € | -234,7 €    | -626,1 €   |
| 11  | 0 €                                     | -70,9 €          | -866,3 €       | 189,5 €       | -747,6 €       | -601,3 €   | -1.378,4 €                  | 0 €           | -1.378,4 €     | -1.108,6 € | 507,3 €     | -118,8 €   |
| 12  | 0 €                                     | -72,3 €          | -883,6 €       | 193,3 €       | -762,6 €       | -601,3 €   | -1.406 €                    | 0 €           | -1.406 €       | -1.108,6 € | 507,3 €     | 388,5 €    |
| 13  | 0 €                                     | -73,7 €          | -901,3 €       | 197,2 €       | -777,8 €       | -601,3 €   | -1.434,1 €                  | 0 €           | -1.434,1 €     | -1.108,6 € | 507,3 €     | 895,8 €    |
| 14  | 0 €                                     | -75,2 €          | -919,3 €       | 201,1 €       | -793,4 €       | -601,3 €   | -1.462,8 €                  | 0 €           | -1.462,8 €     | -1.108,6 € | 507,3 €     | 1.403 €    |
| 15  | 0 €                                     | -76,7 €          | -937,7 €       | 205,2 €       | -809,3 €       | -601,3 €   | -1.492,1 €                  | 0 €           | -1.492,1 €     | -1.108,6 € | 507,3 €     | 1.910,4 €  |
| 16  | 0 €                                     | -78,2 €          | -956,5 €       | 209,3 €       | -825,5 €       | -601,3 €   | -1.521,9 €                  | 0 €           | -1.521,9 €     | -1.108,6 € | 507,3 €     | 2.417,7 €  |
| 17  | 0 €                                     | -79,8 €          | -975,6 €       | 213,4 €       | -842 €         | -601,3 €   | -1.552,3 €                  | 0 €           | -1.552,3 €     | -1.108,6 € | 507,3 €     | 2.925,0 €  |
| 18  | 0 €                                     | -81,4 €          | -995,1 €       | 217,7 €       | -858,8 €       | -601,3 €   | -1.583,4 €                  | 0 €           | -1.583,4 €     | -1.108,6 € | 507,3 €     | 3.432,3 €  |
| 19  | 0 €                                     | -83 €            | -1.015 €       | 222,1 €       | -876 €         | -601,3 €   | -1.615 €                    | 0 €           | -1.615 €       | -1.108,6 € | 507,3 €     | 3.939,6 €  |
| 20  | -1.102,6 €                              | -84,7 €          | -1.035,3 €     | 226,5 €       | -1.996,1 €     | -1.343,3 € | -1.647,3 €                  | 0 €           | -1.647,3 €     | -1.108,6 € | -234,7 €    | 3.704,9 €  |
| 21  | 0 €                                     | -86,4 €          | -1.056 €       | 231 €         | -911,4 €       | -601,3 €   | -1.680,3 €                  | 0 €           | -1.680,3 €     | -1.108,6 € | 507,3 €     | 4.212,2 €  |
| 22  | 0 €                                     | -88,1 €          | -1.077,1 €     | 235,7 €       | -929,6 €       | -601,3 €   | -1.713,9 €                  | 0 €           | -1.713,9 €     | -1.108,6 € | 507,3 €     | 4.719,5 €  |
| 23  | 0 €                                     | -89,9 €          | -1.098,7 €     | 240,4 €       | -948,2 €       | -601,3 €   | -1.748,2 €                  | 0 €           | -1.748,2 €     | -1.108,6 € | 507,3 €     | 5.226,8 €  |
| 24  | 0 €                                     | -91,7 €          | -1.120,7 €     | 245,2 €       | -967,2 €       | -601,3 €   | -1.783,1 €                  | 0 €           | -1.783,1 €     | -1.108,6 € | 507,3 €     | 5.734,1 €  |
| 25  | 608,7 €                                 | -93,5 €          | -1.143,1 €     | 250,1 €       | -377,8 €       | -230,3 €   | -1.818,8 €                  | 0 €           | -1.818,8 €     | -1.108,6 € | 878,3 €     | 6.612,4 €  |

VAN 21.102,6 €

PAYBACK 12 años

AHORRO 6.612,4 €

LCOE 0,18 €/kWh

**40. Instalación sobredimensionada 6x2 Sevilla**

| AÑO | INSTALACION AUTOCONSUMO CONECTADA A RED |                  |                |               |                |            | INSTALACION SIN AUTOCONSUMO |               |                |            | COMPARATIVA |            |
|-----|-----------------------------------------|------------------|----------------|---------------|----------------|------------|-----------------------------|---------------|----------------|------------|-------------|------------|
|     | COSTES INSTALACION                      | C, MANTENIMIENTO | COMPRA ENERGIA | VENTA ENERGIA | FLUJOS DE CAJA | VAN        | COMPRA ENERGIA              | VENTA ENERGIA | FLUJOS DE CAJA | VAN        | AHORRO      | BALANCE    |
| 0   | -4.487,9 €                              | 0 €              | 0 €            | 0 €           | -5.426,3 €     | -5.426,3 € | 0 €                         | 0 €           | 0 €            | 0 €        | -5.426,3 €  | -5.426,3 € |
| 1   | 0 €                                     | -61,6 €          | -690,4 €       | 199,9 €       | -552,1 €       | -541,3 €   | -1.130,8 €                  | 0 €           | -1.130,8 €     | -1.108,6 € | 567,3 €     | -4.859,0 € |
| 2   | 0 €                                     | -62,8 €          | -704,2 €       | 203,9 €       | -563,2 €       | -541,3 €   | -1.153,4 €                  | 0 €           | -1.153,4 €     | -1.108,6 € | 567,3 €     | -4.291,7 € |
| 3   | 0 €                                     | -64,1 €          | -718,3 €       | 207,9 €       | -574,4 €       | -541,3 €   | -1.176,5 €                  | 0 €           | -1.176,5 €     | -1.108,6 € | 567,3 €     | -3.724 €   |
| 4   | 0 €                                     | -65,4 €          | -732,6 €       | 212,1 €       | -585,9 €       | -541,3 €   | -1.200 €                    | 0 €           | -1.200 €       | -1.108,6 € | 567,3 €     | -3.157,1 € |
| 5   | 0 €                                     | -66,7 €          | -747,3 €       | 216,3 €       | -597,6 €       | -541,3 €   | -1.224 €                    | 0 €           | -1.224 €       | -1.108,6 € | 567,3 €     | -2.589,8 € |
| 6   | 0 €                                     | -68 €            | -762,2 €       | 220,7 €       | -609,6 €       | -541,3 €   | -1.248,5 €                  | 0 €           | -1.248,5 €     | -1.108,6 € | 567,3 €     | -2.022,5 € |
| 7   | 0 €                                     | -69,4 €          | -777,5 €       | 225,1 €       | -621,8 €       | -541,3 €   | -1.273,5 €                  | 0 €           | -1.273,5 €     | -1.108,6 € | 567,3 €     | -1.455,2 € |
| 8   | 0 €                                     | -70,8 €          | -793 €         | 229,6 €       | -634,2 €       | -541,3 €   | -1.298,9 €                  | 0 €           | -1.298,9 €     | -1.108,6 € | 567,3 €     | -888 €     |
| 9   | 0 €                                     | -72,2 €          | -808,9 €       | 234,2 €       | -646,9 €       | -541,3 €   | -1.324,9 €                  | 0 €           | -1.324,9 €     | -1.108,6 € | 567,3 €     | -320,6 €   |
| 10  | -904,5 €                                | -73,6 €          | -825,1 €       | 238,8 €       | -1.564,3 €     | -1.283,3 € | -1.351,4 €                  | 0 €           | -1.351,4 €     | -1.108,6 € | -174,7 €    | -495,3 €   |
| 11  | 0 €                                     | -75,1 €          | -841,6 €       | 243,6 €       | -673 €         | -541,3 €   | -1.378,4 €                  | 0 €           | -1.378,4 €     | -1.108,6 € | 567,3 €     | 72,0 €     |
| 12  | 0 €                                     | -76,6 €          | -858,4 €       | 248,5 €       | -686,5 €       | -541,3 €   | -1.406 €                    | 0 €           | -1.406 €       | -1.108,6 € | 567,3 €     | 639,3 €    |
| 13  | 0 €                                     | -78,1 €          | -875,6 €       | 253,5 €       | -700,2 €       | -541,3 €   | -1.434,1 €                  | 0 €           | -1.434,1 €     | -1.108,6 € | 567,3 €     | 1.206,6 €  |
| 14  | 0 €                                     | -79,7 €          | -893,1 €       | 258,5 €       | -714,2 €       | -541,3 €   | -1.462,8 €                  | 0 €           | -1.462,8 €     | -1.108,6 € | 567,3 €     | 1.774 €    |
| 15  | 0 €                                     | -81,3 €          | -910,9 €       | 263,7 €       | -728,5 €       | -541,3 €   | -1.492,1 €                  | 0 €           | -1.492,1 €     | -1.108,6 € | 567,3 €     | 2.341,2 €  |
| 16  | 0 €                                     | -82,9 €          | -929,2 €       | 269 €         | -743,1 €       | -541,3 €   | -1.521,9 €                  | 0 €           | -1.521,9 €     | -1.108,6 € | 567,3 €     | 2.908,5 €  |
| 17  | 0 €                                     | -84,6 €          | -947,7 €       | 274,4 €       | -758 €         | -541,3 €   | -1.552,3 €                  | 0 €           | -1.552,3 €     | -1.108,6 € | 567,3 €     | 3.475,8 €  |
| 18  | 0 €                                     | -86,3 €          | -966,7 €       | 279,8 €       | -773,1 €       | -541,3 €   | -1.583,4 €                  | 0 €           | -1.583,4 €     | -1.108,6 € | 567,3 €     | 4.043,1 €  |
| 19  | 0 €                                     | -88 €            | -986 €         | 285,4 €       | -788,6 €       | -541,3 €   | -1.615 €                    | 0 €           | -1.615 €       | -1.108,6 € | 567,3 €     | 4.610,4 €  |
| 20  | -1.102,6 €                              | -89,8 €          | -1.005,8 €     | 291,2 €       | -1.906,9 €     | -1.283,3 € | -1.647,3 €                  | 0 €           | -1.647,3 €     | -1.108,6 € | -174,7 €    | 4.435,7 €  |
| 21  | 0 €                                     | -91,5 €          | -1.025,9 €     | 297 €         | -820,4 €       | -541,3 €   | -1.680,3 €                  | 0 €           | -1.680,3 €     | -1.108,6 € | 567,3 €     | 5.003,0 €  |
| 22  | 0 €                                     | -93,4 €          | -1.046,4 €     | 302,9 €       | -836,9 €       | -541,3 €   | -1.713,9 €                  | 0 €           | -1.713,9 €     | -1.108,6 € | 567,3 €     | 5.570,3 €  |
| 23  | 0 €                                     | -95,2 €          | -1.067,3 €     | 309 €         | -853,6 €       | -541,3 €   | -1.748,2 €                  | 0 €           | -1.748,2 €     | -1.108,6 € | 567,3 €     | 6.137,6 €  |
| 24  | 0 €                                     | -97,1 €          | -1.088,7 €     | 315,2 €       | -870,7 €       | -541,3 €   | -1.783,1 €                  | 0 €           | -1.783,1 €     | -1.108,6 € | 567,3 €     | 6.704,9 €  |
| 25  | 608,7 €                                 | -99,1 €          | -1.110,4 €     | 321,5 €       | -279,4 €       | -170,3 €   | -1.818,8 €                  | 0 €           | -1.818,8 €     | -1.108,6 € | 938,3 €     | 7.643,2 €  |

VAN 20.072 €

PAYBACK 10 años

AHORRO 7.643,2 €

LCOE 0,17 €/kWh

### 41. Instalación Año irradiación 2009 Zaragoza

| AÑO | INSTALACION AUTOCONSUMO CONECTADA A RED |                  |                |               |                |            | INSTALACION SIN AUTOCONSUMO |               |                |            | COMPARATIVA |            |
|-----|-----------------------------------------|------------------|----------------|---------------|----------------|------------|-----------------------------|---------------|----------------|------------|-------------|------------|
|     | COSTES INSTALACION                      | C, MANTENIMIENTO | COMPRA ENERGIA | VENTA ENERGIA | FLUJOS DE CAJA | VAN        | COMPRA ENERGIA              | VENTA ENERGIA | FLUJOS DE CAJA | VAN        | AHORRO      | BALANCE    |
| 0   | -4.487,9 €                              | 0 €              | 0 €            | 0 €           | -4.487,9 €     | -4.487,9 € | 0 €                         | 0 €           | 0 €            | 0 €        | -4.487,9 €  | -4.487,9 € |
| 1   | 0 €                                     | -54,7 €          | -769,5 €       | 106,6 €       | -717,6 €       | -703,5 €   | -1.130,8 €                  | 0 €           | -1.130,8 €     | -1.108,6 € | 405,1 €     | -4.082,8 € |
| 2   | 0 €                                     | -55,8 €          | -784,9 €       | 108,7 €       | -731,9 €       | -703,5 €   | -1.153,4 €                  | 0 €           | -1.153,4 €     | -1.108,6 € | 405,1 €     | -3.677,7 € |
| 3   | 0 €                                     | -56,9 €          | -800,6 €       | 110,9 €       | -746,6 €       | -703,5 €   | -1.176,5 €                  | 0 €           | -1.176,5 €     | -1.108,6 € | 405,1 €     | -3.273 €   |
| 4   | 0 €                                     | -58,0 €          | -816,6 €       | 113,1 €       | -761,5 €       | -703,5 €   | -1.200 €                    | 0 €           | -1.200 €       | -1.108,6 € | 405,1 €     | -2.867,5 € |
| 5   | 0 €                                     | -59,2 €          | -832,9 €       | 115,4 €       | -776,7 €       | -703,5 €   | -1.224 €                    | 0 €           | -1.224 €       | -1.108,6 € | 405,1 €     | -2.462,4 € |
| 6   | 0 €                                     | -60,4 €          | -849,6 €       | 117,7 €       | -792,2 €       | -703,5 €   | -1.248,5 €                  | 0 €           | -1.248,5 €     | -1.108,6 € | 405,1 €     | -2.057,3 € |
| 7   | 0 €                                     | -61,6 €          | -866,6 €       | 120 €         | -808,1 €       | -703,5 €   | -1.273,5 €                  | 0 €           | -1.273,5 €     | -1.108,6 € | 405,1 €     | -1.652,2 € |
| 8   | 0 €                                     | -62,8 €          | -883,9 €       | 122,4 €       | -824,3 €       | -703,5 €   | -1.298,9 €                  | 0 €           | -1.298,9 €     | -1.108,6 € | 405,1 €     | -1.247 €   |
| 9   | 0 €                                     | -64,1 €          | -901,6 €       | 124,9 €       | -840,7 €       | -703,5 €   | -1.324,9 €                  | 0 €           | -1.324,9 €     | -1.108,6 € | 405,1 €     | -842,0 €   |
| 10  | -904,5 €                                | -65,3 €          | -919,6 €       | 127,4 €       | -1.762 €       | -1.445,5 € | -1.351,4 €                  | 0 €           | -1.351,4 €     | -1.108,6 € | -336,9 €    | -1.178,9 € |
| 11  | 0 €                                     | -66,6 €          | -938 €         | 129,9 €       | -874,7 €       | -703,5 €   | -1.378,4 €                  | 0 €           | -1.378,4 €     | -1.108,6 € | 405,1 €     | -773,8 €   |
| 12  | 0 €                                     | -68,0 €          | -956,8 €       | 132,5 €       | -892,2 €       | -703,5 €   | -1.406 €                    | 0 €           | -1.406 €       | -1.108,6 € | 405,1 €     | -368,7 €   |
| 13  | 0 €                                     | -69,3 €          | -975,9 €       | 135,2 €       | -910 €         | -703,5 €   | -1.434,1 €                  | 0 €           | -1.434,1 €     | -1.108,6 € | 405,1 €     | 36,4 €     |
| 14  | 0 €                                     | -70,7 €          | -995,4 €       | 137,9 €       | -928,2 €       | -703,5 €   | -1.462,8 €                  | 0 €           | -1.462,8 €     | -1.108,6 € | 405,1 €     | 441 €      |
| 15  | 0 €                                     | -72,1 €          | -1.015,3 €     | 140,6 €       | -946,8 €       | -703,5 €   | -1.492,1 €                  | 0 €           | -1.492,1 €     | -1.108,6 € | 405,1 €     | 846,6 €    |
| 16  | 0 €                                     | -73,6 €          | -1.035,6 €     | 143,5 €       | -965,7 €       | -703,5 €   | -1.521,9 €                  | 0 €           | -1.521,9 €     | -1.108,6 € | 405,1 €     | 1.251,7 €  |
| 17  | 0 €                                     | -75,1 €          | -1.056,3 €     | 146,3 €       | -985,1 €       | -703,5 €   | -1.552,3 €                  | 0 €           | -1.552,3 €     | -1.108,6 € | 405,1 €     | 1.656,8 €  |
| 18  | 0 €                                     | -76,6 €          | -1.077,5 €     | 149,3 €       | -1.004,8 €     | -703,5 €   | -1.583,4 €                  | 0 €           | -1.583,4 €     | -1.108,6 € | 405,1 €     | 2.061,9 €  |
| 19  | 0 €                                     | -78,1 €          | -1.099 €       | 152,2 €       | -1.024,9 €     | -703,5 €   | -1.615 €                    | 0 €           | -1.615 €       | -1.108,6 € | 405,1 €     | 2.467,0 €  |
| 20  | -1.102,6 €                              | -79,6 €          | -1.121 €       | 155,3 €       | -2.147,9 €     | -1.445,5 € | -1.647,3 €                  | 0 €           | -1.647,3 €     | -1.108,6 € | -336,9 €    | 2.130,1 €  |
| 21  | 0 €                                     | -81,2 €          | -1.143,4 €     | 158,4 €       | -1.066,3 €     | -703,5 €   | -1.680,3 €                  | 0 €           | -1.680,3 €     | -1.108,6 € | 405,1 €     | 2.535,2 €  |
| 22  | 0 €                                     | -82,9 €          | -1.166,3 €     | 161,6 €       | -1.087,6 €     | -703,5 €   | -1.713,9 €                  | 0 €           | -1.713,9 €     | -1.108,6 € | 405,1 €     | 2.940,3 €  |
| 23  | 0 €                                     | -84,5 €          | -1.189,6 €     | 164,8 €       | -1.109,3 €     | -703,5 €   | -1.748,2 €                  | 0 €           | -1.748,2 €     | -1.108,6 € | 405,1 €     | 3.345,4 €  |
| 24  | 0 €                                     | -86,2 €          | -1.213,4 €     | 168,1 €       | -1.131,5 €     | -703,5 €   | -1.783,1 €                  | 0 €           | -1.783,1 €     | -1.108,6 € | 405,1 €     | 3.750,5 €  |
| 25  | 608,7 €                                 | -87,9 €          | -1.237,7 €     | 171,4 €       | -545,5 €       | -332,5 €   | -1.818,8 €                  | 0 €           | -1.818,8 €     | -1.108,6 € | 776,1 €     | 4.526,6 €  |

VAN 23.188,2 €

PAYBACK 12 años

AHORRO 4.526,6 €

LCOE 0,2 €/kWh

### 42. Instalación Año irradiación 2012 Zaragoza

| AÑO | INSTALACION AUTOCONSUMO CONECTADA A RED |                  |                |               |                |            | INSTALACION SIN AUTOCONSUMO |               |                |            | COMPARATIVA |            |
|-----|-----------------------------------------|------------------|----------------|---------------|----------------|------------|-----------------------------|---------------|----------------|------------|-------------|------------|
|     | COSTES INSTALACION                      | C, MANTENIMIENTO | COMPRA ENERGIA | VENTA ENERGIA | FLUJOS DE CAJA | VAN        | COMPRA ENERGIA              | VENTA ENERGIA | FLUJOS DE CAJA | VAN        | AHORRO      | BALANCE    |
| 0   | -4.487,9 €                              | 0 €              | 0 €            | 0 €           | -4.487,9 €     | -4.487,9 € | 0 €                         | 0 €           | 0 €            | 0 €        | -4.487,9 €  | -4.487,9 € |
| 1   | 0 €                                     | -54,7 €          | -762,3 €       | 107,7 €       | -709,2 €       | -695,3 €   | -1.130,8 €                  | 0 €           | -1.130,8 €     | -1.108,6 € | 413,3 €     | -4.074,6 € |
| 2   | 0 €                                     | -55,8 €          | -777,5 €       | 109,9 €       | -723,4 €       | -695,3 €   | -1.153,4 €                  | 0 €           | -1.153,4 €     | -1.108,6 € | 413,3 €     | -3.661,3 € |
| 3   | 0 €                                     | -56,9 €          | -793,1 €       | 112,1 €       | -737,9 €       | -695,3 €   | -1.176,5 €                  | 0 €           | -1.176,5 €     | -1.108,6 € | 413,3 €     | -3.248 €   |
| 4   | 0 €                                     | -58,0 €          | -808,9 €       | 114,3 €       | -752,6 €       | -695,3 €   | -1.200 €                    | 0 €           | -1.200 €       | -1.108,6 € | 413,3 €     | -2.834,7 € |
| 5   | 0 €                                     | -59,2 €          | -825,1 €       | 116,6 €       | -767,7 €       | -695,3 €   | -1.224 €                    | 0 €           | -1.224 €       | -1.108,6 € | 413,3 €     | -2.421,4 € |
| 6   | 0 €                                     | -60,4 €          | -841,6 €       | 118,9 €       | -783 €         | -695,3 €   | -1.248,5 €                  | 0 €           | -1.248,5 €     | -1.108,6 € | 413,3 €     | -2.008,1 € |
| 7   | 0 €                                     | -61,6 €          | -858,4 €       | 121,3 €       | -798,7 €       | -695,3 €   | -1.273,5 €                  | 0 €           | -1.273,5 €     | -1.108,6 € | 413,3 €     | -1.594,8 € |
| 8   | 0 €                                     | -62,8 €          | -875,6 €       | 123,7 €       | -814,7 €       | -695,3 €   | -1.298,9 €                  | 0 €           | -1.298,9 €     | -1.108,6 € | 413,3 €     | -1.182 €   |
| 9   | 0 €                                     | -64,1 €          | -893,1 €       | 126,2 €       | -831 €         | -695,3 €   | -1.324,9 €                  | 0 €           | -1.324,9 €     | -1.108,6 € | 413,3 €     | -768,2 €   |
| 10  | -904,5 €                                | -65,3 €          | -911 €         | 128,7 €       | -1.752,1 €     | -1.437,3 € | -1.351,4 €                  | 0 €           | -1.351,4 €     | -1.108,6 € | -328,7 €    | -1.096,9 € |
| 11  | 0 €                                     | -66,6 €          | -929,2 €       | 131,3 €       | -864,5 €       | -695,3 €   | -1.378,4 €                  | 0 €           | -1.378,4 €     | -1.108,6 € | 413,3 €     | -683,6 €   |
| 12  | 0 €                                     | -68,0 €          | -947,8 €       | 133,9 €       | -881,8 €       | -695,3 €   | -1.406 €                    | 0 €           | -1.406 €       | -1.108,6 € | 413,3 €     | -270,3 €   |
| 13  | 0 €                                     | -69,3 €          | -966,7 €       | 136,6 €       | -899,4 €       | -695,3 €   | -1.434,1 €                  | 0 €           | -1.434,1 €     | -1.108,6 € | 413,3 €     | 143,0 €    |
| 14  | 0 €                                     | -70,7 €          | -986,1 €       | 139,4 €       | -917,4 €       | -695,3 €   | -1.462,8 €                  | 0 €           | -1.462,8 €     | -1.108,6 € | 413,3 €     | 556 €      |
| 15  | 0 €                                     | -72,1 €          | -1.005,8 €     | 142,1 €       | -935,8 €       | -695,3 €   | -1.492,1 €                  | 0 €           | -1.492,1 €     | -1.108,6 € | 413,3 €     | 969,6 €    |
| 16  | 0 €                                     | -73,6 €          | -1.025,9 €     | 145 €         | -954,5 €       | -695,3 €   | -1.521,9 €                  | 0 €           | -1.521,9 €     | -1.108,6 € | 413,3 €     | 1.382,9 €  |
| 17  | 0 €                                     | -75,1 €          | -1.046,4 €     | 147,9 €       | -973,6 €       | -695,3 €   | -1.552,3 €                  | 0 €           | -1.552,3 €     | -1.108,6 € | 413,3 €     | 1.796,2 €  |
| 18  | 0 €                                     | -76,6 €          | -1.067,4 €     | 150,8 €       | -993,1 €       | -695,3 €   | -1.583,4 €                  | 0 €           | -1.583,4 €     | -1.108,6 € | 413,3 €     | 2.209,5 €  |
| 19  | 0 €                                     | -78,1 €          | -1.088,7 €     | 153,9 €       | -1.012,9 €     | -695,3 €   | -1.615 €                    | 0 €           | -1.615 €       | -1.108,6 € | 413,3 €     | 2.622,8 €  |
| 20  | -1.102,6 €                              | -79,6 €          | -1.110,5 €     | 156,9 €       | -2.135,8 €     | -1.437,3 € | -1.647,3 €                  | 0 €           | -1.647,3 €     | -1.108,6 € | -328,7 €    | 2.294,1 €  |
| 21  | 0 €                                     | -81,2 €          | -1.132,7 €     | 160,1 €       | -1.053,8 €     | -695,3 €   | -1.680,3 €                  | 0 €           | -1.680,3 €     | -1.108,6 € | 413,3 €     | 2.707,4 €  |
| 22  | 0 €                                     | -82,9 €          | -1.155,3 €     | 163,3 €       | -1.074,9 €     | -695,3 €   | -1.713,9 €                  | 0 €           | -1.713,9 €     | -1.108,6 € | 413,3 €     | 3.120,7 €  |
| 23  | 0 €                                     | -84,5 €          | -1.178,4 €     | 166,5 €       | -1.096,4 €     | -695,3 €   | -1.748,2 €                  | 0 €           | -1.748,2 €     | -1.108,6 € | 413,3 €     | 3.534,0 €  |
| 24  | 0 €                                     | -86,2 €          | -1.202 €       | 169,9 €       | -1.118,4 €     | -695,3 €   | -1.783,1 €                  | 0 €           | -1.783,1 €     | -1.108,6 € | 413,3 €     | 3.947,3 €  |
| 25  | 608,7 €                                 | -87,9 €          | -1.226,1 €     | 173,3 €       | -532,1 €       | -324,3 €   | -1.818,8 €                  | 0 €           | -1.818,8 €     | -1.108,6 € | 784,3 €     | 4.731,6 €  |

VAN 22.938,4 €

PAYBACK 12 años

AHORRO 4.731,6 €

LCOE 0,19 €/kWh

### 43. Instalación Año irradiación 2009 Sevilla

| AÑO | INSTALACION AUTOCONSUMO CONECTADA A RED |                  |                |               |                |            | INSTALACION SIN AUTOCONSUMO |               |                |            | COMPARATIVA |            |
|-----|-----------------------------------------|------------------|----------------|---------------|----------------|------------|-----------------------------|---------------|----------------|------------|-------------|------------|
|     | COSTES INSTALACION                      | C, MANTENIMIENTO | COMPRA ENERGIA | VENTA ENERGIA | FLUJOS DE CAJA | VAN        | COMPRA ENERGIA              | VENTA ENERGIA | FLUJOS DE CAJA | VAN        | AHORRO      | BALANCE    |
| 0   | -4.487,9 €                              | 0 €              | 0 €            | 0 €           | -4.487,9 €     | -4.487,9 € | 0 €                         | 0 €           | 0 €            | 0 €        | -4.487,9 €  | -4.487,9 € |
| 1   | 0 €                                     | -54,7 €          | -747,4 €       | 106,9 €       | -695,2 €       | -681,5 €   | -1.130,8 €                  | 0 €           | -1.130,8 €     | -1.108,6 € | 427,1 €     | -4.060,8 € |
| 2   | 0 €                                     | -55,8 €          | -762,3 €       | 109 €         | -709,1 €       | -681,5 €   | -1.153,4 €                  | 0 €           | -1.153,4 €     | -1.108,6 € | 427,1 €     | -3.633,7 € |
| 3   | 0 €                                     | -56,9 €          | -777,6 €       | 111,2 €       | -723,3 €       | -681,5 €   | -1.176,5 €                  | 0 €           | -1.176,5 €     | -1.108,6 € | 427,1 €     | -3.207 €   |
| 4   | 0 €                                     | -58,0 €          | -793,1 €       | 113,4 €       | -737,7 €       | -681,5 €   | -1.200 €                    | 0 €           | -1.200 €       | -1.108,6 € | 427,1 €     | -2.779,5 € |
| 5   | 0 €                                     | -59 €            | -809 €         | 115,7 €       | -752,5 €       | -681,5 €   | -1.224 €                    | 0 €           | -1.224 €       | -1.108,6 € | 427,1 €     | -2.352,4 € |
| 6   | 0 €                                     | -60,4 €          | -825,2 €       | 118 €         | -767,5 €       | -681,5 €   | -1.248,5 €                  | 0 €           | -1.248,5 €     | -1.108,6 € | 427,1 €     | -1.925,3 € |
| 7   | 0 €                                     | -61,6 €          | -841,7 €       | 120,4 €       | -782,9 €       | -681,5 €   | -1.273,5 €                  | 0 €           | -1.273,5 €     | -1.108,6 € | 427,1 €     | -1.498,2 € |
| 8   | 0 €                                     | -62,8 €          | -858,5 €       | 122,8 €       | -798,5 €       | -681,5 €   | -1.298,9 €                  | 0 €           | -1.298,9 €     | -1.108,6 € | 427,1 €     | -1.071 €   |
| 9   | 0 €                                     | -64,1 €          | -875,7 €       | 125,2 €       | -814,5 €       | -681,5 €   | -1.324,9 €                  | 0 €           | -1.324,9 €     | -1.108,6 € | 427,1 €     | -644,0 €   |
| 10  | -904,5 €                                | -65,3 €          | -893,2 €       | 127,7 €       | -1.735,3 €     | -1.423,5 € | -1.351,4 €                  | 0 €           | -1.351,4 €     | -1.108,6 € | -314,9 €    | -958,9 €   |
| 11  | 0 €                                     | -66,6 €          | -911 €         | 130,3 €       | -847,4 €       | -681,5 €   | -1.378,4 €                  | 0 €           | -1.378,4 €     | -1.108,6 € | 427,1 €     | -531,8 €   |
| 12  | 0 €                                     | -68 €            | -929,3 €       | 132,9 €       | -864,4 €       | -681,5 €   | -1.406 €                    | 0 €           | -1.406 €       | -1.108,6 € | 427,1 €     | -104,7 €   |
| 13  | 0 €                                     | -69,3 €          | -947,9 €       | 135,5 €       | -881,6 €       | -681,5 €   | -1.434,1 €                  | 0 €           | -1.434,1 €     | -1.108,6 € | 427,1 €     | 322,4 €    |
| 14  | 0 €                                     | -70,7 €          | -966,8 €       | 138,3 €       | -899,3 €       | -681,5 €   | -1.462,8 €                  | 0 €           | -1.462,8 €     | -1.108,6 € | 427,1 €     | 749 €      |
| 15  | 0 €                                     | -72,1 €          | -986,1 €       | 141 €         | -917,3 €       | -681,5 €   | -1.492,1 €                  | 0 €           | -1.492,1 €     | -1.108,6 € | 427,1 €     | 1.176,6 €  |
| 16  | 0 €                                     | -73,6 €          | -1.005,9 €     | 143,8 €       | -935,6 €       | -681,5 €   | -1.521,9 €                  | 0 €           | -1.521,9 €     | -1.108,6 € | 427,1 €     | 1.603,7 €  |
| 17  | 0 €                                     | -75,1 €          | -1.026 €       | 146,7 €       | -954,3 €       | -681,5 €   | -1.552,3 €                  | 0 €           | -1.552,3 €     | -1.108,6 € | 427,1 €     | 2.030,8 €  |
| 18  | 0 €                                     | -76,6 €          | -1.046,5 €     | 149,7 €       | -973,4 €       | -681,5 €   | -1.583,4 €                  | 0 €           | -1.583,4 €     | -1.108,6 € | 427,1 €     | 2.457,9 €  |
| 19  | 0 €                                     | -78,1 €          | -1.067,4 €     | 152,6 €       | -992,9 €       | -681,5 €   | -1.615 €                    | 0 €           | -1.615 €       | -1.108,6 € | 427,1 €     | 2.885,0 €  |
| 20  | -1.102,6 €                              | -79,6 €          | -1.088,8 €     | 155,7 €       | -2.115,3 €     | -1.423,5 € | -1.647,3 €                  | 0 €           | -1.647,3 €     | -1.108,6 € | -314,9 €    | 2.570,1 €  |
| 21  | 0 €                                     | -81,2 €          | -1.110,6 €     | 158,8 €       | -1.033 €       | -681,5 €   | -1.680,3 €                  | 0 €           | -1.680,3 €     | -1.108,6 € | 427,1 €     | 2.997,2 €  |
| 22  | 0 €                                     | -82,9 €          | -1.132,8 €     | 162 €         | -1.053,6 €     | -681,5 €   | -1.713,9 €                  | 0 €           | -1.713,9 €     | -1.108,6 € | 427,1 €     | 3.424,3 €  |
| 23  | 0 €                                     | -84,5 €          | -1.155,4 €     | 165,2 €       | -1.074,7 €     | -681,5 €   | -1.748,2 €                  | 0 €           | -1.748,2 €     | -1.108,6 € | 427,1 €     | 3.851,4 €  |
| 24  | 0 €                                     | -86,2 €          | -1.178,5 €     | 168,5 €       | -1.096,2 €     | -681,5 €   | -1.783,1 €                  | 0 €           | -1.783,1 €     | -1.108,6 € | 427,1 €     | 4.278,5 €  |
| 25  | 608,7 €                                 | -87,9 €          | -1.202,1 €     | 171,9 €       | -509,5 €       | -310,5 €   | -1.818,8 €                  | 0 €           | -1.818,8 €     | -1.108,6 € | 798,1 €     | 5.076,6 €  |

VAN 22.639,3 €

PAYBACK 12 años

AHORRO 5.076,6 €

LCOE 0,19 €/kWh

**44. Instalación Año irradiación 2012 Sevilla**

| AÑO | INSTALACION AUTOCONSUMO CONECTADA A RED |                  |                |               |                |            | INSTALACION SIN AUTOCONSUMO |               |                |            | COMPARATIVA |            |
|-----|-----------------------------------------|------------------|----------------|---------------|----------------|------------|-----------------------------|---------------|----------------|------------|-------------|------------|
|     | COSTES INSTALACION                      | C, MANTENIMIENTO | COMPRA ENERGIA | VENTA ENERGIA | FLUJOS DE CAJA | VAN        | COMPRA ENERGIA              | VENTA ENERGIA | FLUJOS DE CAJA | VAN        | AHORRO      | BALANCE    |
| 0   | -4.487,9 €                              | 0 €              | 0 €            | 0 €           | -4.487,9 €     | -4.487,9 € | 0 €                         | 0 €           | 0 €            | 0 €        | -4.487,9 €  | -4.487,9 € |
| 1   | 0 €                                     | -54,7 €          | -735,4 €       | 106,8 €       | -683,2 €       | -669,8 €   | -1.130,8 €                  | 0 €           | -1.130,8 €     | -1.108,6 € | 438,8 €     | -4.049,1 € |
| 2   | 0 €                                     | -55,8 €          | -750,1 €       | 109 €         | -696,9 €       | -669,8 €   | -1.153,4 €                  | 0 €           | -1.153,4 €     | -1.108,6 € | 438,8 €     | -3.610,3 € |
| 3   | 0 €                                     | -56,9 €          | -765,1 €       | 111,2 €       | -710,8 €       | -669,8 €   | -1.176,5 €                  | 0 €           | -1.176,5 €     | -1.108,6 € | 438,8 €     | -3.172 €   |
| 4   | 0 €                                     | -58,0 €          | -780,4 €       | 113,4 €       | -725 €         | -669,8 €   | -1.200 €                    | 0 €           | -1.200 €       | -1.108,6 € | 438,8 €     | -2.732,7 € |
| 5   | 0 €                                     | -59 €            | -796 €         | 115,6 €       | -739,5 €       | -669,8 €   | -1.224 €                    | 0 €           | -1.224 €       | -1.108,6 € | 438,8 €     | -2.293,9 € |
| 6   | 0 €                                     | -60,4 €          | -811,9 €       | 118 €         | -754,3 €       | -669,8 €   | -1.248,5 €                  | 0 €           | -1.248,5 €     | -1.108,6 € | 438,8 €     | -1.855,1 € |
| 7   | 0 €                                     | -61,6 €          | -828,2 €       | 120,3 €       | -769,4 €       | -669,8 €   | -1.273,5 €                  | 0 €           | -1.273,5 €     | -1.108,6 € | 438,8 €     | -1.416,3 € |
| 8   | 0 €                                     | -62,8 €          | -844,7 €       | 122,7 €       | -784,8 €       | -669,8 €   | -1.298,9 €                  | 0 €           | -1.298,9 €     | -1.108,6 € | 438,8 €     | -977 €     |
| 9   | 0 €                                     | -64,1 €          | -861,6 €       | 125,2 €       | -800,5 €       | -669,8 €   | -1.324,9 €                  | 0 €           | -1.324,9 €     | -1.108,6 € | 438,8 €     | -538,7 €   |
| 10  | -904,5 €                                | -65,3 €          | -878,9 €       | 127,7 €       | -1.721 €       | -1.411,8 € | -1.351,4 €                  | 0 €           | -1.351,4 €     | -1.108,6 € | -303,2 €    | -841,9 €   |
| 11  | 0 €                                     | -66,6 €          | -896,4 €       | 130,2 €       | -832,9 €       | -669,8 €   | -1.378,4 €                  | 0 €           | -1.378,4 €     | -1.108,6 € | 438,8 €     | -403,1 €   |
| 12  | 0 €                                     | -68 €            | -914,4 €       | 132,8 €       | -849,5 €       | -669,8 €   | -1.406 €                    | 0 €           | -1.406 €       | -1.108,6 € | 438,8 €     | 35,7 €     |
| 13  | 0 €                                     | -69,3 €          | -932,7 €       | 135,5 €       | -866,5 €       | -669,8 €   | -1.434,1 €                  | 0 €           | -1.434,1 €     | -1.108,6 € | 438,8 €     | 474,5 €    |
| 14  | 0 €                                     | -70,7 €          | -951,3 €       | 138,2 €       | -883,8 €       | -669,8 €   | -1.462,8 €                  | 0 €           | -1.462,8 €     | -1.108,6 € | 438,8 €     | 913 €      |
| 15  | 0 €                                     | -72,1 €          | -970,3 €       | 141 €         | -901,5 €       | -669,8 €   | -1.492,1 €                  | 0 €           | -1.492,1 €     | -1.108,6 € | 438,8 €     | 1.352,1 €  |
| 16  | 0 €                                     | -73,6 €          | -989,7 €       | 143,8 €       | -919,5 €       | -669,8 €   | -1.521,9 €                  | 0 €           | -1.521,9 €     | -1.108,6 € | 438,8 €     | 1.790,9 €  |
| 17  | 0 €                                     | -75,1 €          | -1.009,5 €     | 146,7 €       | -937,9 €       | -669,8 €   | -1.552,3 €                  | 0 €           | -1.552,3 €     | -1.108,6 € | 438,8 €     | 2.229,7 €  |
| 18  | 0 €                                     | -76,6 €          | -1.029,7 €     | 149,6 €       | -956,7 €       | -669,8 €   | -1.583,4 €                  | 0 €           | -1.583,4 €     | -1.108,6 € | 438,8 €     | 2.668,5 €  |
| 19  | 0 €                                     | -78,1 €          | -1.050,3 €     | 152,6 €       | -975,8 €       | -669,8 €   | -1.615 €                    | 0 €           | -1.615 €       | -1.108,6 € | 438,8 €     | 3.107,3 €  |
| 20  | -1.102,6 €                              | -79,6 €          | -1.071,3 €     | 155,6 €       | -2.097,9 €     | -1.411,8 € | -1.647,3 €                  | 0 €           | -1.647,3 €     | -1.108,6 € | -303,2 €    | 2.804,1 €  |
| 21  | 0 €                                     | -81,2 €          | -1.092,8 €     | 158,8 €       | -1.015,2 €     | -669,8 €   | -1.680,3 €                  | 0 €           | -1.680,3 €     | -1.108,6 € | 438,8 €     | 3.242,9 €  |
| 22  | 0 €                                     | -82,9 €          | -1.114,6 €     | 161,9 €       | -1.035,5 €     | -669,8 €   | -1.713,9 €                  | 0 €           | -1.713,9 €     | -1.108,6 € | 438,8 €     | 3.681,7 €  |
| 23  | 0 €                                     | -84,5 €          | -1.136,9 €     | 165,2 €       | -1.056,3 €     | -669,8 €   | -1.748,2 €                  | 0 €           | -1.748,2 €     | -1.108,6 € | 438,8 €     | 4.120,5 €  |
| 24  | 0 €                                     | -86,2 €          | -1.159,6 €     | 168,5 €       | -1.077,4 €     | -669,8 €   | -1.783,1 €                  | 0 €           | -1.783,1 €     | -1.108,6 € | 438,8 €     | 4.559,3 €  |
| 25  | 608,7 €                                 | -87,9 €          | -1.182,8 €     | 171,8 €       | -490,3 €       | -298,8 €   | -1.818,8 €                  | 0 €           | -1.818,8 €     | -1.108,6 € | 809,8 €     | 5.369,1 €  |

VAN 22.346,7 €

PAYBACK 11 años

AHORRO 5.369,1 €

LCOE 0,19 €/kWh

### 45. Instalación Año irradiación 2009 Bilbao

| AÑO | INSTALACION AUTOCONSUMO CONECTADA A RED |                  |                |               |                |            | INSTALACION SIN AUTOCONSUMO |               |                |            | COMPARATIVA |            |
|-----|-----------------------------------------|------------------|----------------|---------------|----------------|------------|-----------------------------|---------------|----------------|------------|-------------|------------|
|     | COSTES INSTALACION                      | C, MANTENIMIENTO | COMPRA ENERGIA | VENTA ENERGIA | FLUJOS DE CAJA | VAN        | COMPRA ENERGIA              | VENTA ENERGIA | FLUJOS DE CAJA | VAN        | AHORRO      | BALANCE    |
| 0   | -5.426,3 €                              | 0 €              | 0 €            | 0 €           | -5.426,3 €     | -5.426,3 € | 0 €                         | 0 €           | 0 €            | 0 €        | -5.426,3 €  | -5.426,3 € |
| 1   | 0 €                                     | -61,6 €          | -789,4 €       | 126,1 €       | -724,8 €       | -710,6 €   | -1.130,8 €                  | 0 €           | -1.130,8 €     | -1.108,6 € | 398,0 €     | -5.028,3 € |
| 2   | 0 €                                     | -62,8 €          | -805,1 €       | 128,7 €       | -739,3 €       | -710,6 €   | -1.153,4 €                  | 0 €           | -1.153,4 €     | -1.108,6 € | 398,0 €     | -4.630,3 € |
| 3   | 0 €                                     | -64,1 €          | -821,2 €       | 131,2 €       | -754,1 €       | -710,6 €   | -1.176,5 €                  | 0 €           | -1.176,5 €     | -1.108,6 € | 398,0 €     | -4.232 €   |
| 4   | 0 €                                     | -65,4 €          | -837,7 €       | 133,9 €       | -769,2 €       | -710,6 €   | -1.200 €                    | 0 €           | -1.200 €       | -1.108,6 € | 398,0 €     | -3.834,3 € |
| 5   | 0 €                                     | -66,7 €          | -854,4 €       | 136,5 €       | -784,6 €       | -710,6 €   | -1.224 €                    | 0 €           | -1.224 €       | -1.108,6 € | 398,0 €     | -3.436,3 € |
| 6   | 0 €                                     | -68 €            | -871,5 €       | 139,3 €       | -800,3 €       | -710,6 €   | -1.248,5 €                  | 0 €           | -1.248,5 €     | -1.108,6 € | 398,0 €     | -3.038,3 € |
| 7   | 0 €                                     | -69,4 €          | -888,9 €       | 142 €         | -816,3 €       | -710,6 €   | -1.273,5 €                  | 0 €           | -1.273,5 €     | -1.108,6 € | 398,0 €     | -2.640,3 € |
| 8   | 0 €                                     | -70,8 €          | -906,7 €       | 144,9 €       | -832,6 €       | -710,6 €   | -1.298,9 €                  | 0 €           | -1.298,9 €     | -1.108,6 € | 398,0 €     | -2.242 €   |
| 9   | 0 €                                     | -72,2 €          | -924,9 €       | 147,8 €       | -849,3 €       | -710,6 €   | -1.324,9 €                  | 0 €           | -1.324,9 €     | -1.108,6 € | 398,0 €     | -1.844,3 € |
| 10  | -904,5 €                                | -73,6 €          | -943,4 €       | 150,7 €       | -1.770,7 €     | -1.452,6 € | -1.351,4 €                  | 0 €           | -1.351,4 €     | -1.108,6 € | -344,0 €    | -2.188,3 € |
| 11  | 0 €                                     | -75,1 €          | -962,2 €       | 153,8 €       | -883,6 €       | -710,6 €   | -1.378,4 €                  | 0 €           | -1.378,4 €     | -1.108,6 € | 398,0 €     | -1.790,3 € |
| 12  | 0 €                                     | -76,6 €          | -981,5 €       | 156,8 €       | -901,2 €       | -710,6 €   | -1.406 €                    | 0 €           | -1.406 €       | -1.108,6 € | 398,0 €     | -1.392,3 € |
| 13  | 0 €                                     | -78,1 €          | -1.001,1 €     | 160 €         | -919,3 €       | -710,6 €   | -1.434,1 €                  | 0 €           | -1.434,1 €     | -1.108,6 € | 398,0 €     | -994,3 €   |
| 14  | 0 €                                     | -79,7 €          | -1.021,1 €     | 163,2 €       | -937,6 €       | -710,6 €   | -1.462,8 €                  | 0 €           | -1.462,8 €     | -1.108,6 € | 398,0 €     | -596 €     |
| 15  | 0 €                                     | -81,3 €          | -1.041,5 €     | 166,4 €       | -956,4 €       | -710,6 €   | -1.492,1 €                  | 0 €           | -1.492,1 €     | -1.108,6 € | 398,0 €     | -198,3 €   |
| 16  | 0 €                                     | -82,9 €          | -1.062,4 €     | 169,8 €       | -975,5 €       | -710,6 €   | -1.521,9 €                  | 0 €           | -1.521,9 €     | -1.108,6 € | 398,0 €     | 199,7 €    |
| 17  | 0 €                                     | -84,6 €          | -1.083,6 €     | 173,2 €       | -995 €         | -710,6 €   | -1.552,3 €                  | 0 €           | -1.552,3 €     | -1.108,6 € | 398,0 €     | 597,7 €    |
| 18  | 0 €                                     | -86,3 €          | -1.105,3 €     | 176,6 €       | -1.014,9 €     | -710,6 €   | -1.583,4 €                  | 0 €           | -1.583,4 €     | -1.108,6 € | 398,0 €     | 995,7 €    |
| 19  | 0 €                                     | -88 €            | -1.127,4 €     | 180,1 €       | -1.035,2 €     | -710,6 €   | -1.615 €                    | 0 €           | -1.615 €       | -1.108,6 € | 398,0 €     | 1.393,7 €  |
| 20  | -1.102,6 €                              | -89,8 €          | -1.149,9 €     | 183,8 €       | -2.158,5 €     | -1.452,6 € | -1.647,3 €                  | 0 €           | -1.647,3 €     | -1.108,6 € | -344,0 €    | 1.049,7 €  |
| 21  | 0 €                                     | -91,5 €          | -1.172,9 €     | 187,4 €       | -1.077,1 €     | -710,6 €   | -1.680,3 €                  | 0 €           | -1.680,3 €     | -1.108,6 € | 398,0 €     | 1.447,7 €  |
| 22  | 0 €                                     | -93,4 €          | -1.196,4 €     | 191,2 €       | -1.098,6 €     | -710,6 €   | -1.713,9 €                  | 0 €           | -1.713,9 €     | -1.108,6 € | 398,0 €     | 1.845,7 €  |
| 23  | 0 €                                     | -95,2 €          | -1.220,3 €     | 195 €         | -1.120,6 €     | -710,6 €   | -1.748,2 €                  | 0 €           | -1.748,2 €     | -1.108,6 € | 398,0 €     | 2.243,7 €  |
| 24  | 0 €                                     | -97,1 €          | -1.244,7 €     | 198,9 €       | -1.143 €       | -710,6 €   | -1.783,1 €                  | 0 €           | -1.783,1 €     | -1.108,6 € | 398,0 €     | 2.641,7 €  |
| 25  | 608,7 €                                 | -99,1 €          | -1.269,6 €     | 202,9 €       | -557,2 €       | -339,6 €   | -1.818,8 €                  | 0 €           | -1.818,8 €     | -1.108,6 € | 769,0 €     | 3.410,7 €  |

VAN 24.304,7 €

PAYBACK 15 años

AHORRO 3.410,7 €

LCOE 0,21 €/kWh

**46. Instalación Año irradiación 2012 Bilbao**

| AÑO | INSTALACION AUTOCONSUMO CONECTADA A RED |                  |                |               |                |            | INSTALACION SIN AUTOCONSUMO |               |                |            | COMPARATIVA |            |
|-----|-----------------------------------------|------------------|----------------|---------------|----------------|------------|-----------------------------|---------------|----------------|------------|-------------|------------|
|     | COSTES INSTALACION                      | C, MANTENIMIENTO | COMPRA ENERGIA | VENTA ENERGIA | FLUJOS DE CAJA | VAN        | COMPRA ENERGIA              | VENTA ENERGIA | FLUJOS DE CAJA | VAN        | AHORRO      | BALANCE    |
| 0   | -5.426,3 €                              | 0 €              | 0 €            | 0 €           | -5.426,3 €     | -5.426,3 € | 0 €                         | 0 €           | 0 €            | 0 €        | -5.426,3 €  | -5.426,3 € |
| 1   | 0 €                                     | -61,6 €          | -789,3 €       | 124,3 €       | -726,5 €       | -712,3 €   | -1.130,8 €                  | 0 €           | -1.130,8 €     | -1.108,6 € | 396,3 €     | -5.030,0 € |
| 2   | 0 €                                     | -62,8 €          | -805,1 €       | 126,8 €       | -741,1 €       | -712,3 €   | -1.153,4 €                  | 0 €           | -1.153,4 €     | -1.108,6 € | 396,3 €     | -4.633,7 € |
| 3   | 0 €                                     | -64,1 €          | -821,2 €       | 129,4 €       | -755,9 €       | -712,3 €   | -1.176,5 €                  | 0 €           | -1.176,5 €     | -1.108,6 € | 396,3 €     | -4.237 €   |
| 4   | 0 €                                     | -65,4 €          | -837,6 €       | 132 €         | -771 €         | -712,3 €   | -1.200 €                    | 0 €           | -1.200 €       | -1.108,6 € | 396,3 €     | -3.841,1 € |
| 5   | 0 €                                     | -66,7 €          | -854,4 €       | 134,6 €       | -786,4 €       | -712,3 €   | -1.224 €                    | 0 €           | -1.224 €       | -1.108,6 € | 396,3 €     | -3.444,8 € |
| 6   | 0 €                                     | -68 €            | -871,4 €       | 137,3 €       | -802,2 €       | -712,3 €   | -1.248,5 €                  | 0 €           | -1.248,5 €     | -1.108,6 € | 396,3 €     | -3.048,5 € |
| 7   | 0 €                                     | -69,4 €          | -888,9 €       | 140 €         | -818,2 €       | -712,3 €   | -1.273,5 €                  | 0 €           | -1.273,5 €     | -1.108,6 € | 396,3 €     | -2.652,2 € |
| 8   | 0 €                                     | -70,8 €          | -906,6 €       | 142,8 €       | -834,6 €       | -712,3 €   | -1.298,9 €                  | 0 €           | -1.298,9 €     | -1.108,6 € | 396,3 €     | -2.256 €   |
| 9   | 0 €                                     | -72,2 €          | -924,8 €       | 145,7 €       | -851,3 €       | -712,3 €   | -1.324,9 €                  | 0 €           | -1.324,9 €     | -1.108,6 € | 396,3 €     | -1.859,6 € |
| 10  | -904,5 €                                | -73,6 €          | -943,3 €       | 148,6 €       | -1.772,8 €     | -1.454,3 € | -1.351,4 €                  | 0 €           | -1.351,4 €     | -1.108,6 € | -345,7 €    | -2.205,3 € |
| 11  | 0 €                                     | -75,1 €          | -962,1 €       | 151,6 €       | -885,7 €       | -712,3 €   | -1.378,4 €                  | 0 €           | -1.378,4 €     | -1.108,6 € | 396,3 €     | -1.809,0 € |
| 12  | 0 €                                     | -76,6 €          | -981,4 €       | 154,6 €       | -903,4 €       | -712,3 €   | -1.406 €                    | 0 €           | -1.406 €       | -1.108,6 € | 396,3 €     | -1.412,7 € |
| 13  | 0 €                                     | -78,1 €          | -1.001 €       | 157,7 €       | -921,4 €       | -712,3 €   | -1.434,1 €                  | 0 €           | -1.434,1 €     | -1.108,6 € | 396,3 €     | -1.016,4 € |
| 14  | 0 €                                     | -79,7 €          | -1.021 €       | 160,9 €       | -939,9 €       | -712,3 €   | -1.462,8 €                  | 0 €           | -1.462,8 €     | -1.108,6 € | 396,3 €     | -620 €     |
| 15  | 0 €                                     | -81,3 €          | -1.041,4 €     | 164,1 €       | -958,7 €       | -712,3 €   | -1.492,1 €                  | 0 €           | -1.492,1 €     | -1.108,6 € | 396,3 €     | -223,8 €   |
| 16  | 0 €                                     | -82,9 €          | -1.062,3 €     | 167,4 €       | -977,8 €       | -712,3 €   | -1.521,9 €                  | 0 €           | -1.521,9 €     | -1.108,6 € | 396,3 €     | 172,5 €    |
| 17  | 0 €                                     | -84,6 €          | -1.083,5 €     | 170,7 €       | -997,4 €       | -712,3 €   | -1.552,3 €                  | 0 €           | -1.552,3 €     | -1.108,6 € | 396,3 €     | 568,8 €    |
| 18  | 0 €                                     | -86,3 €          | -1.105,2 €     | 174,1 €       | -1.017,3 €     | -712,3 €   | -1.583,4 €                  | 0 €           | -1.583,4 €     | -1.108,6 € | 396,3 €     | 965,1 €    |
| 19  | 0 €                                     | -88 €            | -1.127,3 €     | 177,6 €       | -1.037,7 €     | -712,3 €   | -1.615 €                    | 0 €           | -1.615 €       | -1.108,6 € | 396,3 €     | 1.361,4 €  |
| 20  | -1.102,6 €                              | -89,8 €          | -1.149,8 €     | 181,1 €       | -2.161 €       | -1.454,3 € | -1.647,3 €                  | 0 €           | -1.647,3 €     | -1.108,6 € | -345,7 €    | 1.015,7 €  |
| 21  | 0 €                                     | -91,5 €          | -1.172,8 €     | 184,8 €       | -1.079,6 €     | -712,3 €   | -1.680,3 €                  | 0 €           | -1.680,3 €     | -1.108,6 € | 396,3 €     | 1.412,0 €  |
| 22  | 0 €                                     | -93,4 €          | -1.196,3 €     | 188,5 €       | -1.101,2 €     | -712,3 €   | -1.713,9 €                  | 0 €           | -1.713,9 €     | -1.108,6 € | 396,3 €     | 1.808,3 €  |
| 23  | 0 €                                     | -95,2 €          | -1.220,2 €     | 192,2 €       | -1.123,2 €     | -712,3 €   | -1.748,2 €                  | 0 €           | -1.748,2 €     | -1.108,6 € | 396,3 €     | 2.204,6 €  |
| 24  | 0 €                                     | -97,1 €          | -1.244,6 €     | 196,1 €       | -1.145,7 €     | -712,3 €   | -1.783,1 €                  | 0 €           | -1.783,1 €     | -1.108,6 € | 396,3 €     | 2.600,9 €  |
| 25  | 608,7 €                                 | -99,1 €          | -1.269,5 €     | 200 €         | -559,9 €       | -341,3 €   | -1.818,8 €                  | 0 €           | -1.818,8 €     | -1.108,6 € | 767,3 €     | 3.368,2 €  |

VAN 24.346,9 €

PAYBACK 15 años

AHORRO 3.368,2 €

LCOE 0,21 €/kWh

### 47. Instalación -10° inclinación paneles Zaragoza

| AÑO | INSTALACION AUTOCONSUMO CONECTADA A RED |                  |                |               |                |            | INSTALACION SIN AUTOCONSUMO |               |                |            | COMPARATIVA |            |
|-----|-----------------------------------------|------------------|----------------|---------------|----------------|------------|-----------------------------|---------------|----------------|------------|-------------|------------|
|     | COSTES INSTALACION                      | C, MANTENIMIENTO | COMPRA ENERGIA | VENTA ENERGIA | FLUJOS DE CAJA | VAN        | COMPRA ENERGIA              | VENTA ENERGIA | FLUJOS DE CAJA | VAN        | AHORRO      | BALANCE    |
| 0   | -4.487,9 €                              | 0 €              | 0 €            | 0 €           | -4.487,9 €     | -4.487,9 € | 0 €                         | 0 €           | 0 €            | 0 €        | -4.487,9 €  | -4.487,9 € |
| 1   | 0 €                                     | -54,7 €          | -772 €         | 104,2 €       | -722,4 €       | -708,2 €   | -1.130,8 €                  | 0 €           | -1.130,8 €     | -1.108,6 € | 400,4 €     | -4.087,5 € |
| 2   | 0 €                                     | -55,8 €          | -787,4 €       | 106,3 €       | -736,9 €       | -708,2 €   | -1.153,4 €                  | 0 €           | -1.153,4 €     | -1.108,6 € | 400,4 €     | -3.687,1 € |
| 3   | 0 €                                     | -56,9 €          | -803,2 €       | 108,4 €       | -751,6 €       | -708,2 €   | -1.176,5 €                  | 0 €           | -1.176,5 €     | -1.108,6 € | 400,4 €     | -3.287 €   |
| 4   | 0 €                                     | -58,0 €          | -819,2 €       | 110,6 €       | -766,6 €       | -708,2 €   | -1.200 €                    | 0 €           | -1.200 €       | -1.108,6 € | 400,4 €     | -2.886,3 € |
| 5   | 0 €                                     | -59,2 €          | -835,6 €       | 112,8 €       | -782 €         | -708,2 €   | -1.224 €                    | 0 €           | -1.224 €       | -1.108,6 € | 400,4 €     | -2.485,9 € |
| 6   | 0 €                                     | -60,4 €          | -852,3 €       | 115,1 €       | -797,6 €       | -708,2 €   | -1.248,5 €                  | 0 €           | -1.248,5 €     | -1.108,6 € | 400,4 €     | -2.085,5 € |
| 7   | 0 €                                     | -61,6 €          | -869,4 €       | 117,4 €       | -813,6 €       | -708,2 €   | -1.273,5 €                  | 0 €           | -1.273,5 €     | -1.108,6 € | 400,4 €     | -1.685,1 € |
| 8   | 0 €                                     | -62,8 €          | -886,7 €       | 119,7 €       | -829,8 €       | -708,2 €   | -1.298,9 €                  | 0 €           | -1.298,9 €     | -1.108,6 € | 400,4 €     | -1.285 €   |
| 9   | 0 €                                     | -64,1 €          | -904,5 €       | 122,1 €       | -846,4 €       | -708,2 €   | -1.324,9 €                  | 0 €           | -1.324,9 €     | -1.108,6 € | 400,4 €     | -884,3 €   |
| 10  | -904,5 €                                | -65,3 €          | -922,6 €       | 124,6 €       | -1.767,8 €     | -1.450,2 € | -1.351,4 €                  | 0 €           | -1.351,4 €     | -1.108,6 € | -341,6 €    | -1.225,9 € |
| 11  | 0 €                                     | -66,6 €          | -941 €         | 127,1 €       | -880,6 €       | -708,2 €   | -1.378,4 €                  | 0 €           | -1.378,4 €     | -1.108,6 € | 400,4 €     | -825,5 €   |
| 12  | 0 €                                     | -68,0 €          | -959,8 €       | 129,6 €       | -898,2 €       | -708,2 €   | -1.406 €                    | 0 €           | -1.406 €       | -1.108,6 € | 400,4 €     | -425,1 €   |
| 13  | 0 €                                     | -69,3 €          | -979,0 €       | 132,2 €       | -916,2 €       | -708,2 €   | -1.434,1 €                  | 0 €           | -1.434,1 €     | -1.108,6 € | 400,4 €     | -24,7 €    |
| 14  | 0 €                                     | -70,7 €          | -998,6 €       | 134,8 €       | -934,5 €       | -708,2 €   | -1.462,8 €                  | 0 €           | -1.462,8 €     | -1.108,6 € | 400,4 €     | 376 €      |
| 15  | 0 €                                     | -72,1 €          | -1.018,6 €     | 137,5 €       | -953,2 €       | -708,2 €   | -1.492,1 €                  | 0 €           | -1.492,1 €     | -1.108,6 € | 400,4 €     | 776,1 €    |
| 16  | 0 €                                     | -73,6 €          | -1.039 €       | 140,3 €       | -972,3 €       | -708,2 €   | -1.521,9 €                  | 0 €           | -1.521,9 €     | -1.108,6 € | 400,4 €     | 1.176,5 €  |
| 17  | 0 €                                     | -75,1 €          | -1.059,7 €     | 143,1 €       | -991,7 €       | -708,2 €   | -1.552,3 €                  | 0 €           | -1.552,3 €     | -1.108,6 € | 400,4 €     | 1.576,9 €  |
| 18  | 0 €                                     | -76,6 €          | -1.080,9 €     | 145,9 €       | -1.011,5 €     | -708,2 €   | -1.583,4 €                  | 0 €           | -1.583,4 €     | -1.108,6 € | 400,4 €     | 1.977,3 €  |
| 19  | 0 €                                     | -78,1 €          | -1.102,6 €     | 148,9 €       | -1.031,8 €     | -708,2 €   | -1.615 €                    | 0 €           | -1.615 €       | -1.108,6 € | 400,4 €     | 2.377,7 €  |
| 20  | -1.102,6 €                              | -79,6 €          | -1.124,6 €     | 151,8 €       | -2.155 €       | -1.450,2 € | -1.647,3 €                  | 0 €           | -1.647,3 €     | -1.108,6 € | -341,6 €    | 2.036,1 €  |
| 21  | 0 €                                     | -81,2 €          | -1.147,1 €     | 154,9 €       | -1.073,5 €     | -708,2 €   | -1.680,3 €                  | 0 €           | -1.680,3 €     | -1.108,6 € | 400,4 €     | 2.436,5 €  |
| 22  | 0 €                                     | -82,9 €          | -1.170 €       | 158 €         | -1.094,9 €     | -708,2 €   | -1.713,9 €                  | 0 €           | -1.713,9 €     | -1.108,6 € | 400,4 €     | 2.836,9 €  |
| 23  | 0 €                                     | -84,5 €          | -1.193,4 €     | 161,1 €       | -1.116,8 €     | -708,2 €   | -1.748,2 €                  | 0 €           | -1.748,2 €     | -1.108,6 € | 400,4 €     | 3.237,3 €  |
| 24  | 0 €                                     | -86,2 €          | -1.217,3 €     | 164,4 €       | -1.139,2 €     | -708,2 €   | -1.783,1 €                  | 0 €           | -1.783,1 €     | -1.108,6 € | 400,4 €     | 3.637,7 €  |
| 25  | 608,7 €                                 | -87,9 €          | -1.241,7 €     | 167,6 €       | -553,3 €       | -337,2 €   | -1.818,8 €                  | 0 €           | -1.818,8 €     | -1.108,6 € | 771,4 €     | 4.409,1 €  |

VAN 23.307 €

PAYBACK 13 años

AHORRO 4.409,1 €

LCOE 0,2 €/kWh

### 48. Instalación +10° inclinación paneles Zaragoza

| AÑO | INSTALACION AUTOCONSUMO CONECTADA A RED |                  |                |               |                |            | INSTALACION SIN AUTOCONSUMO |               |                |            | COMPARATIVA |            |
|-----|-----------------------------------------|------------------|----------------|---------------|----------------|------------|-----------------------------|---------------|----------------|------------|-------------|------------|
|     | COSTES INSTALACION                      | C, MANTENIMIENTO | COMPRA ENERGIA | VENTA ENERGIA | FLUJOS DE CAJA | VAN        | COMPRA ENERGIA              | VENTA ENERGIA | FLUJOS DE CAJA | VAN        | AHORRO      | BALANCE    |
| 0   | -4.487,9 €                              | 0 €              | 0 €            | 0 €           | -4.487,9 €     | -4.487,9 € | 0 €                         | 0 €           | 0 €            | 0 €        | -4.487,9 €  | -4.487,9 € |
| 1   | 0 €                                     | -54,7 €          | -778 €         | 103,5 €       | -729,1 €       | -714,8 €   | -1.130,8 €                  | 0 €           | -1.130,8 €     | -1.108,6 € | 393,8 €     | -4.094,1 € |
| 2   | 0 €                                     | -55,8 €          | -793,6 €       | 105,6 €       | -743,7 €       | -714,8 €   | -1.153,4 €                  | 0 €           | -1.153,4 €     | -1.108,6 € | 393,8 €     | -3.700,3 € |
| 3   | 0 €                                     | -56,9 €          | -809,4 €       | 107,7 €       | -758,6 €       | -714,8 €   | -1.176,5 €                  | 0 €           | -1.176,5 €     | -1.108,6 € | 393,8 €     | -3.307 €   |
| 4   | 0 €                                     | -58,0 €          | -825,6 €       | 109,9 €       | -773,8 €       | -714,8 €   | -1.200 €                    | 0 €           | -1.200 €       | -1.108,6 € | 393,8 €     | -2.912,7 € |
| 5   | 0 €                                     | -59,2 €          | -842,1 €       | 112,1 €       | -789,2 €       | -714,8 €   | -1.224 €                    | 0 €           | -1.224 €       | -1.108,6 € | 393,8 €     | -2.518,9 € |
| 6   | 0 €                                     | -60,4 €          | -859 €         | 114,3 €       | -805 €         | -714,8 €   | -1.248,5 €                  | 0 €           | -1.248,5 €     | -1.108,6 € | 393,8 €     | -2.125,1 € |
| 7   | 0 €                                     | -61,6 €          | -876,2 €       | 116,6 €       | -821,1 €       | -714,8 €   | -1.273,5 €                  | 0 €           | -1.273,5 €     | -1.108,6 € | 393,8 €     | -1.731,3 € |
| 8   | 0 €                                     | -62,8 €          | -893,7 €       | 118,9 €       | -837,6 €       | -714,8 €   | -1.298,9 €                  | 0 €           | -1.298,9 €     | -1.108,6 € | 393,8 €     | -1.338 €   |
| 9   | 0 €                                     | -64,1 €          | -911,6 €       | 121,3 €       | -854,3 €       | -714,8 €   | -1.324,9 €                  | 0 €           | -1.324,9 €     | -1.108,6 € | 393,8 €     | -943,7 €   |
| 10  | -904,5 €                                | -65,3 €          | -929,8 €       | 123,7 €       | -1.775,9 €     | -1.456,8 € | -1.351,4 €                  | 0 €           | -1.351,4 €     | -1.108,6 € | -348,2 €    | -1.291,9 € |
| 11  | 0 €                                     | -66,6 €          | -948,4 €       | 126,2 €       | -888,8 €       | -714,8 €   | -1.378,4 €                  | 0 €           | -1.378,4 €     | -1.108,6 € | 393,8 €     | -898,1 €   |
| 12  | 0 €                                     | -68,0 €          | -967,4 €       | 128,7 €       | -906,6 €       | -714,8 €   | -1.406 €                    | 0 €           | -1.406 €       | -1.108,6 € | 393,8 €     | -504,3 €   |
| 13  | 0 €                                     | -69,3 €          | -986,7 €       | 131,3 €       | -924,7 €       | -714,8 €   | -1.434,1 €                  | 0 €           | -1.434,1 €     | -1.108,6 € | 393,8 €     | -110,5 €   |
| 14  | 0 €                                     | -70,7 €          | -1.006,4 €     | 133,9 €       | -943,2 €       | -714,8 €   | -1.462,8 €                  | 0 €           | -1.462,8 €     | -1.108,6 € | 393,8 €     | 283 €      |
| 15  | 0 €                                     | -72,1 €          | -1.026,6 €     | 136,6 €       | -962,1 €       | -714,8 €   | -1.492,1 €                  | 0 €           | -1.492,1 €     | -1.108,6 € | 393,8 €     | 677,1 €    |
| 16  | 0 €                                     | -73,6 €          | -1.047,1 €     | 139,3 €       | -981,3 €       | -714,8 €   | -1.521,9 €                  | 0 €           | -1.521,9 €     | -1.108,6 € | 393,8 €     | 1.070,9 €  |
| 17  | 0 €                                     | -75,1 €          | -1.068 €       | 142,1 €       | -1.001 €       | -714,8 €   | -1.552,3 €                  | 0 €           | -1.552,3 €     | -1.108,6 € | 393,8 €     | 1.464,7 €  |
| 18  | 0 €                                     | -76,6 €          | -1.089,4 €     | 145 €         | -1.021 €       | -714,8 €   | -1.583,4 €                  | 0 €           | -1.583,4 €     | -1.108,6 € | 393,8 €     | 1.858,5 €  |
| 19  | 0 €                                     | -78,1 €          | -1.111,2 €     | 147,9 €       | -1.041,4 €     | -714,8 €   | -1.615 €                    | 0 €           | -1.615 €       | -1.108,6 € | 393,8 €     | 2.252,3 €  |
| 20  | -1.102,6 €                              | -79,6 €          | -1.133,4 €     | 150,8 €       | -2.164,8 €     | -1.456,8 € | -1.647,3 €                  | 0 €           | -1.647,3 €     | -1.108,6 € | -348,2 €    | 1.904,1 €  |
| 21  | 0 €                                     | -81,2 €          | -1.156,1 €     | 153,9 €       | -1.083,5 €     | -714,8 €   | -1.680,3 €                  | 0 €           | -1.680,3 €     | -1.108,6 € | 393,8 €     | 2.297,9 €  |
| 22  | 0 €                                     | -82,9 €          | -1.179,2 €     | 156,9 €       | -1.105,1 €     | -714,8 €   | -1.713,9 €                  | 0 €           | -1.713,9 €     | -1.108,6 € | 393,8 €     | 2.691,7 €  |
| 23  | 0 €                                     | -84,5 €          | -1.202,8 €     | 160,1 €       | -1.127,2 €     | -714,8 €   | -1.748,2 €                  | 0 €           | -1.748,2 €     | -1.108,6 € | 393,8 €     | 3.085,5 €  |
| 24  | 0 €                                     | -86,2 €          | -1.226,8 €     | 163,3 €       | -1.149,8 €     | -714,8 €   | -1.783,1 €                  | 0 €           | -1.783,1 €     | -1.108,6 € | 393,8 €     | 3.479,3 €  |
| 25  | 608,7 €                                 | -87,9 €          | -1.251,4 €     | 166,5 €       | -564,1 €       | -343,8 €   | -1.818,8 €                  | 0 €           | -1.818,8 €     | -1.108,6 € | 764,8 €     | 4.244,1 €  |

VAN 23.472 €

PAYBACK 13 años

AHORRO 4.244,1 €

LCOE 0,2 €/kWh

### 49. Instalación -20° inclinación paneles Zaragoza

| AÑO | INSTALACION AUTOCONSUMO CONECTADA A RED |                  |                |               |                |            | INSTALACION SIN AUTOCONSUMO |               |                |            | COMPARATIVA |            |
|-----|-----------------------------------------|------------------|----------------|---------------|----------------|------------|-----------------------------|---------------|----------------|------------|-------------|------------|
|     | COSTES INSTALACION                      | C, MANTENIMIENTO | COMPRA ENERGIA | VENTA ENERGIA | FLUJOS DE CAJA | VAN        | COMPRA ENERGIA              | VENTA ENERGIA | FLUJOS DE CAJA | VAN        | AHORRO      | BALANCE    |
| 0   | -4.487,9 €                              | 0 €              | 0 €            | 0 €           | -4.487,9 €     | -4.487,9 € | 0 €                         | 0 €           | 0 €            | 0 €        | -4.487,9 €  | -4.487,9 € |
| 1   | 0 €                                     | -54,7 €          | -774,7 €       | 99,2 €        | -730,2 €       | -715,9 €   | -1.130,8 €                  | 0 €           | -1.130,8 €     | -1.108,6 € | 392,7 €     | -4.095,2 € |
| 2   | 0 €                                     | -55,8 €          | -790,2 €       | 101,2 €       | -744,8 €       | -715,9 €   | -1.153,4 €                  | 0 €           | -1.153,4 €     | -1.108,6 € | 392,7 €     | -3.702,5 € |
| 3   | 0 €                                     | -56,9 €          | -806 €         | 103,2 €       | -759,7 €       | -715,9 €   | -1.176,5 €                  | 0 €           | -1.176,5 €     | -1.108,6 € | 392,7 €     | -3.310 €   |
| 4   | 0 €                                     | -58,0 €          | -822,1 €       | 105,3 €       | -774,9 €       | -715,9 €   | -1.200 €                    | 0 €           | -1.200 €       | -1.108,6 € | 392,7 €     | -2.917,1 € |
| 5   | 0 €                                     | -59,2 €          | -838,6 €       | 107,4 €       | -790,4 €       | -715,9 €   | -1.224 €                    | 0 €           | -1.224 €       | -1.108,6 € | 392,7 €     | -2.524,4 € |
| 6   | 0 €                                     | -60,4 €          | -855,3 €       | 109,5 €       | -806,2 €       | -715,9 €   | -1.248,5 €                  | 0 €           | -1.248,5 €     | -1.108,6 € | 392,7 €     | -2.131,7 € |
| 7   | 0 €                                     | -61,6 €          | -872,4 €       | 111,7 €       | -822,3 €       | -715,9 €   | -1.273,5 €                  | 0 €           | -1.273,5 €     | -1.108,6 € | 392,7 €     | -1.739,0 € |
| 8   | 0 €                                     | -62,8 €          | -889,9 €       | 114 €         | -838,7 €       | -715,9 €   | -1.298,9 €                  | 0 €           | -1.298,9 €     | -1.108,6 € | 392,7 €     | -1.346 €   |
| 9   | 0 €                                     | -64,1 €          | -907,7 €       | 116,2 €       | -855,5 €       | -715,9 €   | -1.324,9 €                  | 0 €           | -1.324,9 €     | -1.108,6 € | 392,7 €     | -953,6 €   |
| 10  | -904,5 €                                | -65,3 €          | -925,8 €       | 118,6 €       | -1.777,1 €     | -1.457,9 € | -1.351,4 €                  | 0 €           | -1.351,4 €     | -1.108,6 € | -349,3 €    | -1.302,9 € |
| 11  | 0 €                                     | -66,6 €          | -944,4 €       | 120,9 €       | -890,1 €       | -715,9 €   | -1.378,4 €                  | 0 €           | -1.378,4 €     | -1.108,6 € | 392,7 €     | -910,2 €   |
| 12  | 0 €                                     | -68,0 €          | -963,3 €       | 123,4 €       | -907,9 €       | -715,9 €   | -1.406 €                    | 0 €           | -1.406 €       | -1.108,6 € | 392,7 €     | -517,5 €   |
| 13  | 0 €                                     | -69,3 €          | -982,5 €       | 125,8 €       | -926 €         | -715,9 €   | -1.434,1 €                  | 0 €           | -1.434,1 €     | -1.108,6 € | 392,7 €     | -124,8 €   |
| 14  | 0 €                                     | -70,7 €          | -1.002,2 €     | 128,3 €       | -944,6 €       | -715,9 €   | -1.462,8 €                  | 0 €           | -1.462,8 €     | -1.108,6 € | 392,7 €     | 268 €      |
| 15  | 0 €                                     | -72,1 €          | -1.022,2 €     | 130,9 €       | -963,4 €       | -715,9 €   | -1.492,1 €                  | 0 €           | -1.492,1 €     | -1.108,6 € | 392,7 €     | 660,6 €    |
| 16  | 0 €                                     | -73,6 €          | -1.042,7 €     | 133,5 €       | -982,7 €       | -715,9 €   | -1.521,9 €                  | 0 €           | -1.521,9 €     | -1.108,6 € | 392,7 €     | 1.053,3 €  |
| 17  | 0 €                                     | -75,1 €          | -1.063,5 €     | 136,2 €       | -1.002,4 €     | -715,9 €   | -1.552,3 €                  | 0 €           | -1.552,3 €     | -1.108,6 € | 392,7 €     | 1.446,0 €  |
| 18  | 0 €                                     | -76,6 €          | -1.084,8 €     | 138,9 €       | -1.022,4 €     | -715,9 €   | -1.583,4 €                  | 0 €           | -1.583,4 €     | -1.108,6 € | 392,7 €     | 1.838,7 €  |
| 19  | 0 €                                     | -78,1 €          | -1.106,5 €     | 141,7 €       | -1.042,9 €     | -715,9 €   | -1.615 €                    | 0 €           | -1.615 €       | -1.108,6 € | 392,7 €     | 2.231,4 €  |
| 20  | -1.102,6 €                              | -79,6 €          | -1.128,6 €     | 144,5 €       | -2.166,3 €     | -1.457,9 € | -1.647,3 €                  | 0 €           | -1.647,3 €     | -1.108,6 € | -349,3 €    | 1.882,1 €  |
| 21  | 0 €                                     | -81,2 €          | -1.151,2 €     | 147,4 €       | -1.085 €       | -715,9 €   | -1.680,3 €                  | 0 €           | -1.680,3 €     | -1.108,6 € | 392,7 €     | 2.274,8 €  |
| 22  | 0 €                                     | -82,9 €          | -1.174,2 €     | 150,4 €       | -1.106,7 €     | -715,9 €   | -1.713,9 €                  | 0 €           | -1.713,9 €     | -1.108,6 € | 392,7 €     | 2.667,5 €  |
| 23  | 0 €                                     | -84,5 €          | -1.197,7 €     | 153,4 €       | -1.128,8 €     | -715,9 €   | -1.748,2 €                  | 0 €           | -1.748,2 €     | -1.108,6 € | 392,7 €     | 3.060,2 €  |
| 24  | 0 €                                     | -86,2 €          | -1.221,6 €     | 156,4 €       | -1.151,4 €     | -715,9 €   | -1.783,1 €                  | 0 €           | -1.783,1 €     | -1.108,6 € | 392,7 €     | 3.452,9 €  |
| 25  | 608,7 €                                 | -87,9 €          | -1.246,1 €     | 159,6 €       | -565,8 €       | -344,9 €   | -1.818,8 €                  | 0 €           | -1.818,8 €     | -1.108,6 € | 763,7 €     | 4.216,6 €  |

VAN 23.497 €

PAYBACK 13 años

AHORRO 4.216,6 €

LCOE 0,2 €/kWh

**50. Instalación +20° inclinación paneles Zaragoza**

| AÑO | INSTALACION AUTOCONSUMO CONECTADA A RED |                  |                |               |                |            | INSTALACION SIN AUTOCONSUMO |               |                |            | COMPARATIVA |            |
|-----|-----------------------------------------|------------------|----------------|---------------|----------------|------------|-----------------------------|---------------|----------------|------------|-------------|------------|
|     | COSTES INSTALACION                      | C, MANTENIMIENTO | COMPRA ENERGIA | VENTA ENERGIA | FLUJOS DE CAJA | VAN        | COMPRA ENERGIA              | VENTA ENERGIA | FLUJOS DE CAJA | VAN        | AHORRO      | BALANCE    |
| 0   | -4.487,9 €                              | 0 €              | 0 €            | 0 €           | -4.487,9 €     | -4.487,9 € | 0 €                         | 0 €           | 0 €            | 0 €        | -4.487,9 €  | -4.487,9 € |
| 1   | 0 €                                     | -54,7 €          | -785,5 €       | 97,5 €        | -742,7 €       | -728,1 €   | -1.130,8 €                  | 0 €           | -1.130,8 €     | -1.108,6 € | 380,5 €     | -4.107,4 € |
| 2   | 0 €                                     | -55,8 €          | -801,2 €       | 99,5 €        | -757,5 €       | -728,1 €   | -1.153,4 €                  | 0 €           | -1.153,4 €     | -1.108,6 € | 380,5 €     | -3.726,9 € |
| 3   | 0 €                                     | -56,9 €          | -817,2 €       | 101,5 €       | -772,7 €       | -728,1 €   | -1.176,5 €                  | 0 €           | -1.176,5 €     | -1.108,6 € | 380,5 €     | -3.346 €   |
| 4   | 0 €                                     | -58,0 €          | -833,6 €       | 103,5 €       | -788,1 €       | -728,1 €   | -1.200 €                    | 0 €           | -1.200 €       | -1.108,6 € | 380,5 €     | -2.965,9 € |
| 5   | 0 €                                     | -59,2 €          | -850,3 €       | 105,6 €       | -803,9 €       | -728,1 €   | -1.224 €                    | 0 €           | -1.224 €       | -1.108,6 € | 380,5 €     | -2.585,4 € |
| 6   | 0 €                                     | -60,4 €          | -867,3 €       | 107,7 €       | -819,9 €       | -728,1 €   | -1.248,5 €                  | 0 €           | -1.248,5 €     | -1.108,6 € | 380,5 €     | -2.204,9 € |
| 7   | 0 €                                     | -61,6 €          | -884,6 €       | 109,8 €       | -836,3 €       | -728,1 €   | -1.273,5 €                  | 0 €           | -1.273,5 €     | -1.108,6 € | 380,5 €     | -1.824,4 € |
| 8   | 0 €                                     | -62,8 €          | -902,3 €       | 112 €         | -853,1 €       | -728,1 €   | -1.298,9 €                  | 0 €           | -1.298,9 €     | -1.108,6 € | 380,5 €     | -1.444 €   |
| 9   | 0 €                                     | -64,1 €          | -920,4 €       | 114,3 €       | -870,1 €       | -728,1 €   | -1.324,9 €                  | 0 €           | -1.324,9 €     | -1.108,6 € | 380,5 €     | -1.063,4 € |
| 10  | -904,5 €                                | -65,3 €          | -938,8 €       | 116,6 €       | -1.792 €       | -1.470,1 € | -1.351,4 €                  | 0 €           | -1.351,4 €     | -1.108,6 € | -361,5 €    | -1.424,9 € |
| 11  | 0 €                                     | -66,6 €          | -957,5 €       | 118,9 €       | -905,3 €       | -728,1 €   | -1.378,4 €                  | 0 €           | -1.378,4 €     | -1.108,6 € | 380,5 €     | -1.044,4 € |
| 12  | 0 €                                     | -68,0 €          | -976,7 €       | 121,3 €       | -923,4 €       | -728,1 €   | -1.406 €                    | 0 €           | -1.406 €       | -1.108,6 € | 380,5 €     | -663,9 €   |
| 13  | 0 €                                     | -69,3 €          | -996,2 €       | 123,7 €       | -941,9 €       | -728,1 €   | -1.434,1 €                  | 0 €           | -1.434,1 €     | -1.108,6 € | 380,5 €     | -283,4 €   |
| 14  | 0 €                                     | -70,7 €          | -1.016,1 €     | 126,2 €       | -960,7 €       | -728,1 €   | -1.462,8 €                  | 0 €           | -1.462,8 €     | -1.108,6 € | 380,5 €     | 97 €       |
| 15  | 0 €                                     | -72,1 €          | -1.036,5 €     | 128,7 €       | -979,9 €       | -728,1 €   | -1.492,1 €                  | 0 €           | -1.492,1 €     | -1.108,6 € | 380,5 €     | 477,6 €    |
| 16  | 0 €                                     | -73,6 €          | -1.057,2 €     | 131,3 €       | -999,5 €       | -728,1 €   | -1.521,9 €                  | 0 €           | -1.521,9 €     | -1.108,6 € | 380,5 €     | 858,1 €    |
| 17  | 0 €                                     | -75,1 €          | -1.078,3 €     | 133,9 €       | -1.019,5 €     | -728,1 €   | -1.552,3 €                  | 0 €           | -1.552,3 €     | -1.108,6 € | 380,5 €     | 1.238,6 €  |
| 18  | 0 €                                     | -76,6 €          | -1.099,9 €     | 136,6 €       | -1.039,9 €     | -728,1 €   | -1.583,4 €                  | 0 €           | -1.583,4 €     | -1.108,6 € | 380,5 €     | 1.619,1 €  |
| 19  | 0 €                                     | -78,1 €          | -1.121,9 €     | 139,3 €       | -1.060,7 €     | -728,1 €   | -1.615 €                    | 0 €           | -1.615 €       | -1.108,6 € | 380,5 €     | 1.999,6 €  |
| 20  | -1.102,6 €                              | -79,6 €          | -1.144,3 €     | 142,1 €       | -2.184,5 €     | -1.470,1 € | -1.647,3 €                  | 0 €           | -1.647,3 €     | -1.108,6 € | -361,5 €    | 1.638,1 €  |
| 21  | 0 €                                     | -81,2 €          | -1.167,2 €     | 144,9 €       | -1.103,5 €     | -728,1 €   | -1.680,3 €                  | 0 €           | -1.680,3 €     | -1.108,6 € | 380,5 €     | 2.018,6 €  |
| 22  | 0 €                                     | -82,9 €          | -1.190,6 €     | 147,8 €       | -1.125,6 €     | -728,1 €   | -1.713,9 €                  | 0 €           | -1.713,9 €     | -1.108,6 € | 380,5 €     | 2.399,1 €  |
| 23  | 0 €                                     | -84,5 €          | -1.214,4 €     | 150,8 €       | -1.148,1 €     | -728,1 €   | -1.748,2 €                  | 0 €           | -1.748,2 €     | -1.108,6 € | 380,5 €     | 2.779,6 €  |
| 24  | 0 €                                     | -86,2 €          | -1.238,7 €     | 153,8 €       | -1.171,1 €     | -728,1 €   | -1.783,1 €                  | 0 €           | -1.783,1 €     | -1.108,6 € | 380,5 €     | 3.160,1 €  |
| 25  | 608,7 €                                 | -87,9 €          | -1.263,4 €     | 156,9 €       | -585,8 €       | -357,1 €   | -1.818,8 €                  | 0 €           | -1.818,8 €     | -1.108,6 € | 751,5 €     | 3.911,6 €  |

VAN 23.803 €

PAYBACK 13 años

AHORRO 3.911,6 €

LCOE 0,2 €/kWh

### 51. Instalación -30° inclinación paneles Zaragoza

| AÑO | INSTALACION AUTOCONSUMO CONECTADA A RED |                  |                |               |                |            | INSTALACION SIN AUTOCONSUMO |               |                |            | COMPARATIVA |            |
|-----|-----------------------------------------|------------------|----------------|---------------|----------------|------------|-----------------------------|---------------|----------------|------------|-------------|------------|
|     | COSTES INSTALACION                      | C, MANTENIMIENTO | COMPRA ENERGIA | VENTA ENERGIA | FLUJOS DE CAJA | VAN        | COMPRA ENERGIA              | VENTA ENERGIA | FLUJOS DE CAJA | VAN        | AHORRO      | BALANCE    |
| 0   | -4.487,9 €                              | 0 €              | 0 €            | 0 €           | -4.487,9 €     | -4.487,9 € | 0 €                         | 0 €           | 0 €            | 0 €        | -4.487,9 €  | -4.487,9 € |
| 1   | 0 €                                     | -54,7 €          | -797,2 €       | 88 €          | -763,9 €       | -748,9 €   | -1.130,8 €                  | 0 €           | -1.130,8 €     | -1.108,6 € | 359,7 €     | -4.128,2 € |
| 2   | 0 €                                     | -55,8 €          | -813,1 €       | 89,7 €        | -779,2 €       | -748,9 €   | -1.153,4 €                  | 0 €           | -1.153,4 €     | -1.108,6 € | 359,7 €     | -3.768,5 € |
| 3   | 0 €                                     | -56,9 €          | -829,4 €       | 91,5 €        | -794,7 €       | -748,9 €   | -1.176,5 €                  | 0 €           | -1.176,5 €     | -1.108,6 € | 359,7 €     | -3.409 €   |
| 4   | 0 €                                     | -58,0 €          | -846 €         | 93,4 €        | -810,6 €       | -748,9 €   | -1.200 €                    | 0 €           | -1.200 €       | -1.108,6 € | 359,7 €     | -3.049,1 € |
| 5   | 0 €                                     | -59,2 €          | -862,9 €       | 95,2 €        | -826,9 €       | -748,9 €   | -1.224 €                    | 0 €           | -1.224 €       | -1.108,6 € | 359,7 €     | -2.689,4 € |
| 6   | 0 €                                     | -60,4 €          | -880,2 €       | 97,1 €        | -843,4 €       | -748,9 €   | -1.248,5 €                  | 0 €           | -1.248,5 €     | -1.108,6 € | 359,7 €     | -2.329,7 € |
| 7   | 0 €                                     | -61,6 €          | -897,8 €       | 99,1 €        | -860,3 €       | -748,9 €   | -1.273,5 €                  | 0 €           | -1.273,5 €     | -1.108,6 € | 359,7 €     | -1.970,0 € |
| 8   | 0 €                                     | -62,8 €          | -915,7 €       | 101,1 €       | -877,5 €       | -748,9 €   | -1.298,9 €                  | 0 €           | -1.298,9 €     | -1.108,6 € | 359,7 €     | -1.610 €   |
| 9   | 0 €                                     | -64,1 €          | -934 €         | 103,1 €       | -895 €         | -748,9 €   | -1.324,9 €                  | 0 €           | -1.324,9 €     | -1.108,6 € | 359,7 €     | -1.250,6 € |
| 10  | -904,5 €                                | -65,3 €          | -952,7 €       | 105,2 €       | -1.817,4 €     | -1.490,9 € | -1.351,4 €                  | 0 €           | -1.351,4 €     | -1.108,6 € | -382,3 €    | -1.632,9 € |
| 11  | 0 €                                     | -66,6 €          | -971,8 €       | 107,3 €       | -931,2 €       | -748,9 €   | -1.378,4 €                  | 0 €           | -1.378,4 €     | -1.108,6 € | 359,7 €     | -1.273,2 € |
| 12  | 0 €                                     | -68,0 €          | -991,2 €       | 109,4 €       | -949,8 €       | -748,9 €   | -1.406 €                    | 0 €           | -1.406 €       | -1.108,6 € | 359,7 €     | -913,5 €   |
| 13  | 0 €                                     | -69,3 €          | -1.011 €       | 111,6 €       | -968,8 €       | -748,9 €   | -1.434,1 €                  | 0 €           | -1.434,1 €     | -1.108,6 € | 359,7 €     | -553,8 €   |
| 14  | 0 €                                     | -70,7 €          | -1.031,3 €     | 113,8 €       | -988,2 €       | -748,9 €   | -1.462,8 €                  | 0 €           | -1.462,8 €     | -1.108,6 € | 359,7 €     | -194 €     |
| 15  | 0 €                                     | -72,1 €          | -1.051,9 €     | 116,1 €       | -1.007,9 €     | -748,9 €   | -1.492,1 €                  | 0 €           | -1.492,1 €     | -1.108,6 € | 359,7 €     | 165,6 €    |
| 16  | 0 €                                     | -73,6 €          | -1.072,9 €     | 118,4 €       | -1.028,1 €     | -748,9 €   | -1.521,9 €                  | 0 €           | -1.521,9 €     | -1.108,6 € | 359,7 €     | 525,3 €    |
| 17  | 0 €                                     | -75,1 €          | -1.094,4 €     | 120,8 €       | -1.048,7 €     | -748,9 €   | -1.552,3 €                  | 0 €           | -1.552,3 €     | -1.108,6 € | 359,7 €     | 885,0 €    |
| 18  | 0 €                                     | -76,6 €          | -1.116,3 €     | 123,2 €       | -1.069,6 €     | -748,9 €   | -1.583,4 €                  | 0 €           | -1.583,4 €     | -1.108,6 € | 359,7 €     | 1.244,7 €  |
| 19  | 0 €                                     | -78,1 €          | -1.138,6 €     | 125,7 €       | -1.091 €       | -748,9 €   | -1.615 €                    | 0 €           | -1.615 €       | -1.108,6 € | 359,7 €     | 1.604,4 €  |
| 20  | -1.102,6 €                              | -79,6 €          | -1.161,4 €     | 128,2 €       | -2.215,4 €     | -1.490,9 € | -1.647,3 €                  | 0 €           | -1.647,3 €     | -1.108,6 € | -382,3 €    | 1.222,1 €  |
| 21  | 0 €                                     | -81,2 €          | -1.184,6 €     | 130,7 €       | -1.135,1 €     | -748,9 €   | -1.680,3 €                  | 0 €           | -1.680,3 €     | -1.108,6 € | 359,7 €     | 1.581,8 €  |
| 22  | 0 €                                     | -82,9 €          | -1.208,3 €     | 133,4 €       | -1.157,8 €     | -748,9 €   | -1.713,9 €                  | 0 €           | -1.713,9 €     | -1.108,6 € | 359,7 €     | 1.941,5 €  |
| 23  | 0 €                                     | -84,5 €          | -1.232,5 €     | 136 €         | -1.181 €       | -748,9 €   | -1.748,2 €                  | 0 €           | -1.748,2 €     | -1.108,6 € | 359,7 €     | 2.301,2 €  |
| 24  | 0 €                                     | -86,2 €          | -1.257,1 €     | 138,7 €       | -1.204,6 €     | -748,9 €   | -1.783,1 €                  | 0 €           | -1.783,1 €     | -1.108,6 € | 359,7 €     | 2.660,9 €  |
| 25  | 608,7 €                                 | -87,9 €          | -1.282,2 €     | 141,5 €       | -620 €         | -377,9 €   | -1.818,8 €                  | 0 €           | -1.818,8 €     | -1.108,6 € | 730,7 €     | 3.391,6 €  |

VAN 24.323,6 €

PAYBACK 14 años

AHORRO 3.391,6 €

LCOE 0,2 €/kWh

### 52.Instalación +30° inclinación paneles Zaragoza

| AÑO | INSTALACION AUTOCONSUMO CONECTADA A RED |                  |                |               |                |            | INSTALACION SIN AUTOCONSUMO |               |                |            | COMPARATIVA |            |
|-----|-----------------------------------------|------------------|----------------|---------------|----------------|------------|-----------------------------|---------------|----------------|------------|-------------|------------|
|     | COSTES INSTALACION                      | C, MANTENIMIENTO | COMPRA ENERGIA | VENTA ENERGIA | FLUJOS DE CAJA | VAN        | COMPRA ENERGIA              | VENTA ENERGIA | FLUJOS DE CAJA | VAN        | AHORRO      | BALANCE    |
| 0   | -4.487,9 €                              | 0 €              | 0 €            | 0 €           | -4.487,9 €     | -4.487,9 € | 0 €                         | 0 €           | 0 €            | 0 €        | -4.487,9 €  | -4.487,9 € |
| 1   | 0 €                                     | -54,7 €          | -782,8 €       | 91,1 €        | -746,4 €       | -731,8 €   | -1.130,8 €                  | 0 €           | -1.130,8 €     | -1.108,6 € | 376,8 €     | -4.111,1 € |
| 2   | 0 €                                     | -55,8 €          | -798,4 €       | 92,9 €        | -761,3 €       | -731,8 €   | -1.153,4 €                  | 0 €           | -1.153,4 €     | -1.108,6 € | 376,8 €     | -3.734,3 € |
| 3   | 0 €                                     | -56,9 €          | -814,4 €       | 94,7 €        | -776,6 €       | -731,8 €   | -1.176,5 €                  | 0 €           | -1.176,5 €     | -1.108,6 € | 376,8 €     | -3.358 €   |
| 4   | 0 €                                     | -58,0 €          | -830,7 €       | 96,6 €        | -792,1 €       | -731,8 €   | -1.200 €                    | 0 €           | -1.200 €       | -1.108,6 € | 376,8 €     | -2.980,7 € |
| 5   | 0 €                                     | -59,2 €          | -847,3 €       | 98,6 €        | -807,9 €       | -731,8 €   | -1.224 €                    | 0 €           | -1.224 €       | -1.108,6 € | 376,8 €     | -2.603,9 € |
| 6   | 0 €                                     | -60,4 €          | -864,3 €       | 100,5 €       | -824,1 €       | -731,8 €   | -1.248,5 €                  | 0 €           | -1.248,5 €     | -1.108,6 € | 376,8 €     | -2.227,1 € |
| 7   | 0 €                                     | -61,6 €          | -881,5 €       | 102,5 €       | -840,6 €       | -731,8 €   | -1.273,5 €                  | 0 €           | -1.273,5 €     | -1.108,6 € | 376,8 €     | -1.850,3 € |
| 8   | 0 €                                     | -62,8 €          | -899,2 €       | 104,6 €       | -857,4 €       | -731,8 €   | -1.298,9 €                  | 0 €           | -1.298,9 €     | -1.108,6 € | 376,8 €     | -1.474 €   |
| 9   | 0 €                                     | -64,1 €          | -917,2 €       | 106,7 €       | -874,5 €       | -731,8 €   | -1.324,9 €                  | 0 €           | -1.324,9 €     | -1.108,6 € | 376,8 €     | -1.096,7 € |
| 10  | -904,5 €                                | -65,3 €          | -935,5 €       | 108,8 €       | -1.796,5 €     | -1.473,8 € | -1.351,4 €                  | 0 €           | -1.351,4 €     | -1.108,6 € | -365,2 €    | -1.461,9 € |
| 11  | 0 €                                     | -66,6 €          | -954,2 €       | 111 €         | -909,9 €       | -731,8 €   | -1.378,4 €                  | 0 €           | -1.378,4 €     | -1.108,6 € | 376,8 €     | -1.085,1 € |
| 12  | 0 €                                     | -68,0 €          | -973,3 €       | 113,2 €       | -928,1 €       | -731,8 €   | -1.406 €                    | 0 €           | -1.406 €       | -1.108,6 € | 376,8 €     | -708,3 €   |
| 13  | 0 €                                     | -69,3 €          | -992,8 €       | 115,5 €       | -946,6 €       | -731,8 €   | -1.434,1 €                  | 0 €           | -1.434,1 €     | -1.108,6 € | 376,8 €     | -331,5 €   |
| 14  | 0 €                                     | -70,7 €          | -1.012,6 €     | 117,8 €       | -965,6 €       | -731,8 €   | -1.462,8 €                  | 0 €           | -1.462,8 €     | -1.108,6 € | 376,8 €     | 45 €       |
| 15  | 0 €                                     | -72,1 €          | -1.032,9 €     | 120,1 €       | -984,9 €       | -731,8 €   | -1.492,1 €                  | 0 €           | -1.492,1 €     | -1.108,6 € | 376,8 €     | 422,1 €    |
| 16  | 0 €                                     | -73,6 €          | -1.053,5 €     | 122,5 €       | -1.004,6 €     | -731,8 €   | -1.521,9 €                  | 0 €           | -1.521,9 €     | -1.108,6 € | 376,8 €     | 798,9 €    |
| 17  | 0 €                                     | -75,1 €          | -1.074,6 €     | 125 €         | -1.024,7 €     | -731,8 €   | -1.552,3 €                  | 0 €           | -1.552,3 €     | -1.108,6 € | 376,8 €     | 1.175,7 €  |
| 18  | 0 €                                     | -76,6 €          | -1.096,1 €     | 127,5 €       | -1.045,2 €     | -731,8 €   | -1.583,4 €                  | 0 €           | -1.583,4 €     | -1.108,6 € | 376,8 €     | 1.552,5 €  |
| 19  | 0 €                                     | -78,1 €          | -1.118 €       | 130 €         | -1.066,1 €     | -731,8 €   | -1.615 €                    | 0 €           | -1.615 €       | -1.108,6 € | 376,8 €     | 1.929,3 €  |
| 20  | -1.102,6 €                              | -79,6 €          | -1.140,4 €     | 132,6 €       | -2.190 €       | -1.473,8 € | -1.647,3 €                  | 0 €           | -1.647,3 €     | -1.108,6 € | -365,2 €    | 1.564,1 €  |
| 21  | 0 €                                     | -81,2 €          | -1.163,2 €     | 135,3 €       | -1.109,1 €     | -731,8 €   | -1.680,3 €                  | 0 €           | -1.680,3 €     | -1.108,6 € | 376,8 €     | 1.940,9 €  |
| 22  | 0 €                                     | -82,9 €          | -1.186,4 €     | 138 €         | -1.131,3 €     | -731,8 €   | -1.713,9 €                  | 0 €           | -1.713,9 €     | -1.108,6 € | 376,8 €     | 2.317,7 €  |
| 23  | 0 €                                     | -84,5 €          | -1.210,2 €     | 140,8 €       | -1.153,9 €     | -731,8 €   | -1.748,2 €                  | 0 €           | -1.748,2 €     | -1.108,6 € | 376,8 €     | 2.694,5 €  |
| 24  | 0 €                                     | -86,2 €          | -1.234,4 €     | 143,6 €       | -1.177 €       | -731,8 €   | -1.783,1 €                  | 0 €           | -1.783,1 €     | -1.108,6 € | 376,8 €     | 3.071,3 €  |
| 25  | 608,7 €                                 | -87,9 €          | -1.259,1 €     | 146,5 €       | -591,9 €       | -360,8 €   | -1.818,8 €                  | 0 €           | -1.818,8 €     | -1.108,6 € | 747,8 €     | 3.819,1 €  |

VAN 23.895 €

PAYBACK 13 años

AHORRO 3.819,1 €

LCOE 0,21 €/kWh

### 53.Instalación -10° inclinación paneles Sevilla

| AÑO | INSTALACION AUTOCONSUMO CONECTADA A RED |                  |                |               |                |            | INSTALACION SIN AUTOCONSUMO |               |                |            | COMPARATIVA |            |
|-----|-----------------------------------------|------------------|----------------|---------------|----------------|------------|-----------------------------|---------------|----------------|------------|-------------|------------|
|     | COSTES INSTALACION                      | C, MANTENIMIENTO | COMPRA ENERGIA | VENTA ENERGIA | FLUJOS DE CAJA | VAN        | COMPRA ENERGIA              | VENTA ENERGIA | FLUJOS DE CAJA | VAN        | AHORRO      | BALANCE    |
| 0   | -4.487,9 €                              | 0 €              | 0 €            | 0 €           | -4.487,9 €     | -4.487,9 € | 0 €                         | 0 €           | 0 €            | 0 €        | -4.487,9 €  | -4.487,9 € |
| 1   | 0 €                                     | -54,7 €          | -740,7 €       | 105,7 €       | -689,7 €       | -676,2 €   | -1.130,8 €                  | 0 €           | -1.130,8 €     | -1.108,6 € | 432,4 €     | -4.055,5 € |
| 2   | 0 €                                     | -55,8 €          | -755,6 €       | 107,8 €       | -703,5 €       | -676,2 €   | -1.153,4 €                  | 0 €           | -1.153,4 €     | -1.108,6 € | 432,4 €     | -3.623,1 € |
| 3   | 0 €                                     | -56,9 €          | -770,7 €       | 110 €         | -717,6 €       | -676,2 €   | -1.176,5 €                  | 0 €           | -1.176,5 €     | -1.108,6 € | 432,4 €     | -3.191 €   |
| 4   | 0 €                                     | -58,0 €          | -786,1 €       | 112,2 €       | -731,9 €       | -676,2 €   | -1.200 €                    | 0 €           | -1.200 €       | -1.108,6 € | 432,4 €     | -2.758,3 € |
| 5   | 0 €                                     | -59 €            | -801,8 €       | 114,4 €       | -746,6 €       | -676,2 €   | -1.224 €                    | 0 €           | -1.224 €       | -1.108,6 € | 432,4 €     | -2.325,9 € |
| 6   | 0 €                                     | -60,4 €          | -817,8 €       | 116,7 €       | -761,5 €       | -676,2 €   | -1.248,5 €                  | 0 €           | -1.248,5 €     | -1.108,6 € | 432,4 €     | -1.893,5 € |
| 7   | 0 €                                     | -61,6 €          | -834,2 €       | 119 €         | -776,7 €       | -676,2 €   | -1.273,5 €                  | 0 €           | -1.273,5 €     | -1.108,6 € | 432,4 €     | -1.461,1 € |
| 8   | 0 €                                     | -62,8 €          | -850,9 €       | 121,4 €       | -792,2 €       | -676,2 €   | -1.298,9 €                  | 0 €           | -1.298,9 €     | -1.108,6 € | 432,4 €     | -1.029 €   |
| 9   | 0 €                                     | -64,1 €          | -867,9 €       | 123,9 €       | -808,1 €       | -676,2 €   | -1.324,9 €                  | 0 €           | -1.324,9 €     | -1.108,6 € | 432,4 €     | -596,3 €   |
| 10  | -904,5 €                                | -65,3 €          | -885,2 €       | 126,3 €       | -1.728,7 €     | -1.418,2 € | -1.351,4 €                  | 0 €           | -1.351,4 €     | -1.108,6 € | -309,6 €    | -905,9 €   |
| 11  | 0 €                                     | -66,6 €          | -903 €         | 128,9 €       | -840,7 €       | -676,2 €   | -1.378,4 €                  | 0 €           | -1.378,4 €     | -1.108,6 € | 432,4 €     | -473,5 €   |
| 12  | 0 €                                     | -68 €            | -921 €         | 131,4 €       | -857,6 €       | -676,2 €   | -1.406 €                    | 0 €           | -1.406 €       | -1.108,6 € | 432,4 €     | -41,1 €    |
| 13  | 0 €                                     | -69,3 €          | -939,4 €       | 134,1 €       | -874,7 €       | -676,2 €   | -1.434,1 €                  | 0 €           | -1.434,1 €     | -1.108,6 € | 432,4 €     | 391,3 €    |
| 14  | 0 €                                     | -70,7 €          | -958,2 €       | 136,7 €       | -892,2 €       | -676,2 €   | -1.462,8 €                  | 0 €           | -1.462,8 €     | -1.108,6 € | 432,4 €     | 824 €      |
| 15  | 0 €                                     | -72,1 €          | -977,4 €       | 139,5 €       | -910 €         | -676,2 €   | -1.492,1 €                  | 0 €           | -1.492,1 €     | -1.108,6 € | 432,4 €     | 1.256,1 €  |
| 16  | 0 €                                     | -73,6 €          | -996,9 €       | 142,3 €       | -928,2 €       | -676,2 €   | -1.521,9 €                  | 0 €           | -1.521,9 €     | -1.108,6 € | 432,4 €     | 1.688,5 €  |
| 17  | 0 €                                     | -75,1 €          | -1.016,9 €     | 145,1 €       | -946,8 €       | -676,2 €   | -1.552,3 €                  | 0 €           | -1.552,3 €     | -1.108,6 € | 432,4 €     | 2.120,9 €  |
| 18  | 0 €                                     | -76,6 €          | -1.037,2 €     | 148 €         | -965,7 €       | -676,2 €   | -1.583,4 €                  | 0 €           | -1.583,4 €     | -1.108,6 € | 432,4 €     | 2.553,3 €  |
| 19  | 0 €                                     | -78,1 €          | -1.058 €       | 151 €         | -985,1 €       | -676,2 €   | -1.615 €                    | 0 €           | -1.615 €       | -1.108,6 € | 432,4 €     | 2.985,7 €  |
| 20  | -1.102,6 €                              | -79,6 €          | -1.079,1 €     | 154 €         | -2.107,3 €     | -1.418,2 € | -1.647,3 €                  | 0 €           | -1.647,3 €     | -1.108,6 € | -309,6 €    | 2.676,1 €  |
| 21  | 0 €                                     | -81,2 €          | -1.100,7 €     | 157,1 €       | -1.024,9 €     | -676,2 €   | -1.680,3 €                  | 0 €           | -1.680,3 €     | -1.108,6 € | 432,4 €     | 3.108,5 €  |
| 22  | 0 €                                     | -82,9 €          | -1.122,7 €     | 160,2 €       | -1.045,4 €     | -676,2 €   | -1.713,9 €                  | 0 €           | -1.713,9 €     | -1.108,6 € | 432,4 €     | 3.540,9 €  |
| 23  | 0 €                                     | -84,5 €          | -1.145,2 €     | 163,4 €       | -1.066,3 €     | -676,2 €   | -1.748,2 €                  | 0 €           | -1.748,2 €     | -1.108,6 € | 432,4 €     | 3.973,3 €  |
| 24  | 0 €                                     | -86,2 €          | -1.168,1 €     | 166,7 €       | -1.087,6 €     | -676,2 €   | -1.783,1 €                  | 0 €           | -1.783,1 €     | -1.108,6 € | 432,4 €     | 4.405,7 €  |
| 25  | 608,7 €                                 | -87,9 €          | -1.191,4 €     | 170 €         | -500,7 €       | -305,2 €   | -1.818,8 €                  | 0 €           | -1.818,8 €     | -1.108,6 € | 803,4 €     | 5.209,1 €  |

VAN 22.505,3 €

PAYBACK 12 años

AHORRO 5.209,1 €

LCOE 0,19 €/kWh

### 54. Instalación +10º inclinación paneles Sevilla

| AÑO | INSTALACION AUTOCONSUMO CONECTADA A RED |                  |                |               |                |            | INSTALACION SIN AUTOCONSUMO |               |                |            | COMPARATIVA |            |
|-----|-----------------------------------------|------------------|----------------|---------------|----------------|------------|-----------------------------|---------------|----------------|------------|-------------|------------|
|     | COSTES INSTALACION                      | C, MANTENIMIENTO | COMPRA ENERGIA | VENTA ENERGIA | FLUJOS DE CAJA | VAN        | COMPRA ENERGIA              | VENTA ENERGIA | FLUJOS DE CAJA | VAN        | AHORRO      | BALANCE    |
| 0   | -4.487,9 €                              | 0 €              | 0 €            | 0 €           | -4.487,9 €     | -4.487,9 € | 0 €                         | 0 €           | 0 €            | 0 €        | -4.487,9 €  | -4.487,9 € |
| 1   | 0 €                                     | -54,7 €          | -744,2 €       | 106,1 €       | -692,8 €       | -679,2 €   | -1.130,8 €                  | 0 €           | -1.130,8 €     | -1.108,6 € | 429,4 €     | -4.058,5 € |
| 2   | 0 €                                     | -55,8 €          | -759,1 €       | 108,2 €       | -706,6 €       | -679,2 €   | -1.153,4 €                  | 0 €           | -1.153,4 €     | -1.108,6 € | 429,4 €     | -3.629,1 € |
| 3   | 0 €                                     | -56,9 €          | -774,3 €       | 110,4 €       | -720,7 €       | -679,2 €   | -1.176,5 €                  | 0 €           | -1.176,5 €     | -1.108,6 € | 429,4 €     | -3.200 €   |
| 4   | 0 €                                     | -58,0 €          | -789,7 €       | 112,6 €       | -735,2 €       | -679,2 €   | -1.200 €                    | 0 €           | -1.200 €       | -1.108,6 € | 429,4 €     | -2.770,3 € |
| 5   | 0 €                                     | -59 €            | -805,5 €       | 114,8 €       | -749,9 €       | -679,2 €   | -1.224 €                    | 0 €           | -1.224 €       | -1.108,6 € | 429,4 €     | -2.340,9 € |
| 6   | 0 €                                     | -60,4 €          | -821,6 €       | 117,1 €       | -764,9 €       | -679,2 €   | -1.248,5 €                  | 0 €           | -1.248,5 €     | -1.108,6 € | 429,4 €     | -1.911,5 € |
| 7   | 0 €                                     | -61,6 €          | -838,1 €       | 119,5 €       | -780,2 €       | -679,2 €   | -1.273,5 €                  | 0 €           | -1.273,5 €     | -1.108,6 € | 429,4 €     | -1.482,1 € |
| 8   | 0 €                                     | -62,8 €          | -854,8 €       | 121,9 €       | -795,8 €       | -679,2 €   | -1.298,9 €                  | 0 €           | -1.298,9 €     | -1.108,6 € | 429,4 €     | -1.053 €   |
| 9   | 0 €                                     | -64,1 €          | -871,9 €       | 124,3 €       | -811,7 €       | -679,2 €   | -1.324,9 €                  | 0 €           | -1.324,9 €     | -1.108,6 € | 429,4 €     | -623,3 €   |
| 10  | -904,5 €                                | -65,3 €          | -889,4 €       | 126,8 €       | -1.732,4 €     | -1.421,2 € | -1.351,4 €                  | 0 €           | -1.351,4 €     | -1.108,6 € | -312,6 €    | -935,9 €   |
| 11  | 0 €                                     | -66,6 €          | -907,2 €       | 129,3 €       | -844,5 €       | -679,2 €   | -1.378,4 €                  | 0 €           | -1.378,4 €     | -1.108,6 € | 429,4 €     | -506,5 €   |
| 12  | 0 €                                     | -68 €            | -925,3 €       | 131,9 €       | -861,4 €       | -679,2 €   | -1.406 €                    | 0 €           | -1.406 €       | -1.108,6 € | 429,4 €     | -77,1 €    |
| 13  | 0 €                                     | -69,3 €          | -943,8 €       | 134,6 €       | -878,6 €       | -679,2 €   | -1.434,1 €                  | 0 €           | -1.434,1 €     | -1.108,6 € | 429,4 €     | 352,3 €    |
| 14  | 0 €                                     | -70,7 €          | -962,7 €       | 137,3 €       | -896,2 €       | -679,2 €   | -1.462,8 €                  | 0 €           | -1.462,8 €     | -1.108,6 € | 429,4 €     | 782 €      |
| 15  | 0 €                                     | -72,1 €          | -981,9 €       | 140 €         | -914,1 €       | -679,2 €   | -1.492,1 €                  | 0 €           | -1.492,1 €     | -1.108,6 € | 429,4 €     | 1.211,1 €  |
| 16  | 0 €                                     | -73,6 €          | -1.001,6 €     | 142,8 €       | -932,4 €       | -679,2 €   | -1.521,9 €                  | 0 €           | -1.521,9 €     | -1.108,6 € | 429,4 €     | 1.640,5 €  |
| 17  | 0 €                                     | -75,1 €          | -1.021,6 €     | 145,7 €       | -951 €         | -679,2 €   | -1.552,3 €                  | 0 €           | -1.552,3 €     | -1.108,6 € | 429,4 €     | 2.069,9 €  |
| 18  | 0 €                                     | -76,6 €          | -1.042 €       | 148,6 €       | -970 €         | -679,2 €   | -1.583,4 €                  | 0 €           | -1.583,4 €     | -1.108,6 € | 429,4 €     | 2.499,3 €  |
| 19  | 0 €                                     | -78,1 €          | -1.062,9 €     | 151,5 €       | -989,4 €       | -679,2 €   | -1.615 €                    | 0 €           | -1.615 €       | -1.108,6 € | 429,4 €     | 2.928,7 €  |
| 20  | -1.102,6 €                              | -79,6 €          | -1.084,1 €     | 154,6 €       | -2.111,8 €     | -1.421,2 € | -1.647,3 €                  | 0 €           | -1.647,3 €     | -1.108,6 € | -312,6 €    | 2.616,1 €  |
| 21  | 0 €                                     | -81,2 €          | -1.105,8 €     | 157,7 €       | -1.029,4 €     | -679,2 €   | -1.680,3 €                  | 0 €           | -1.680,3 €     | -1.108,6 € | 429,4 €     | 3.045,5 €  |
| 22  | 0 €                                     | -82,9 €          | -1.127,9 €     | 160,8 €       | -1.050 €       | -679,2 €   | -1.713,9 €                  | 0 €           | -1.713,9 €     | -1.108,6 € | 429,4 €     | 3.474,9 €  |
| 23  | 0 €                                     | -84,5 €          | -1.150,5 €     | 164 €         | -1.071 €       | -679,2 €   | -1.748,2 €                  | 0 €           | -1.748,2 €     | -1.108,6 € | 429,4 €     | 3.904,3 €  |
| 24  | 0 €                                     | -86,2 €          | -1.173,5 €     | 167,3 €       | -1.092,4 €     | -679,2 €   | -1.783,1 €                  | 0 €           | -1.783,1 €     | -1.108,6 € | 429,4 €     | 4.333,7 €  |
| 25  | 608,7 €                                 | -87,9 €          | -1.197 €       | 170,7 €       | -505,6 €       | -308,2 €   | -1.818,8 €                  | 0 €           | -1.818,8 €     | -1.108,6 € | 800,4 €     | 5.134,1 €  |

VAN 22.580,2 €

PAYBACK 12 años

AHORRO 5.134,1 €

LCOE 0,19 €/kWh

**55.Instalación -20° inclinación paneles Sevilla**

| AÑO | INSTALACION AUTOCONSUMO CONECTADA A RED |                  |                |               |                |            | INSTALACION SIN AUTOCONSUMO |               |                |            | COMPARATIVA |            |
|-----|-----------------------------------------|------------------|----------------|---------------|----------------|------------|-----------------------------|---------------|----------------|------------|-------------|------------|
|     | COSTES INSTALACION                      | C, MANTENIMIENTO | COMPRA ENERGIA | VENTA ENERGIA | FLUJOS DE CAJA | VAN        | COMPRA ENERGIA              | VENTA ENERGIA | FLUJOS DE CAJA | VAN        | AHORRO      | BALANCE    |
| 0   | -4.487,9 €                              | 0 €              | 0 €            | 0 €           | -4.487,9 €     | -4.487,9 € | 0 €                         | 0 €           | 0 €            | 0 €        | -4.487,9 €  | -4.487,9 € |
| 1   | 0 €                                     | -54,7 €          | -745 €         | 99,9 €        | -699,8 €       | -686,1 €   | -1.130,8 €                  | 0 €           | -1.130,8 €     | -1.108,6 € | 422,5 €     | -4.065,4 € |
| 2   | 0 €                                     | -55,8 €          | -759,9 €       | 101,9 €       | -713,8 €       | -686,1 €   | -1.153,4 €                  | 0 €           | -1.153,4 €     | -1.108,6 € | 422,5 €     | -3.642,9 € |
| 3   | 0 €                                     | -56,9 €          | -775,1 €       | 103,9 €       | -728,1 €       | -686,1 €   | -1.176,5 €                  | 0 €           | -1.176,5 €     | -1.108,6 € | 422,5 €     | -3.220 €   |
| 4   | 0 €                                     | -58,0 €          | -790,6 €       | 106 €         | -742,6 €       | -686,1 €   | -1.200 €                    | 0 €           | -1.200 €       | -1.108,6 € | 422,5 €     | -2.797,9 € |
| 5   | 0 €                                     | -59 €            | -806,4 €       | 108,1 €       | -757,5 €       | -686,1 €   | -1.224 €                    | 0 €           | -1.224 €       | -1.108,6 € | 422,5 €     | -2.375,4 € |
| 6   | 0 €                                     | -60,4 €          | -822,5 €       | 110,2 €       | -772,6 €       | -686,1 €   | -1.248,5 €                  | 0 €           | -1.248,5 €     | -1.108,6 € | 422,5 €     | -1.952,9 € |
| 7   | 0 €                                     | -61,6 €          | -839 €         | 112,5 €       | -788,1 €       | -686,1 €   | -1.273,5 €                  | 0 €           | -1.273,5 €     | -1.108,6 € | 422,5 €     | -1.530,4 € |
| 8   | 0 €                                     | -62,8 €          | -855,7 €       | 114,7 €       | -803,8 €       | -686,1 €   | -1.298,9 €                  | 0 €           | -1.298,9 €     | -1.108,6 € | 422,5 €     | -1.108 €   |
| 9   | 0 €                                     | -64,1 €          | -872,8 €       | 117 €         | -819,9 €       | -686,1 €   | -1.324,9 €                  | 0 €           | -1.324,9 €     | -1.108,6 € | 422,5 €     | -685,4 €   |
| 10  | -904,5 €                                | -65,3 €          | -890,3 €       | 119,3 €       | -1.740,8 €     | -1.428,1 € | -1.351,4 €                  | 0 €           | -1.351,4 €     | -1.108,6 € | -319,5 €    | -1.004,9 € |
| 11  | 0 €                                     | -66,6 €          | -908,1 €       | 121,7 €       | -853 €         | -686,1 €   | -1.378,4 €                  | 0 €           | -1.378,4 €     | -1.108,6 € | 422,5 €     | -582,4 €   |
| 12  | 0 €                                     | -68 €            | -926,3 €       | 124,2 €       | -870,1 €       | -686,1 €   | -1.406 €                    | 0 €           | -1.406 €       | -1.108,6 € | 422,5 €     | -159,9 €   |
| 13  | 0 €                                     | -69,3 €          | -944,8 €       | 126,6 €       | -887,5 €       | -686,1 €   | -1.434,1 €                  | 0 €           | -1.434,1 €     | -1.108,6 € | 422,5 €     | 262,6 €    |
| 14  | 0 €                                     | -70,7 €          | -963,7 €       | 129,2 €       | -905,2 €       | -686,1 €   | -1.462,8 €                  | 0 €           | -1.462,8 €     | -1.108,6 € | 422,5 €     | 685 €      |
| 15  | 0 €                                     | -72,1 €          | -983 €         | 131,8 €       | -923,4 €       | -686,1 €   | -1.492,1 €                  | 0 €           | -1.492,1 €     | -1.108,6 € | 422,5 €     | 1.107,6 €  |
| 16  | 0 €                                     | -73,6 €          | -1.002,6 €     | 134,4 €       | -941,8 €       | -686,1 €   | -1.521,9 €                  | 0 €           | -1.521,9 €     | -1.108,6 € | 422,5 €     | 1.530,1 €  |
| 17  | 0 €                                     | -75,1 €          | -1.022,7 €     | 137,1 €       | -960,7 €       | -686,1 €   | -1.552,3 €                  | 0 €           | -1.552,3 €     | -1.108,6 € | 422,5 €     | 1.952,6 €  |
| 18  | 0 €                                     | -76,6 €          | -1.043,1 €     | 139,8 €       | -979,9 €       | -686,1 €   | -1.583,4 €                  | 0 €           | -1.583,4 €     | -1.108,6 € | 422,5 €     | 2.375,1 €  |
| 19  | 0 €                                     | -78,1 €          | -1.064 €       | 142,6 €       | -999,5 €       | -686,1 €   | -1.615 €                    | 0 €           | -1.615 €       | -1.108,6 € | 422,5 €     | 2.797,6 €  |
| 20  | -1.102,6 €                              | -79,6 €          | -1.085,3 €     | 145,5 €       | -2.122 €       | -1.428,1 € | -1.647,3 €                  | 0 €           | -1.647,3 €     | -1.108,6 € | -319,5 €    | 2.478,1 €  |
| 21  | 0 €                                     | -81,2 €          | -1.107 €       | 148,4 €       | -1.039,8 €     | -686,1 €   | -1.680,3 €                  | 0 €           | -1.680,3 €     | -1.108,6 € | 422,5 €     | 2.900,6 €  |
| 22  | 0 €                                     | -82,9 €          | -1.129,1 €     | 151,3 €       | -1.060,6 €     | -686,1 €   | -1.713,9 €                  | 0 €           | -1.713,9 €     | -1.108,6 € | 422,5 €     | 3.323,1 €  |
| 23  | 0 €                                     | -84,5 €          | -1.151,7 €     | 154,4 €       | -1.081,9 €     | -686,1 €   | -1.748,2 €                  | 0 €           | -1.748,2 €     | -1.108,6 € | 422,5 €     | 3.745,6 €  |
| 24  | 0 €                                     | -86,2 €          | -1.174,7 €     | 157,5 €       | -1.103,5 €     | -686,1 €   | -1.783,1 €                  | 0 €           | -1.783,1 €     | -1.108,6 € | 422,5 €     | 4.168,1 €  |
| 25  | 608,7 €                                 | -87,9 €          | -1.198,2 €     | 160,6 €       | -516,9 €       | -315,1 €   | -1.818,8 €                  | 0 €           | -1.818,8 €     | -1.108,6 € | 793,5 €     | 4.961,6 €  |

VAN 22.752,5 €

PAYBACK 12 años

AHORRO 4.961,6 €

LCOE 0,19 €/kWh

**56.Instalación +20º inclinación paneles Sevilla**

| AÑO | INSTALACION AUTOCONSUMO CONECTADA A RED |                  |                |               |                |            | INSTALACION SIN AUTOCONSUMO |               |                |            | COMPARATIVA |            |
|-----|-----------------------------------------|------------------|----------------|---------------|----------------|------------|-----------------------------|---------------|----------------|------------|-------------|------------|
|     | COSTES INSTALACION                      | C, MANTENIMIENTO | COMPRA ENERGIA | VENTA ENERGIA | FLUJOS DE CAJA | VAN        | COMPRA ENERGIA              | VENTA ENERGIA | FLUJOS DE CAJA | VAN        | AHORRO      | BALANCE    |
| 0   | -4.487,9 €                              | 0 €              | 0 €            | 0 €           | -4.487,9 €     | -4.487,9 € | 0 €                         | 0 €           | 0 €            | 0 €        | -4.487,9 €  | -4.487,9 € |
| 1   | 0 €                                     | -54,7 €          | -751,3 €       | 100,5 €       | -705,5 €       | -691,6 €   | -1.130,8 €                  | 0 €           | -1.130,8 €     | -1.108,6 € | 417,0 €     | -4.070,9 € |
| 2   | 0 €                                     | -55,8 €          | -766,3 €       | 102,5 €       | -719,6 €       | -691,6 €   | -1.153,4 €                  | 0 €           | -1.153,4 €     | -1.108,6 € | 417,0 €     | -3.653,9 € |
| 3   | 0 €                                     | -56,9 €          | -781,7 €       | 104,6 €       | -734 €         | -691,6 €   | -1.176,5 €                  | 0 €           | -1.176,5 €     | -1.108,6 € | 417,0 €     | -3.237 €   |
| 4   | 0 €                                     | -58,0 €          | -797,3 €       | 106,7 €       | -748,7 €       | -691,6 €   | -1.200 €                    | 0 €           | -1.200 €       | -1.108,6 € | 417,0 €     | -2.819,9 € |
| 5   | 0 €                                     | -59 €            | -813,3 €       | 108,8 €       | -763,6 €       | -691,6 €   | -1.224 €                    | 0 €           | -1.224 €       | -1.108,6 € | 417,0 €     | -2.402,9 € |
| 6   | 0 €                                     | -60,4 €          | -829,5 €       | 111 €         | -778,9 €       | -691,6 €   | -1.248,5 €                  | 0 €           | -1.248,5 €     | -1.108,6 € | 417,0 €     | -1.985,9 € |
| 7   | 0 €                                     | -61,6 €          | -846,1 €       | 113,2 €       | -794,5 €       | -691,6 €   | -1.273,5 €                  | 0 €           | -1.273,5 €     | -1.108,6 € | 417,0 €     | -1.568,9 € |
| 8   | 0 €                                     | -62,8 €          | -863 €         | 115,5 €       | -810,4 €       | -691,6 €   | -1.298,9 €                  | 0 €           | -1.298,9 €     | -1.108,6 € | 417,0 €     | -1.152 €   |
| 9   | 0 €                                     | -64,1 €          | -880,3 €       | 117,8 €       | -826,6 €       | -691,6 €   | -1.324,9 €                  | 0 €           | -1.324,9 €     | -1.108,6 € | 417,0 €     | -734,9 €   |
| 10  | -904,5 €                                | -65,3 €          | -897,9 €       | 120,1 €       | -1.747,6 €     | -1.433,6 € | -1.351,4 €                  | 0 €           | -1.351,4 €     | -1.108,6 € | -325,0 €    | -1.059,9 € |
| 11  | 0 €                                     | -66,6 €          | -915,9 €       | 122,5 €       | -860 €         | -691,6 €   | -1.378,4 €                  | 0 €           | -1.378,4 €     | -1.108,6 € | 417,0 €     | -642,9 €   |
| 12  | 0 €                                     | -68 €            | -934,2 €       | 125 €         | -877,2 €       | -691,6 €   | -1.406 €                    | 0 €           | -1.406 €       | -1.108,6 € | 417,0 €     | -225,9 €   |
| 13  | 0 €                                     | -69,3 €          | -952,9 €       | 127,5 €       | -894,7 €       | -691,6 €   | -1.434,1 €                  | 0 €           | -1.434,1 €     | -1.108,6 € | 417,0 €     | 191,1 €    |
| 14  | 0 €                                     | -70,7 €          | -971,9 €       | 130 €         | -912,6 €       | -691,6 €   | -1.462,8 €                  | 0 €           | -1.462,8 €     | -1.108,6 € | 417,0 €     | 608 €      |
| 15  | 0 €                                     | -72,1 €          | -991,3 €       | 132,6 €       | -930,9 €       | -691,6 €   | -1.492,1 €                  | 0 €           | -1.492,1 €     | -1.108,6 € | 417,0 €     | 1.025,1 €  |
| 16  | 0 €                                     | -73,6 €          | -1.011,2 €     | 135,3 €       | -949,5 €       | -691,6 €   | -1.521,9 €                  | 0 €           | -1.521,9 €     | -1.108,6 € | 417,0 €     | 1.442,1 €  |
| 17  | 0 €                                     | -75,1 €          | -1.031,4 €     | 138 €         | -968,5 €       | -691,6 €   | -1.552,3 €                  | 0 €           | -1.552,3 €     | -1.108,6 € | 417,0 €     | 1.859,1 €  |
| 18  | 0 €                                     | -76,6 €          | -1.052 €       | 140,7 €       | -987,8 €       | -691,6 €   | -1.583,4 €                  | 0 €           | -1.583,4 €     | -1.108,6 € | 417,0 €     | 2.276,1 €  |
| 19  | 0 €                                     | -78,1 €          | -1.073,1 €     | 143,6 €       | -1.007,6 €     | -691,6 €   | -1.615 €                    | 0 €           | -1.615 €       | -1.108,6 € | 417,0 €     | 2.693,1 €  |
| 20  | -1.102,6 €                              | -79,6 €          | -1.094,5 €     | 146,4 €       | -2.130,3 €     | -1.433,6 € | -1.647,3 €                  | 0 €           | -1.647,3 €     | -1.108,6 € | -325,0 €    | 2.368,1 €  |
| 21  | 0 €                                     | -81,2 €          | -1.116,4 €     | 149,4 €       | -1.048,3 €     | -691,6 €   | -1.680,3 €                  | 0 €           | -1.680,3 €     | -1.108,6 € | 417,0 €     | 2.785,1 €  |
| 22  | 0 €                                     | -82,9 €          | -1.138,7 €     | 152,3 €       | -1.069,3 €     | -691,6 €   | -1.713,9 €                  | 0 €           | -1.713,9 €     | -1.108,6 € | 417,0 €     | 3.202,1 €  |
| 23  | 0 €                                     | -84,5 €          | -1.161,5 €     | 155,4 €       | -1.090,7 €     | -691,6 €   | -1.748,2 €                  | 0 €           | -1.748,2 €     | -1.108,6 € | 417,0 €     | 3.619,1 €  |
| 24  | 0 €                                     | -86,2 €          | -1.184,8 €     | 158,5 €       | -1.112,5 €     | -691,6 €   | -1.783,1 €                  | 0 €           | -1.783,1 €     | -1.108,6 € | 417,0 €     | 4.036,1 €  |
| 25  | 608,7 €                                 | -87,9 €          | -1.208,5 €     | 161,7 €       | -526,1 €       | -320,6 €   | -1.818,8 €                  | 0 €           | -1.818,8 €     | -1.108,6 € | 788,0 €     | 4.824,1 €  |

VAN 22.892 €

PAYBACK 12 años

AHORRO 4.824,1 €

LCOE 0,19 €/kWh

### 57. Instalación -30° inclinación paneles Sevilla

| AÑO | INSTALACION AUTOCONSUMO CONECTADA A RED |                  |                |               |                |            | COMPRA ENERGIA |               |                |            | COMPARATIVA |            |
|-----|-----------------------------------------|------------------|----------------|---------------|----------------|------------|----------------|---------------|----------------|------------|-------------|------------|
|     | COSTES INSTALACION                      | C, MANTENIMIENTO | COMPRA ENERGIA | VENTA ENERGIA | FLUJOS DE CAJA | VAN        | COMPRA ENERGIA | VENTA ENERGIA | FLUJOS DE CAJA | VAN        | AHORRO      | BALANCE    |
| 0   | -4.487,9 €                              | 0 €              | 0 €            | 0 €           | -4.487,9 €     | -4.487,9 € | 0 €            | 0 €           | 0 €            | 0 €        | -4.487,9 €  | -4.487,9 € |
| 1   | 0 €                                     | -54,7 €          | -755,5 €       | 90,9 €        | -719,3 €       | -705,2 €   | -1.130,8 €     | 0 €           | -1.130,8 €     | -1.108,6 € | 403,4 €     | -4.084,5 € |
| 2   | 0 €                                     | -55,8 €          | -770,6 €       | 92,7 €        | -733,6 €       | -705,2 €   | -1.153,4 €     | 0 €           | -1.153,4 €     | -1.108,6 € | 403,4 €     | -3.681,1 € |
| 3   | 0 €                                     | -56,9 €          | -786 €         | 94,6 €        | -748,3 €       | -705,2 €   | -1.176,5 €     | 0 €           | -1.176,5 €     | -1.108,6 € | 403,4 €     | -3.278 €   |
| 4   | 0 €                                     | -58,0 €          | -802 €         | 96,5 €        | -763,3 €       | -705,2 €   | -1.200 €       | 0 €           | -1.200 €       | -1.108,6 € | 403,4 €     | -2.874,3 € |
| 5   | 0 €                                     | -59 €            | -817,8 €       | 98,4 €        | -778,6 €       | -705,2 €   | -1.224 €       | 0 €           | -1.224 €       | -1.108,6 € | 403,4 €     | -2.470,9 € |
| 6   | 0 €                                     | -60,4 €          | -834,1 €       | 100,4 €       | -794,1 €       | -705,2 €   | -1.248,5 €     | 0 €           | -1.248,5 €     | -1.108,6 € | 403,4 €     | -2.067,5 € |
| 7   | 0 €                                     | -61,6 €          | -850,8 €       | 102,4 €       | -810 €         | -705,2 €   | -1.273,5 €     | 0 €           | -1.273,5 €     | -1.108,6 € | 403,4 €     | -1.664,1 € |
| 8   | 0 €                                     | -62,8 €          | -867,8 €       | 104,4 €       | -826,2 €       | -705,2 €   | -1.298,9 €     | 0 €           | -1.298,9 €     | -1.108,6 € | 403,4 €     | -1.261 €   |
| 9   | 0 €                                     | -64,1 €          | -885,2 €       | 106,5 €       | -842,7 €       | -705,2 €   | -1.324,9 €     | 0 €           | -1.324,9 €     | -1.108,6 € | 403,4 €     | -857,3 €   |
| 10  | -904,5 €                                | -65,3 €          | -902,9 €       | 108,6 €       | -1.764,1 €     | -1.447,2 € | -1.351,4 €     | 0 €           | -1.351,4 €     | -1.108,6 € | -338,6 €    | -1.195,9 € |
| 11  | 0 €                                     | -66,6 €          | -920,9 €       | 110,8 €       | -876,8 €       | -705,2 €   | -1.378,4 €     | 0 €           | -1.378,4 €     | -1.108,6 € | 403,4 €     | -792,5 €   |
| 12  | 0 €                                     | -68 €            | -939,4 €       | 113 €         | -894,3 €       | -705,2 €   | -1.406 €       | 0 €           | -1.406 €       | -1.108,6 € | 403,4 €     | -389,1 €   |
| 13  | 0 €                                     | -69,3 €          | -958,1 €       | 115,3 €       | -912,2 €       | -705,2 €   | -1.434,1 €     | 0 €           | -1.434,1 €     | -1.108,6 € | 403,4 €     | 14,3 €     |
| 14  | 0 €                                     | -70,7 €          | -977,3 €       | 117,6 €       | -930,4 €       | -705,2 €   | -1.462,8 €     | 0 €           | -1.462,8 €     | -1.108,6 € | 403,4 €     | 418 €      |
| 15  | 0 €                                     | -72,1 €          | -996,8 €       | 119,9 €       | -949 €         | -705,2 €   | -1.492,1 €     | 0 €           | -1.492,1 €     | -1.108,6 € | 403,4 €     | 821,1 €    |
| 16  | 0 €                                     | -73,6 €          | -1.016,8 €     | 122,3 €       | -968 €         | -705,2 €   | -1.521,9 €     | 0 €           | -1.521,9 €     | -1.108,6 € | 403,4 €     | 1.224,5 €  |
| 17  | 0 €                                     | -75,1 €          | -1.037,1 €     | 124,8 €       | -987,4 €       | -705,2 €   | -1.552,3 €     | 0 €           | -1.552,3 €     | -1.108,6 € | 403,4 €     | 1.627,9 €  |
| 18  | 0 €                                     | -76,6 €          | -1.057,9 €     | 127,3 €       | -1.007,1 €     | -705,2 €   | -1.583,4 €     | 0 €           | -1.583,4 €     | -1.108,6 € | 403,4 €     | 2.031,3 €  |
| 19  | 0 €                                     | -78,1 €          | -1.079 €       | 129,8 €       | -1.027,3 €     | -705,2 €   | -1.615 €       | 0 €           | -1.615 €       | -1.108,6 € | 403,4 €     | 2.434,7 €  |
| 20  | -1.102,6 €                              | -79,6 €          | -1.101 €       | 132,4 €       | -2.150,4 €     | -1.447,2 € | -1.647,3 €     | 0 €           | -1.647,3 €     | -1.108,6 € | -338,6 €    | 2.096,1 €  |
| 21  | 0 €                                     | -81,2 €          | -1.122,6 €     | 135,1 €       | -1.068,8 €     | -705,2 €   | -1.680,3 €     | 0 €           | -1.680,3 €     | -1.108,6 € | 403,4 €     | 2.499,5 €  |
| 22  | 0 €                                     | -82,9 €          | -1.145,1 €     | 137,8 €       | -1.090,2 €     | -705,2 €   | -1.713,9 €     | 0 €           | -1.713,9 €     | -1.108,6 € | 403,4 €     | 2.902,9 €  |
| 23  | 0 €                                     | -84,5 €          | -1.168 €       | 140,5 €       | -1.112 €       | -705,2 €   | -1.748,2 €     | 0 €           | -1.748,2 €     | -1.108,6 € | 403,4 €     | 3.306,3 €  |
| 24  | 0 €                                     | -86,2 €          | -1.191,3 €     | 143,3 €       | -1.134,2 €     | -705,2 €   | -1.783,1 €     | 0 €           | -1.783,1 €     | -1.108,6 € | 403,4 €     | 3.709,7 €  |
| 25  | 608,7 €                                 | -87,9 €          | -1.215,1 €     | 146,2 €       | -548,2 €       | -334,2 €   | -1.818,8 €     | 0 €           | -1.818,8 €     | -1.108,6 € | 774,4 €     | 4.484,1 €  |

VAN 23.229,8 €

PAYBACK 12 años

AHORRO 4.484,1 €

LCOE 0,2 €/kWh

### 58. Instalación +30° inclinación paneles Sevilla

| AÑO | INSTALACION AUTOCONSUMO CONECTADA A RED |                  |                |               |                |            | COMPRA ENERGIA |               |                |            | COMPARATIVA |            |
|-----|-----------------------------------------|------------------|----------------|---------------|----------------|------------|----------------|---------------|----------------|------------|-------------|------------|
|     | COSTES INSTALACION                      | C, MANTENIMIENTO | COMPRA ENERGIA | VENTA ENERGIA | FLUJOS DE CAJA | VAN        | COMPRA ENERGIA | VENTA ENERGIA | FLUJOS DE CAJA | VAN        | AHORRO      | BALANCE    |
| 0   | -4.487,9 €                              | 0 €              | 0 €            | 0 €           | -4.487,9 €     | -4.487,9 € | 0 €            | 0 €           | 0 €            | 0 €        | -4.487,9 €  | -4.487,9 € |
| 1   | 0 €                                     | -54,7 €          | -763,4 €       | 91,4 €        | -726,6 €       | -712,4 €   | -1.130,8 €     | 0 €           | -1.130,8 €     | -1.108,6 € | 396,2 €     | -4.091,7 € |
| 2   | 0 €                                     | -55,8 €          | -778,6 €       | 93,3 €        | -741,1 €       | -712,4 €   | -1.153,4 €     | 0 €           | -1.153,4 €     | -1.108,6 € | 396,2 €     | -3.695,5 € |
| 3   | 0 €                                     | -56,9 €          | -794,2 €       | 95,1 €        | -756 €         | -712,4 €   | -1.176,5 €     | 0 €           | -1.176,5 €     | -1.108,6 € | 396,2 €     | -3.299 €   |
| 4   | 0 €                                     | -58,0 €          | -810,1 €       | 97 €          | -771,1 €       | -712,4 €   | -1.200 €       | 0 €           | -1.200 €       | -1.108,6 € | 396,2 €     | -2.903,1 € |
| 5   | 0 €                                     | -59 €            | -826,3 €       | 99 €          | -786,5 €       | -712,4 €   | -1.224 €       | 0 €           | -1.224 €       | -1.108,6 € | 396,2 €     | -2.506,9 € |
| 6   | 0 €                                     | -60,4 €          | -842,8 €       | 101 €         | -802,2 €       | -712,4 €   | -1.248,5 €     | 0 €           | -1.248,5 €     | -1.108,6 € | 396,2 €     | -2.110,7 € |
| 7   | 0 €                                     | -61,6 €          | -859,7 €       | 103 €         | -818,3 €       | -712,4 €   | -1.273,5 €     | 0 €           | -1.273,5 €     | -1.108,6 € | 396,2 €     | -1.714,5 € |
| 8   | 0 €                                     | -62,8 €          | -876,9 €       | 105 €         | -834,6 €       | -712,4 €   | -1.298,9 €     | 0 €           | -1.298,9 €     | -1.108,6 € | 396,2 €     | -1.318 €   |
| 9   | 0 €                                     | -64,1 €          | -894,4 €       | 107,1 €       | -851,3 €       | -712,4 €   | -1.324,9 €     | 0 €           | -1.324,9 €     | -1.108,6 € | 396,2 €     | -922,1 €   |
| 10  | -904,5 €                                | -65,3 €          | -912,3 €       | 109,3 €       | -1.772,8 €     | -1.454,4 € | -1.351,4 €     | 0 €           | -1.351,4 €     | -1.108,6 € | -345,8 €    | -1.267,9 € |
| 11  | 0 €                                     | -66,6 €          | -930,5 €       | 111,5 €       | -885,7 €       | -712,4 €   | -1.378,4 €     | 0 €           | -1.378,4 €     | -1.108,6 € | 396,2 €     | -871,7 €   |
| 12  | 0 €                                     | -68 €            | -949,2 €       | 113,7 €       | -903,4 €       | -712,4 €   | -1.406 €       | 0 €           | -1.406 €       | -1.108,6 € | 396,2 €     | -475,5 €   |
| 13  | 0 €                                     | -69,3 €          | -968,1 €       | 116,0 €       | -921,5 €       | -712,4 €   | -1.434,1 €     | 0 €           | -1.434,1 €     | -1.108,6 € | 396,2 €     | -79,3 €    |
| 14  | 0 €                                     | -70,7 €          | -987,5 €       | 118 €         | -939,9 €       | -712,4 €   | -1.462,8 €     | 0 €           | -1.462,8 €     | -1.108,6 € | 396,2 €     | 317 €      |
| 15  | 0 €                                     | -72,1 €          | -1.007,3 €     | 120,7 €       | -958,7 €       | -712,4 €   | -1.492,1 €     | 0 €           | -1.492,1 €     | -1.108,6 € | 396,2 €     | 713,1 €    |
| 16  | 0 €                                     | -73,6 €          | -1.027,4 €     | 123,1 €       | -977,9 €       | -712,4 €   | -1.521,9 €     | 0 €           | -1.521,9 €     | -1.108,6 € | 396,2 €     | 1.109,3 €  |
| 17  | 0 €                                     | -75,1 €          | -1.047,9 €     | 125,5 €       | -997,5 €       | -712,4 €   | -1.552,3 €     | 0 €           | -1.552,3 €     | -1.108,6 € | 396,2 €     | 1.505,5 €  |
| 18  | 0 €                                     | -76,6 €          | -1.068,9 €     | 128 €         | -1.017,4 €     | -712,4 €   | -1.583,4 €     | 0 €           | -1.583,4 €     | -1.108,6 € | 396,2 €     | 1.901,7 €  |
| 19  | 0 €                                     | -78,1 €          | -1.090,3 €     | 130,6 €       | -1.037,8 €     | -712,4 €   | -1.615 €       | 0 €           | -1.615 €       | -1.108,6 € | 396,2 €     | 2.297,9 €  |
| 20  | -1.102,6 €                              | -79,6 €          | -1.112,1 €     | 133,2 €       | -2.161,1 €     | -1.454,4 € | -1.647,3 €     | 0 €           | -1.647,3 €     | -1.108,6 € | -345,8 €    | 1.952,1 €  |
| 21  | 0 €                                     | -81,2 €          | -1.134,3 €     | 135,9 €       | -1.079,7 €     | -712,4 €   | -1.680,3 €     | 0 €           | -1.680,3 €     | -1.108,6 € | 396,2 €     | 2.348,3 €  |
| 22  | 0 €                                     | -82,9 €          | -1.157 €       | 138,6 €       | -1.101,3 €     | -712,4 €   | -1.713,9 €     | 0 €           | -1.713,9 €     | -1.108,6 € | 396,2 €     | 2.744,5 €  |
| 23  | 0 €                                     | -84,5 €          | -1.180,2 €     | 141,4 €       | -1.123,3 €     | -712,4 €   | -1.748,2 €     | 0 €           | -1.748,2 €     | -1.108,6 € | 396,2 €     | 3.140,7 €  |
| 24  | 0 €                                     | -86,2 €          | -1.203,8 €     | 144,2 €       | -1.145,8 €     | -712,4 €   | -1.783,1 €     | 0 €           | -1.783,1 €     | -1.108,6 € | 396,2 €     | 3.536,9 €  |
| 25  | 608,7 €                                 | -87,9 €          | -1.227,8 €     | 147,1 €       | -560 €         | -341,4 €   | -1.818,8 €     | 0 €           | -1.818,8 €     | -1.108,6 € | 767,2 €     | 4.304,1 €  |

VAN 23.409,7 €

PAYBACK 13 años

AHORRO 4.304,1 €

LCOE 0,2 €/kWh

**59. Instalación -10º inclinación paneles Bilbao**

| AÑO | INSTALACION AUTOCONSUMO CONECTADA A RED |                  |                |               |                |            | COMPRA ENERGIA |               |                |            | COMPARATIVA |            |
|-----|-----------------------------------------|------------------|----------------|---------------|----------------|------------|----------------|---------------|----------------|------------|-------------|------------|
|     | COSTES INSTALACION                      | C, MANTENIMIENTO | COMPRA ENERGIA | VENTA ENERGIA | FLUJOS DE CAJA | VAN        | COMPRA ENERGIA | VENTA ENERGIA | FLUJOS DE CAJA | VAN        | AHORRO      | BALANCE    |
| 0   | -5.426,3 €                              | 0 €              | 0 €            | 0 €           | -5.426,3 €     | -5.426,3 € | 0 €            | 0 €           | 0 €            | 0 €        | -5.426,3 €  | -5.426,3 € |
| 1   | 0 €                                     | -61,6 €          | -775,3 €       | 120 €         | -716,9 €       | -702,8 €   | -1.130,8 €     | 0 €           | -1.130,8 €     | -1.108,6 € | 405,8 €     | -5.020,5 € |
| 2   | 0 €                                     | -62,8 €          | -790,8 €       | 122,4 €       | -731,2 €       | -702,8 €   | -1.153,4 €     | 0 €           | -1.153,4 €     | -1.108,6 € | 405,8 €     | -4.614,7 € |
| 3   | 0 €                                     | -64,1 €          | -806,6 €       | 124,8 €       | -745,8 €       | -702,8 €   | -1.176,5 €     | 0 €           | -1.176,5 €     | -1.108,6 € | 405,8 €     | -4.209 €   |
| 4   | 0 €                                     | -65,4 €          | -822,7 €       | 127,3 €       | -760,8 €       | -702,8 €   | -1.200 €       | 0 €           | -1.200 €       | -1.108,6 € | 405,8 €     | -3.803,1 € |
| 5   | 0 €                                     | -66,7 €          | -839,2 €       | 129,9 €       | -776 €         | -702,8 €   | -1.224 €       | 0 €           | -1.224 €       | -1.108,6 € | 405,8 €     | -3.397,3 € |
| 6   | 0 €                                     | -68 €            | -855,9 €       | 132,5 €       | -791,5 €       | -702,8 €   | -1.248,5 €     | 0 €           | -1.248,5 €     | -1.108,6 € | 405,8 €     | -2.991,5 € |
| 7   | 0 €                                     | -69,4 €          | -873,1 €       | 135,1 €       | -807,3 €       | -702,8 €   | -1.273,5 €     | 0 €           | -1.273,5 €     | -1.108,6 € | 405,8 €     | -2.585,7 € |
| 8   | 0 €                                     | -70,8 €          | -890,5 €       | 137,8 €       | -823,5 €       | -702,8 €   | -1.298,9 €     | 0 €           | -1.298,9 €     | -1.108,6 € | 405,8 €     | -2.180 €   |
| 9   | 0 €                                     | -72,2 €          | -908,3 €       | 140,6 €       | -839,9 €       | -702,8 €   | -1.324,9 €     | 0 €           | -1.324,9 €     | -1.108,6 € | 405,8 €     | -1.774,1 € |
| 10  | -904,5 €                                | -73,6 €          | -926,5 €       | 143,4 €       | -1.761,2 €     | -1.444,8 € | -1.351,4 €     | 0 €           | -1.351,4 €     | -1.108,6 € | -336,2 €    | -2.110,3 € |
| 11  | 0 €                                     | -75,1 €          | -945 €         | 146,3 €       | -873,9 €       | -702,8 €   | -1.378,4 €     | 0 €           | -1.378,4 €     | -1.108,6 € | 405,8 €     | -1.704,5 € |
| 12  | 0 €                                     | -76,6 €          | -963,9 €       | 149,2 €       | -891,3 €       | -702,8 €   | -1.406 €       | 0 €           | -1.406 €       | -1.108,6 € | 405,8 €     | -1.298,7 € |
| 13  | 0 €                                     | -78,1 €          | -983,2 €       | 152,2 €       | -909,2 €       | -702,8 €   | -1.434,1 €     | 0 €           | -1.434,1 €     | -1.108,6 € | 405,8 €     | -892,9 €   |
| 14  | 0 €                                     | -79,7 €          | -1.002,9 €     | 155,2 €       | -927,4 €       | -702,8 €   | -1.462,8 €     | 0 €           | -1.462,8 €     | -1.108,6 € | 405,8 €     | -487 €     |
| 15  | 0 €                                     | -81,3 €          | -1.022,9 €     | 158,3 €       | -945,9 €       | -702,8 €   | -1.492,1 €     | 0 €           | -1.492,1 €     | -1.108,6 € | 405,8 €     | -81,3 €    |
| 16  | 0 €                                     | -82,9 €          | -1.043,4 €     | 161,5 €       | -964,8 €       | -702,8 €   | -1.521,9 €     | 0 €           | -1.521,9 €     | -1.108,6 € | 405,8 €     | 324,5 €    |
| 17  | 0 €                                     | -84,6 €          | -1.064,3 €     | 164,7 €       | -984,1 €       | -702,8 €   | -1.552,3 €     | 0 €           | -1.552,3 €     | -1.108,6 € | 405,8 €     | 730,3 €    |
| 18  | 0 €                                     | -86,3 €          | -1.085,5 €     | 168 €         | -1.003,8 €     | -702,8 €   | -1.583,4 €     | 0 €           | -1.583,4 €     | -1.108,6 € | 405,8 €     | 1.136,1 €  |
| 19  | 0 €                                     | -88 €            | -1.107,3 €     | 171,4 €       | -1.023,9 €     | -702,8 €   | -1.615 €       | 0 €           | -1.615 €       | -1.108,6 € | 405,8 €     | 1.541,9 €  |
| 20  | -1.102,6 €                              | -89,8 €          | -1.129,4 €     | 174,8 €       | -2.146,9 €     | -1.444,8 € | -1.647,3 €     | 0 €           | -1.647,3 €     | -1.108,6 € | -336,2 €    | 1.205,7 €  |
| 21  | 0 €                                     | -91,5 €          | -1.152 €       | 178,3 €       | -1.065,2 €     | -702,8 €   | -1.680,3 €     | 0 €           | -1.680,3 €     | -1.108,6 € | 405,8 €     | 1.611,5 €  |
| 22  | 0 €                                     | -93,4 €          | -1.175 €       | 181,9 €       | -1.086,5 €     | -702,8 €   | -1.713,9 €     | 0 €           | -1.713,9 €     | -1.108,6 € | 405,8 €     | 2.017,3 €  |
| 23  | 0 €                                     | -95,2 €          | -1.198,5 €     | 185,5 €       | -1.108,3 €     | -702,8 €   | -1.748,2 €     | 0 €           | -1.748,2 €     | -1.108,6 € | 405,8 €     | 2.423,1 €  |
| 24  | 0 €                                     | -97,1 €          | -1.222,5 €     | 189,2 €       | -1.130,4 €     | -702,8 €   | -1.783,1 €     | 0 €           | -1.783,1 €     | -1.108,6 € | 405,8 €     | 2.828,9 €  |
| 25  | 608,7 €                                 | -99,1 €          | -1.246,9 €     | 193 €         | -544,4 €       | -331,8 €   | -1.818,8 €     | 0 €           | -1.818,8 €     | -1.108,6 € | 776,8 €     | 3.605,7 €  |

VAN 22.938,4 €

PAYBACK 12 años

AHORRO 4.731,6 €

LCOE 0,2 €/kWh

**60. Instalación +10° inclinación paneles Bilbao**

| AÑO | INSTALACION AUTOCONSUMO CONECTADA A RED |                  |                |               |                |            | COMPRA ENERGIA |               |                |            | COMPARATIVA |            |
|-----|-----------------------------------------|------------------|----------------|---------------|----------------|------------|----------------|---------------|----------------|------------|-------------|------------|
|     | COSTES INSTALACION                      | C, MANTENIMIENTO | COMPRA ENERGIA | VENTA ENERGIA | FLUJOS DE CAJA | VAN        | COMPRA ENERGIA | VENTA ENERGIA | FLUJOS DE CAJA | VAN        | AHORRO      | BALANCE    |
| 0   | -5.426,3 €                              | 0 €              | 0 €            | 0 €           | -5.426,3 €     | -5.426,3 € | 0 €            | 0 €           | 0 €            | 0 €        | -5.426,3 €  | -5.426,3 € |
| 1   | 0 €                                     | -61,6 €          | -791,8 €       | 115,5 €       | -737,9 €       | -723,4 €   | -1.130,8 €     | 0 €           | -1.130,8 €     | -1.108,6 € | 385,2 €     | -5.041,1 € |
| 2   | 0 €                                     | -62,8 €          | -807,6 €       | 117,8 €       | -752,6 €       | -723,4 €   | -1.153,4 €     | 0 €           | -1.153,4 €     | -1.108,6 € | 385,2 €     | -4.655,9 € |
| 3   | 0 €                                     | -64,1 €          | -823,7 €       | 120,2 €       | -767,7 €       | -723,4 €   | -1.176,5 €     | 0 €           | -1.176,5 €     | -1.108,6 € | 385,2 €     | -4.271 €   |
| 4   | 0 €                                     | -65,4 €          | -840,2 €       | 122,6 €       | -783 €         | -723,4 €   | -1.200 €       | 0 €           | -1.200 €       | -1.108,6 € | 385,2 €     | -3.885,5 € |
| 5   | 0 €                                     | -66,7 €          | -857,0 €       | 125 €         | -798,7 €       | -723,4 €   | -1.224 €       | 0 €           | -1.224 €       | -1.108,6 € | 385,2 €     | -3.500,3 € |
| 6   | 0 €                                     | -68 €            | -874,2 €       | 127,5 €       | -814,7 €       | -723,4 €   | -1.248,5 €     | 0 €           | -1.248,5 €     | -1.108,6 € | 385,2 €     | -3.115,1 € |
| 7   | 0 €                                     | -69,4 €          | -891,6 €       | 130,1 €       | -831 €         | -723,4 €   | -1.273,5 €     | 0 €           | -1.273,5 €     | -1.108,6 € | 385,2 €     | -2.729,9 € |
| 8   | 0 €                                     | -70,8 €          | -909,5 €       | 132,7 €       | -847,6 €       | -723,4 €   | -1.298,9 €     | 0 €           | -1.298,9 €     | -1.108,6 € | 385,2 €     | -2.345 €   |
| 9   | 0 €                                     | -72,2 €          | -927,7 €       | 135,3 €       | -864,5 €       | -723,4 €   | -1.324,9 €     | 0 €           | -1.324,9 €     | -1.108,6 € | 385,2 €     | -1.959,5 € |
| 10  | -904,5 €                                | -73,6 €          | -946,2 €       | 138 €         | -1.786,3 €     | -1.465,4 € | -1.351,4 €     | 0 €           | -1.351,4 €     | -1.108,6 € | -356,8 €    | -2.316,3 € |
| 11  | 0 €                                     | -75,1 €          | -965,1 €       | 140,8 €       | -899,5 €       | -723,4 €   | -1.378,4 €     | 0 €           | -1.378,4 €     | -1.108,6 € | 385,2 €     | -1.931,1 € |
| 12  | 0 €                                     | -76,6 €          | -984,5 €       | 143,6 €       | -917,5 €       | -723,4 €   | -1.406 €       | 0 €           | -1.406 €       | -1.108,6 € | 385,2 €     | -1.545,9 € |
| 13  | 0 €                                     | -78,1 €          | -1.004,1 €     | 146,5 €       | -935,8 €       | -723,4 €   | -1.434,1 €     | 0 €           | -1.434,1 €     | -1.108,6 € | 385,2 €     | -1.160,7 € |
| 14  | 0 €                                     | -79,7 €          | -1.024,2 €     | 149,4 €       | -954,5 €       | -723,4 €   | -1.462,8 €     | 0 €           | -1.462,8 €     | -1.108,6 € | 385,2 €     | -776 €     |
| 15  | 0 €                                     | -81,3 €          | -1.044,7 €     | 152,4 €       | -973,6 €       | -723,4 €   | -1.492,1 €     | 0 €           | -1.492,1 €     | -1.108,6 € | 385,2 €     | -390,3 €   |
| 16  | 0 €                                     | -82,9 €          | -1.065,6 €     | 155,4 €       | -993,1 €       | -723,4 €   | -1.521,9 €     | 0 €           | -1.521,9 €     | -1.108,6 € | 385,2 €     | -5,1 €     |
| 17  | 0 €                                     | -84,6 €          | -1.086,9 €     | 158,5 €       | -1.012,9 €     | -723,4 €   | -1.552,3 €     | 0 €           | -1.552,3 €     | -1.108,6 € | 385,2 €     | 380,1 €    |
| 18  | 0 €                                     | -86,3 €          | -1.108,7 €     | 161,7 €       | -1.033,2 €     | -723,4 €   | -1.583,4 €     | 0 €           | -1.583,4 €     | -1.108,6 € | 385,2 €     | 765,3 €    |
| 19  | 0 €                                     | -88 €            | -1.130,8 €     | 165 €         | -1.053,9 €     | -723,4 €   | -1.615 €       | 0 €           | -1.615 €       | -1.108,6 € | 385,2 €     | 1.150,5 €  |
| 20  | -1.102,6 €                              | -89,8 €          | -1.153,4 €     | 168,3 €       | -2.177,5 €     | -1.465,4 € | -1.647,3 €     | 0 €           | -1.647,3 €     | -1.108,6 € | -356,8 €    | 793,7 €    |
| 21  | 0 €                                     | -91,5 €          | -1.176,5 €     | 171,6 €       | -1.096,4 €     | -723,4 €   | -1.680,3 €     | 0 €           | -1.680,3 €     | -1.108,6 € | 385,2 €     | 1.178,9 €  |
| 22  | 0 €                                     | -93,4 €          | -1.200 €       | 175,1 €       | -1.118,4 €     | -723,4 €   | -1.713,9 €     | 0 €           | -1.713,9 €     | -1.108,6 € | 385,2 €     | 1.564,1 €  |
| 23  | 0 €                                     | -95,2 €          | -1.224 €       | 178,6 €       | -1.140,7 €     | -723,4 €   | -1.748,2 €     | 0 €           | -1.748,2 €     | -1.108,6 € | 385,2 €     | 1.949,3 €  |
| 24  | 0 €                                     | -97,1 €          | -1.248,5 €     | 182,1 €       | -1.163,6 €     | -723,4 €   | -1.783,1 €     | 0 €           | -1.783,1 €     | -1.108,6 € | 385,2 €     | 2.334,5 €  |
| 25  | 608,7 €                                 | -99,1 €          | -1.273,5 €     | 185,8 €       | -578,2 €       | -352,4 €   | -1.818,8 €     | 0 €           | -1.818,8 €     | -1.108,6 € | 756,2 €     | 3.090,7 €  |

VAN 24.624,4 €

PAYBACK 16 años

AHORRO 3.090,7 €

LCOE 0,21 €/kWh

### 61. Instalación -20° inclinación paneles Bilbao

| AÑO | INSTALACION AUTOCONSUMO CONECTADA A RED |                  |                |               |                |            | COMPRA ENERGIA |               |                |            | COMPARATIVA |            |
|-----|-----------------------------------------|------------------|----------------|---------------|----------------|------------|----------------|---------------|----------------|------------|-------------|------------|
|     | COSTES INSTALACION                      | C, MANTENIMIENTO | COMPRA ENERGIA | VENTA ENERGIA | FLUJOS DE CAJA | VAN        | COMPRA ENERGIA | VENTA ENERGIA | FLUJOS DE CAJA | VAN        | AHORRO      | BALANCE    |
| 0   | -5.426,3 €                              | 0 €              | 0 €            | 0 €           | -5.426,3 €     | -5.426,3 € | 0 €            | 0 €           | 0 €            | 0 €        | -5.426,3 €  | -5.426,3 € |
| 1   | 0 €                                     | -61,6 €          | -776,5 €       | 113,8 €       | -724,3 €       | -710,1 €   | -1.130,8 €     | 0 €           | -1.130,8 €     | -1.108,6 € | 398,5 €     | -5.027,8 € |
| 2   | 0 €                                     | -62,8 €          | -792,1 €       | 116,1 €       | -738,8 €       | -710,1 €   | -1.153,4 €     | 0 €           | -1.153,4 €     | -1.108,6 € | 398,5 €     | -4.629,3 € |
| 3   | 0 €                                     | -64,1 €          | -807,9 €       | 118,4 €       | -753,6 €       | -710,1 €   | -1.176,5 €     | 0 €           | -1.176,5 €     | -1.108,6 € | 398,5 €     | -4.231 €   |
| 4   | 0 €                                     | -65,4 €          | -824,1 €       | 120,8 €       | -768,6 €       | -710,1 €   | -1.200 €       | 0 €           | -1.200 €       | -1.108,6 € | 398,5 €     | -3.832,3 € |
| 5   | 0 €                                     | -66,7 €          | -840,6 €       | 123,2 €       | -784 €         | -710,1 €   | -1.224 €       | 0 €           | -1.224 €       | -1.108,6 € | 398,5 €     | -3.433,8 € |
| 6   | 0 €                                     | -68 €            | -857,4 €       | 125,7 €       | -799,7 €       | -710,1 €   | -1.248,5 €     | 0 €           | -1.248,5 €     | -1.108,6 € | 398,5 €     | -3.035,3 € |
| 7   | 0 €                                     | -69,4 €          | -874,5 €       | 128,2 €       | -815,7 €       | -710,1 €   | -1.273,5 €     | 0 €           | -1.273,5 €     | -1.108,6 € | 398,5 €     | -2.636,8 € |
| 8   | 0 €                                     | -70,8 €          | -892 €         | 130,8 €       | -832 €         | -710,1 €   | -1.298,9 €     | 0 €           | -1.298,9 €     | -1.108,6 € | 398,5 €     | -2.238 €   |
| 9   | 0 €                                     | -72,2 €          | -909,8 €       | 133,4 €       | -848,6 €       | -710,1 €   | -1.324,9 €     | 0 €           | -1.324,9 €     | -1.108,6 € | 398,5 €     | -1.839,8 € |
| 10  | -904,5 €                                | -73,6 €          | -928 €         | 136,1 €       | -1.770,1 €     | -1.452,1 € | -1.351,4 €     | 0 €           | -1.351,4 €     | -1.108,6 € | -343,5 €    | -2.183,3 € |
| 11  | 0 €                                     | -75,1 €          | -946,6 €       | 138,8 €       | -882,9 €       | -710,1 €   | -1.378,4 €     | 0 €           | -1.378,4 €     | -1.108,6 € | 398,5 €     | -1.784,8 € |
| 12  | 0 €                                     | -76,6 €          | -965,5 €       | 141,5 €       | -900,6 €       | -710,1 €   | -1.406 €       | 0 €           | -1.406 €       | -1.108,6 € | 398,5 €     | -1.386,3 € |
| 13  | 0 €                                     | -78,1 €          | -984,8 €       | 144,4 €       | -918,6 €       | -710,1 €   | -1.434,1 €     | 0 €           | -1.434,1 €     | -1.108,6 € | 398,5 €     | -987,8 €   |
| 14  | 0 €                                     | -79,7 €          | -1.004,5 €     | 147,3 €       | -937 €         | -710,1 €   | -1.462,8 €     | 0 €           | -1.462,8 €     | -1.108,6 € | 398,5 €     | -589 €     |
| 15  | 0 €                                     | -81,3 €          | -1.024,6 €     | 150,2 €       | -955,7 €       | -710,1 €   | -1.492,1 €     | 0 €           | -1.492,1 €     | -1.108,6 € | 398,5 €     | -190,8 €   |
| 16  | 0 €                                     | -82,9 €          | -1.045,1 €     | 153,2 €       | -974,8 €       | -710,1 €   | -1.521,9 €     | 0 €           | -1.521,9 €     | -1.108,6 € | 398,5 €     | 207,7 €    |
| 17  | 0 €                                     | -84,6 €          | -1.066 €       | 156,3 €       | -994,3 €       | -710,1 €   | -1.552,3 €     | 0 €           | -1.552,3 €     | -1.108,6 € | 398,5 €     | 606,2 €    |
| 18  | 0 €                                     | -86,3 €          | -1.087,3 €     | 159,4 €       | -1.014,2 €     | -710,1 €   | -1.583,4 €     | 0 €           | -1.583,4 €     | -1.108,6 € | 398,5 €     | 1.004,7 €  |
| 19  | 0 €                                     | -88 €            | -1.109,1 €     | 162,6 €       | -1.034,5 €     | -710,1 €   | -1.615 €       | 0 €           | -1.615 €       | -1.108,6 € | 398,5 €     | 1.403,2 €  |
| 20  | -1.102,6 €                              | -89,8 €          | -1.131,3 €     | 165,8 €       | -2.157,8 €     | -1.452,1 € | -1.647,3 €     | 0 €           | -1.647,3 €     | -1.108,6 € | -343,5 €    | 1.059,7 €  |
| 21  | 0 €                                     | -91,5 €          | -1.153,9 €     | 169,2 €       | -1.076,3 €     | -710,1 €   | -1.680,3 €     | 0 €           | -1.680,3 €     | -1.108,6 € | 398,5 €     | 1.458,2 €  |
| 22  | 0 €                                     | -93,4 €          | -1.177 €       | 172,5 €       | -1.097,8 €     | -710,1 €   | -1.713,9 €     | 0 €           | -1.713,9 €     | -1.108,6 € | 398,5 €     | 1.856,7 €  |
| 23  | 0 €                                     | -95,2 €          | -1.200,5 €     | 176 €         | -1.119,8 €     | -710,1 €   | -1.748,2 €     | 0 €           | -1.748,2 €     | -1.108,6 € | 398,5 €     | 2.255,2 €  |
| 24  | 0 €                                     | -97,1 €          | -1.224,5 €     | 179,5 €       | -1.142,2 €     | -710,1 €   | -1.783,1 €     | 0 €           | -1.783,1 €     | -1.108,6 € | 398,5 €     | 2.653,7 €  |
| 25  | 608,7 €                                 | -99,1 €          | -1.249 €       | 183,1 €       | -556,3 €       | -339,1 €   | -1.818,8 €     | 0 €           | -1.818,8 €     | -1.108,6 € | 769,5 €     | 3.423,2 €  |

VAN 24.291,9 €

PAYBACK 14 años

AHORRO 3.423,2 €

LCOE 0,21 €/kWh

**62. Instalación +20° inclinación paneles Bilbao**

| AÑO | INSTALACION AUTOCONSUMO CONECTADA A RED |                  |                |               |                |            | COMPRA ENERGIA |               |                |            | COMPARATIVA |            |
|-----|-----------------------------------------|------------------|----------------|---------------|----------------|------------|----------------|---------------|----------------|------------|-------------|------------|
|     | COSTES INSTALACION                      | C, MANTENIMIENTO | COMPRA ENERGIA | VENTA ENERGIA | FLUJOS DE CAJA | VAN        | COMPRA ENERGIA | VENTA ENERGIA | FLUJOS DE CAJA | VAN        | AHORRO      | BALANCE    |
| 0   | -5.426,3 €                              | 0 €              | 0 €            | 0 €           | -5.426,3 €     | -5.426,3 € | 0 €            | 0 €           | 0 €            | 0 €        | -5.426,3 €  | -5.426,3 € |
| 1   | 0 €                                     | -61,6 €          | -789,3 €       | 115,9 €       | -734,9 €       | -720,5 €   | -1.130,8 €     | 0 €           | -1.130,8 €     | -1.108,6 € | 388,1 €     | -5.038,2 € |
| 2   | 0 €                                     | -62,8 €          | -805 €         | 118,2 €       | -749,6 €       | -720,5 €   | -1.153,4 €     | 0 €           | -1.153,4 €     | -1.108,6 € | 388,1 €     | -4.650,1 € |
| 3   | 0 €                                     | -64,1 €          | -821,1 €       | 120,6 €       | -764,6 €       | -720,5 €   | -1.176,5 €     | 0 €           | -1.176,5 €     | -1.108,6 € | 388,1 €     | -4.262 €   |
| 4   | 0 €                                     | -65,4 €          | -837,6 €       | 123 €         | -779,9 €       | -720,5 €   | -1.200 €       | 0 €           | -1.200 €       | -1.108,6 € | 388,1 €     | -3.873,9 € |
| 5   | 0 €                                     | -66,7 €          | -854,3 €       | 125,5 €       | -795,5 €       | -720,5 €   | -1.224 €       | 0 €           | -1.224 €       | -1.108,6 € | 388,1 €     | -3.485,8 € |
| 6   | 0 €                                     | -68 €            | -871,4 €       | 128 €         | -811,4 €       | -720,5 €   | -1.248,5 €     | 0 €           | -1.248,5 €     | -1.108,6 € | 388,1 €     | -3.097,7 € |
| 7   | 0 €                                     | -69,4 €          | -888,8 €       | 130,5 €       | -827,7 €       | -720,5 €   | -1.273,5 €     | 0 €           | -1.273,5 €     | -1.108,6 € | 388,1 €     | -2.709,6 € |
| 8   | 0 €                                     | -70,8 €          | -906,6 €       | 133,2 €       | -844,2 €       | -720,5 €   | -1.298,9 €     | 0 €           | -1.298,9 €     | -1.108,6 € | 388,1 €     | -2.322 €   |
| 9   | 0 €                                     | -72,2 €          | -924,7 €       | 135,8 €       | -861,1 €       | -720,5 €   | -1.324,9 €     | 0 €           | -1.324,9 €     | -1.108,6 € | 388,1 €     | -1.933,4 € |
| 10  | -904,5 €                                | -73,6 €          | -943,2 €       | 138,5 €       | -1.782,8 €     | -1.462,5 € | -1.351,4 €     | 0 €           | -1.351,4 €     | -1.108,6 € | -353,9 €    | -2.287,3 € |
| 11  | 0 €                                     | -75,1 €          | -962,1 €       | 141,3 €       | -895,9 €       | -720,5 €   | -1.378,4 €     | 0 €           | -1.378,4 €     | -1.108,6 € | 388,1 €     | -1.899,2 € |
| 12  | 0 €                                     | -76,6 €          | -981,3 €       | 144,1 €       | -913,8 €       | -720,5 €   | -1.406 €       | 0 €           | -1.406 €       | -1.108,6 € | 388,1 €     | -1.511,1 € |
| 13  | 0 €                                     | -78,1 €          | -1.001 €       | 147 €         | -932,1 €       | -720,5 €   | -1.434,1 €     | 0 €           | -1.434,1 €     | -1.108,6 € | 388,1 €     | -1.123,0 € |
| 14  | 0 €                                     | -79,7 €          | -1.021 €       | 149,9 €       | -950,7 €       | -720,5 €   | -1.462,8 €     | 0 €           | -1.462,8 €     | -1.108,6 € | 388,1 €     | -735 €     |
| 15  | 0 €                                     | -81,3 €          | -1.041,4 €     | 152,9 €       | -969,7 €       | -720,5 €   | -1.492,1 €     | 0 €           | -1.492,1 €     | -1.108,6 € | 388,1 €     | -346,8 €   |
| 16  | 0 €                                     | -82,9 €          | -1.062,2 €     | 156 €         | -989,1 €       | -720,5 €   | -1.521,9 €     | 0 €           | -1.521,9 €     | -1.108,6 € | 388,1 €     | 41,3 €     |
| 17  | 0 €                                     | -84,6 €          | -1.083,5 €     | 159,1 €       | -1.008,9 €     | -720,5 €   | -1.552,3 €     | 0 €           | -1.552,3 €     | -1.108,6 € | 388,1 €     | 429,4 €    |
| 18  | 0 €                                     | -86,3 €          | -1.105,1 €     | 162,3 €       | -1.029,1 €     | -720,5 €   | -1.583,4 €     | 0 €           | -1.583,4 €     | -1.108,6 € | 388,1 €     | 817,5 €    |
| 19  | 0 €                                     | -88 €            | -1.127,2 €     | 165,6 €       | -1.049,7 €     | -720,5 €   | -1.615 €       | 0 €           | -1.615 €       | -1.108,6 € | 388,1 €     | 1.205,6 €  |
| 20  | -1.102,6 €                              | -89,8 €          | -1.149,8 €     | 168,9 €       | -2.173,2 €     | -1.462,5 € | -1.647,3 €     | 0 €           | -1.647,3 €     | -1.108,6 € | -353,9 €    | 851,7 €    |
| 21  | 0 €                                     | -91,5 €          | -1.172,8 €     | 172,2 €       | -1.092,1 €     | -720,5 €   | -1.680,3 €     | 0 €           | -1.680,3 €     | -1.108,6 € | 388,1 €     | 1.239,8 €  |
| 22  | 0 €                                     | -93,4 €          | -1.196,2 €     | 175,7 €       | -1.113,9 €     | -720,5 €   | -1.713,9 €     | 0 €           | -1.713,9 €     | -1.108,6 € | 388,1 €     | 1.627,9 €  |
| 23  | 0 €                                     | -95,2 €          | -1.220,2 €     | 179,2 €       | -1.136,2 €     | -720,5 €   | -1.748,2 €     | 0 €           | -1.748,2 €     | -1.108,6 € | 388,1 €     | 2.016,0 €  |
| 24  | 0 €                                     | -97,1 €          | -1.244,6 €     | 182,8 €       | -1.158,9 €     | -720,5 €   | -1.783,1 €     | 0 €           | -1.783,1 €     | -1.108,6 € | 388,1 €     | 2.404,1 €  |
| 25  | 608,7 €                                 | -99,1 €          | -1.269,5 €     | 186,4 €       | -573,4 €       | -349,5 €   | -1.818,8 €     | 0 €           | -1.818,8 €     | -1.108,6 € | 759,1 €     | 3.163,2 €  |

VAN 24.552,7 €

PAYBACK 15 años

AHORRO 3.163,2 €

LCOE 0,21 €/kWh

**63. Instalación -30° inclinación paneles Bilbao**

| AÑO | INSTALACION AUTOCONSUMO CONECTADA A RED |                  |                |               |                |            | COMPRA ENERGIA |               |                |            | COMPARATIVA |            |
|-----|-----------------------------------------|------------------|----------------|---------------|----------------|------------|----------------|---------------|----------------|------------|-------------|------------|
|     | COSTES INSTALACION                      | C, MANTENIMIENTO | COMPRA ENERGIA | VENTA ENERGIA | FLUJOS DE CAJA | VAN        | COMPRA ENERGIA | VENTA ENERGIA | FLUJOS DE CAJA | VAN        | AHORRO      | BALANCE    |
| 0   | -5.426,3 €                              | 0 €              | 0 €            | 0 €           | -5.426,3 €     | -5.426,3 € | 0 €            | 0 €           | 0 €            | 0 €        | -5.426,3 €  | -5.426,3 € |
| 1   | 0 €                                     | -61,6 €          | -782,3 €       | 104,5 €       | -739,4 €       | -724,9 €   | -1.130,8 €     | 0 €           | -1.130,8 €     | -1.108,6 € | 383,7 €     | -5.042,6 € |
| 2   | 0 €                                     | -62,8 €          | -797,9 €       | 106,6 €       | -754,2 €       | -724,9 €   | -1.153,4 €     | 0 €           | -1.153,4 €     | -1.108,6 € | 383,7 €     | -4.658,9 € |
| 3   | 0 €                                     | -64,1 €          | -813,9 €       | 108,7 €       | -769,3 €       | -724,9 €   | -1.176,5 €     | 0 €           | -1.176,5 €     | -1.108,6 € | 383,7 €     | -4.275 €   |
| 4   | 0 €                                     | -65,4 €          | -830,2 €       | 110,9 €       | -784,7 €       | -724,9 €   | -1.200 €       | 0 €           | -1.200 €       | -1.108,6 € | 383,7 €     | -3.891,5 € |
| 5   | 0 €                                     | -66,7 €          | -846,8 €       | 113,1 €       | -800,4 €       | -724,9 €   | -1.224 €       | 0 €           | -1.224 €       | -1.108,6 € | 383,7 €     | -3.507,8 € |
| 6   | 0 €                                     | -68 €            | -863,7 €       | 115,3 €       | -816,4 €       | -724,9 €   | -1.248,5 €     | 0 €           | -1.248,5 €     | -1.108,6 € | 383,7 €     | -3.124,1 € |
| 7   | 0 €                                     | -69,4 €          | -881 €         | 117,6 €       | -832,7 €       | -724,9 €   | -1.273,5 €     | 0 €           | -1.273,5 €     | -1.108,6 € | 383,7 €     | -2.740,4 € |
| 8   | 0 €                                     | -70,8 €          | -898,6 €       | 120 €         | -849,3 €       | -724,9 €   | -1.298,9 €     | 0 €           | -1.298,9 €     | -1.108,6 € | 383,7 €     | -2.357 €   |
| 9   | 0 €                                     | -72,2 €          | -916,6 €       | 122,4 €       | -866,3 €       | -724,9 €   | -1.324,9 €     | 0 €           | -1.324,9 €     | -1.108,6 € | 383,7 €     | -1.973,0 € |
| 10  | -904,5 €                                | -73,6 €          | -934,9 €       | 124,8 €       | -1.788,2 €     | -1.466,9 € | -1.351,4 €     | 0 €           | -1.351,4 €     | -1.108,6 € | -358,3 €    | -2.331,3 € |
| 11  | 0 €                                     | -75,1 €          | -953,6 €       | 127,3 €       | -901,3 €       | -724,9 €   | -1.378,4 €     | 0 €           | -1.378,4 €     | -1.108,6 € | 383,7 €     | -1.947,6 € |
| 12  | 0 €                                     | -76,6 €          | -972,7 €       | 129,9 €       | -919,4 €       | -724,9 €   | -1.406 €       | 0 €           | -1.406 €       | -1.108,6 € | 383,7 €     | -1.563,9 € |
| 13  | 0 €                                     | -78,1 €          | -992,1 €       | 132,5 €       | -937,8 €       | -724,9 €   | -1.434,1 €     | 0 €           | -1.434,1 €     | -1.108,6 € | 383,7 €     | -1.180,2 € |
| 14  | 0 €                                     | -79,7 €          | -1.011,9 €     | 135,1 €       | -956,5 €       | -724,9 €   | -1.462,8 €     | 0 €           | -1.462,8 €     | -1.108,6 € | 383,7 €     | -797 €     |
| 15  | 0 €                                     | -81,3 €          | -1.032,2 €     | 137,8 €       | -975,6 €       | -724,9 €   | -1.492,1 €     | 0 €           | -1.492,1 €     | -1.108,6 € | 383,7 €     | -412,8 €   |
| 16  | 0 €                                     | -82,9 €          | -1.052,8 €     | 140,6 €       | -995,1 €       | -724,9 €   | -1.521,9 €     | 0 €           | -1.521,9 €     | -1.108,6 € | 383,7 €     | -29,1 €    |
| 17  | 0 €                                     | -84,6 €          | -1.073,9 €     | 143,4 €       | -1.015,1 €     | -724,9 €   | -1.552,3 €     | 0 €           | -1.552,3 €     | -1.108,6 € | 383,7 €     | 354,6 €    |
| 18  | 0 €                                     | -86,3 €          | -1.095,4 €     | 146,3 €       | -1.035,4 €     | -724,9 €   | -1.583,4 €     | 0 €           | -1.583,4 €     | -1.108,6 € | 383,7 €     | 738,3 €    |
| 19  | 0 €                                     | -88 €            | -1.117,3 €     | 149,2 €       | -1.056,1 €     | -724,9 €   | -1.615 €       | 0 €           | -1.615 €       | -1.108,6 € | 383,7 €     | 1.122,0 €  |
| 20  | -1.102,6 €                              | -89,8 €          | -1.139,6 €     | 152,2 €       | -2.179,8 €     | -1.466,9 € | -1.647,3 €     | 0 €           | -1.647,3 €     | -1.108,6 € | -358,3 €    | 763,7 €    |
| 21  | 0 €                                     | -91,5 €          | -1.162,4 €     | 155,2 €       | -1.098,7 €     | -724,9 €   | -1.680,3 €     | 0 €           | -1.680,3 €     | -1.108,6 € | 383,7 €     | 1.147,4 €  |
| 22  | 0 €                                     | -93,4 €          | -1.185,7 €     | 158,3 €       | -1.120,7 €     | -724,9 €   | -1.713,9 €     | 0 €           | -1.713,9 €     | -1.108,6 € | 383,7 €     | 1.531,1 €  |
| 23  | 0 €                                     | -95,2 €          | -1.209,4 €     | 161,5 €       | -1.143,1 €     | -724,9 €   | -1.748,2 €     | 0 €           | -1.748,2 €     | -1.108,6 € | 383,7 €     | 1.914,8 €  |
| 24  | 0 €                                     | -97,1 €          | -1.233,6 €     | 164,7 €       | -1.166 €       | -724,9 €   | -1.783,1 €     | 0 €           | -1.783,1 €     | -1.108,6 € | 383,7 €     | 2.298,5 €  |
| 25  | 608,7 €                                 | -99,1 €          | -1.258,2 €     | 168 €         | -580,6 €       | -353,9 €   | -1.818,8 €     | 0 €           | -1.818,8 €     | -1.108,6 € | 754,7 €     | 3.053,2 €  |

VAN 24.662,1 €

PAYBACK 16 años

AHORRO 3.053,2 €

LCOE 0,21 €/kWh

### 64. Instalación +30° inclinación paneles Bilbao

| AÑO | INSTALACION AUTOCONSUMO CONECTADA A RED |                  |                |               |                |            | COMPRA ENERGIA |               |                |            | COMPARATIVA |            |
|-----|-----------------------------------------|------------------|----------------|---------------|----------------|------------|----------------|---------------|----------------|------------|-------------|------------|
|     | COSTES INSTALACION                      | C, MANTENIMIENTO | COMPRA ENERGIA | VENTA ENERGIA | FLUJOS DE CAJA | VAN        | COMPRA ENERGIA | VENTA ENERGIA | FLUJOS DE CAJA | VAN        | AHORRO      | BALANCE    |
| 0   | -5.426,3 €                              | 0 €              | 0 €            | 0 €           | -5.426,3 €     | -5.426,3 € | 0 €            | 0 €           | 0 €            | 0 €        | -5.426,3 €  | -5.426,3 € |
| 1   | 0 €                                     | -61,6 €          | -798,8 €       | 106,9 €       | -753,5 €       | -738,8 €   | -1.130,8 €     | 0 €           | -1.130,8 €     | -1.108,6 € | 369,8 €     | -5.056,5 € |
| 2   | 0 €                                     | -62,8 €          | -814,8 €       | 109 €         | -768,6 €       | -738,8 €   | -1.153,4 €     | 0 €           | -1.153,4 €     | -1.108,6 € | 369,8 €     | -4.686,7 € |
| 3   | 0 €                                     | -64,1 €          | -831,1 €       | 111,2 €       | -784 €         | -738,8 €   | -1.176,5 €     | 0 €           | -1.176,5 €     | -1.108,6 € | 369,8 €     | -4.317 €   |
| 4   | 0 €                                     | -65,4 €          | -847,7 €       | 113,4 €       | -799,7 €       | -738,8 €   | -1.200 €       | 0 €           | -1.200 €       | -1.108,6 € | 369,8 €     | -3.947,1 € |
| 5   | 0 €                                     | -66,7 €          | -864,7 €       | 115,7 €       | -815,6 €       | -738,8 €   | -1.224 €       | 0 €           | -1.224 €       | -1.108,6 € | 369,8 €     | -3.577,3 € |
| 6   | 0 €                                     | -68 €            | -882 €         | 118 €         | -832 €         | -738,8 €   | -1.248,5 €     | 0 €           | -1.248,5 €     | -1.108,6 € | 369,8 €     | -3.207,5 € |
| 7   | 0 €                                     | -69,4 €          | -899,6 €       | 120,4 €       | -848,6 €       | -738,8 €   | -1.273,5 €     | 0 €           | -1.273,5 €     | -1.108,6 € | 369,8 €     | -2.837,7 € |
| 8   | 0 €                                     | -70,8 €          | -917,6 €       | 122,8 €       | -865,6 €       | -738,8 €   | -1.298,9 €     | 0 €           | -1.298,9 €     | -1.108,6 € | 369,8 €     | -2.468 €   |
| 9   | 0 €                                     | -72,2 €          | -935,9 €       | 125,2 €       | -882,9 €       | -738,8 €   | -1.324,9 €     | 0 €           | -1.324,9 €     | -1.108,6 € | 369,8 €     | -2.098,1 € |
| 10  | -904,5 €                                | -73,6 €          | -954,7 €       | 127,7 €       | -1.805 €       | -1.480,8 € | -1.351,4 €     | 0 €           | -1.351,4 €     | -1.108,6 € | -372,2 €    | -2.470,3 € |
| 11  | 0 €                                     | -75,1 €          | -973,7 €       | 130,3 €       | -918,5 €       | -738,8 €   | -1.378,4 €     | 0 €           | -1.378,4 €     | -1.108,6 € | 369,8 €     | -2.100,5 € |
| 12  | 0 €                                     | -76,6 €          | -993,2 €       | 132,9 €       | -936,9 €       | -738,8 €   | -1.406 €       | 0 €           | -1.406 €       | -1.108,6 € | 369,8 €     | -1.730,7 € |
| 13  | 0 €                                     | -78,1 €          | -1.013,1 €     | 135,6 €       | -955,7 €       | -738,8 €   | -1.434,1 €     | 0 €           | -1.434,1 €     | -1.108,6 € | 369,8 €     | -1.360,9 € |
| 14  | 0 €                                     | -79,7 €          | -1.033,3 €     | 138,3 €       | -974,8 €       | -738,8 €   | -1.462,8 €     | 0 €           | -1.462,8 €     | -1.108,6 € | 369,8 €     | -991 €     |
| 15  | 0 €                                     | -81,3 €          | -1.054 €       | 141 €         | -994,3 €       | -738,8 €   | -1.492,1 €     | 0 €           | -1.492,1 €     | -1.108,6 € | 369,8 €     | -621,3 €   |
| 16  | 0 €                                     | -82,9 €          | -1.075,1 €     | 143,9 €       | -1.014,2 €     | -738,8 €   | -1.521,9 €     | 0 €           | -1.521,9 €     | -1.108,6 € | 369,8 €     | -251,5 €   |
| 17  | 0 €                                     | -84,6 €          | -1.096,6 €     | 146,7 €       | -1.034,4 €     | -738,8 €   | -1.552,3 €     | 0 €           | -1.552,3 €     | -1.108,6 € | 369,8 €     | 118,3 €    |
| 18  | 0 €                                     | -86,3 €          | -1.118,5 €     | 149,7 €       | -1.055,1 €     | -738,8 €   | -1.583,4 €     | 0 €           | -1.583,4 €     | -1.108,6 € | 369,8 €     | 488,1 €    |
| 19  | 0 €                                     | -88 €            | -1.140,9 €     | 152,7 €       | -1.076,2 €     | -738,8 €   | -1.615 €       | 0 €           | -1.615 €       | -1.108,6 € | 369,8 €     | 857,9 €    |
| 20  | -1.102,6 €                              | -89,8 €          | -1.163,7 €     | 155,7 €       | -2.200,3 €     | -1.480,8 € | -1.647,3 €     | 0 €           | -1.647,3 €     | -1.108,6 € | -372,2 €    | 485,7 €    |
| 21  | 0 €                                     | -91,5 €          | -1.187 €       | 158,8 €       | -1.119,7 €     | -738,8 €   | -1.680,3 €     | 0 €           | -1.680,3 €     | -1.108,6 € | 369,8 €     | 855,5 €    |
| 22  | 0 €                                     | -93,4 €          | -1.210,7 €     | 162 €         | -1.142,1 €     | -738,8 €   | -1.713,9 €     | 0 €           | -1.713,9 €     | -1.108,6 € | 369,8 €     | 1.225,3 €  |
| 23  | 0 €                                     | -95,2 €          | -1.234,9 €     | 165,3 €       | -1.164,9 €     | -738,8 €   | -1.748,2 €     | 0 €           | -1.748,2 €     | -1.108,6 € | 369,8 €     | 1.595,1 €  |
| 24  | 0 €                                     | -97,1 €          | -1.259,6 €     | 168,6 €       | -1.188,2 €     | -738,8 €   | -1.783,1 €     | 0 €           | -1.783,1 €     | -1.108,6 € | 369,8 €     | 1.964,9 €  |
| 25  | 608,7 €                                 | -99,1 €          | -1.284,8 €     | 171,9 €       | -603,3 €       | -367,8 €   | -1.818,8 €     | 0 €           | -1.818,8 €     | -1.108,6 € | 740,8 €     | 2.705,7 €  |

VAN 25.008,1 €

PAYBACK 16 años

AHORRO 2.705,7 €

LCOE 0,21 €/kWh



## 1.4. IRRADIACIÓN PARA ANÁLISIS DE SENSIBILIDAD DE CAMBIO ÁNGULO PANELES

### 1. Instalación -10° inclinación paneles Zaragoza

**SOLAR RESOURCE**

Latitude (°) (+N, -S):  Get data from local DB  
 Longitude (°) (+E, -W):  Download hourly data  
 Locate on map for NASA Download NASA data

#1: PV panels slope (°):  ; PV panels Azimuth (°):   
 #2: PV panels slope (°):  ; PV panels Azimuth (°):   
 PV gen. #1:  % Ground Reflectance:   
 Optimal Slope#1  Optimize PV#1 panels slope during the optimization of the system

Data source  
 Monthly Average  Import from File FROM PVGIS year 2015  
 Hour (kWh/m2)  Horiz  Tilt  
 Minutes- 60 per row (tilt surf. in kW/m2)  
 Minutes- 1 per row (tilt surf. in kW/m2) Import

Data Source for Monthly Average Daily Irradiation: Radiation Horizontal Surface (kWh/m2)  
 PV Tracking System: No Tracking  
 Calculation Method for Hourly Irradiation:  
 Liu & Jordan  Erbs et al  
 Collares-Pereira & Rabl  Graham

|           | Irradiation av. horiz. s. | Irradiation av. tilt s. |
|-----------|---------------------------|-------------------------|
| January   | 1,88                      | 4,66 kWh/m2             |
| February  | 3,02                      | 5,38 kWh/m2             |
| March     | 4,32                      | 5,53 kWh/m2             |
| April     | 5,19                      | 6,52 kWh/m2             |
| May       | 5,96                      | 6,42 kWh/m2             |
| June      | 6,69                      | 6,53 kWh/m2             |
| July      | 6,76                      | 6,57 kWh/m2             |
| August    | 5,8                       | 6,67 kWh/m2             |
| September | 4,53                      | 6,15 kWh/m2             |
| October   | 3,02                      | 5,31 kWh/m2             |
| November  | 2,05                      | 4 kWh/m2                |
| December  | 1,59                      | 2,98 kWh/m2             |

Force:  cloudy consecutive days (only diffuse irradiation) in month:

SHADOWS  
 Scale factor (x by):   
 Variability minutes: correlation factor:  ; std. dev.:

Daily Average Irradiation (Horiz. Surf.): 4,22 kWh/m2  
 Total Annual Irradiation (Horiz. Surf.): 1542,29 kWh/m2  
 Daily Average Irradiation (Tilt Surf.): 5,56 kWh/m2  
 Total Annual Irradiation (Tilt Surf.): 2030,86 kWh/m2

Summer: Official hour advances:  h to solar hour  
 From day  of month  
 To day  of month

Winter: Official hour advances:  h to solar hour

OK Calculate Graph in steps of  min. Export tilted Export horiz.

## 2. Instalación +10° inclinación paneles Zaragoza

**SOLAR RESOURCE**

Latitude (°) (+N, -S):  Get data from local DB  
 Longitude (°) (+E, -W):  Download hourly data  
 Locate on map for NASA Download NASA data

#1: PV panels slope (°):  ; PV panels Azimuth (°):   
 #2: PV panels slope (°):  ; PV panels Azimuth (°):   
 PV gen. #1:  % Ground Reflectance:   
 Optimal Slope#1  Optimize PV#1 panels slope during the optimization of the system

Data source  
 Monthly Average  Import from File FROM PVGIS year 2015  
 Hour (kWh/m2)  Horiz  Tilt  
 Minutes- 60 per row (tilt surf. in kWh/m2)  
 Minutes- 1 per row (tilt surf. in kWh/m2)

Data Source for Monthly Average Daily Irradiation: Radiation Horizontal Surface (kWh/m2)  
 Calculation Method for Hourly Irradiation:  
 Liu & Jordan  Erbs et al  
 Collares-Pereira & Rabl  Graham

|           | Irradiation<br>av. horiz. s. | Irradiation<br>av. tilt s. |
|-----------|------------------------------|----------------------------|
| January   | 1,88                         | 4,66 kWh/m2                |
| Februray  | 3,02                         | 5,38 kWh/m2                |
| March     | 4,32                         | 5,53 kWh/m2                |
| April     | 5,19                         | 6,52 kWh/m2                |
| May       | 5,96                         | 6,42 kWh/m2                |
| June      | 6,69                         | 6,53 kWh/m2                |
| July      | 6,76                         | 6,57 kWh/m2                |
| August    | 5,8                          | 6,67 kWh/m2                |
| September | 4,53                         | 6,15 kWh/m2                |
| October   | 3,02                         | 5,31 kWh/m2                |
| November  | 2,05                         | 4 kWh/m2                   |
| December  | 1,59                         | 2,98 kWh/m2                |

PV Tracking System: No Tracking

Summer:  
 Official hour advances:  h to solar hour  
 From day  of month  
 To day  of month

Winter:  
 Official hour advances:  h to solar hour

Force  cloudy consecutive days (only difuse irradiation) in month

SHADOWS  
 Scale factor (x by)   
 Variability minutes: correlation factor:  ; std. dev.:

Daily Average Irradiation (Horiz. Surf.): 4,22 kWh/m2  
 Total Annual Irradiation (Horiz. Surf.): 1542,29 kWh/m2  
 Daily Average Irradiation (Tilt Surf.): 5,56 kWh/m2  
 Total Annual Irradiation (Tilt Surf.): 2030,86 kWh/m2

min.

### 3. Instalación -20° inclinación paneles Zaragoza

**SOLAR RESOURCE**

Latitude (°) (+N, -S):  Get data from local DB  
 Longitude (°) (+E, -W):  Download hourly data  
 Locate on map for NASA Download NASA data

#1: PV panels slope (°):  ; PV panels Azimuth (°):   
 #2: PV panels slope (°):  ; PV panels Azimuth (°):   
 PV gen. #1:  % Ground Reflectance:   
 Optimal Slope#1  Optimize PV#1 panels slope during the optimization of the system

Data source  
 Monthly Average  Import from File FROM PVGIS year 2015  
 Hour (kWh/m2)  Horiz  Tilt  
 Minutes- 60 per row (tilt surf. in kW/m2)  
 Minutes- 1 per row (tilt surf. in kW/m2) Import

Data Source for Monthly Average Daily Irradiation: Radiation Horizontal Surface (kWh/m2)  
 Calculation Method for Hourly Irradiation:  
 Liu & Jordan  Erbs et al  
 Collares-Pereira & Rabl  Graham

PV Tracking System:

|           | Irradiation av. horiz. s. | Irradiation av. tilt s. |
|-----------|---------------------------|-------------------------|
| January   | 1,88                      | 3,45 kWh/m2             |
| Februray  | 3,02                      | 4,36 kWh/m2             |
| March     | 4,32                      | 5,03 kWh/m2             |
| April     | 5,19                      | 6,66 kWh/m2             |
| May       | 5,96                      | 7,3 kWh/m2              |
| June      | 6,69                      | 7,72 kWh/m2             |
| July      | 6,76                      | 7,63 kWh/m2             |
| August    | 5,8                       | 7,09 kWh/m2             |
| September | 4,53                      | 5,85 kWh/m2             |
| October   | 3,02                      | 4,51 kWh/m2             |
| November  | 2,05                      | 3,07 kWh/m2             |
| December  | 1,59                      | 2,26 kWh/m2             |

Force:  cloudy consecutive days (only difuse irradiation) in month

SHADOWS  
 Scale factor (x by)

Daily Average Irradiation (Horiz. Surf.): 4,22 kWh/m2  
 Total Annual Irradiation (Horiz. Surf.): 1542,29 kWh/m2  
 Daily Average Irradiation (Tilt Surf.): 5,42 kWh/m2  
 Total Annual Irradiation (Tilt Surf.): 1978,57 kWh/m2

Variability minutes: correlation factor:  ; std. dev.:

OK Calculate Graph in steps of  min. Export tilted Export horiz.

#### 4. Instalación +20° inclinación paneles Zaragoza

**SOLAR RESOURCE**

Latitude (°) (+N, -S):  Get data from local DB  
 Longitude (°) (+E, -W):  Download hourly data  
 Locate on map for NASA Download NASA data

#1: PV panels slope (°):  ; PV panels Azimuth (°):   
 #2: PV panels slope (°):  ; PV panels Azimuth (°):   
 PV gen. #1:  % Ground Reflectance:   
 Optimal Slope#1  Optimize PV#1 panels slope during the optimization of the system

Data source  
 Monthly Average  Import from File FROM PVGIS year 2015  
 Hour (kWh/m2)  Horiz  Tilt  
 Minutes- 60 per row (tilt surf. in kWh/m2)  
 Minutes- 1 per row (tilt surf. in kWh/m2) Import

Data Source for Monthly Average Daily Irradiation: Radiation Horizontal Surface (kWh/m2)  
 Calculation Method for Hourly Irradiation:  
 Liu & Jordan  Erbs et al  
 Collares-Pereira & Rabl  Graham

PV Tracking System: No Tracking

|           | Irradiation av. horiz.            | Irradiation av. tilt s. |
|-----------|-----------------------------------|-------------------------|
| January   | <input type="text" value="1,88"/> | 4,83 kWh/m2             |
| February  | <input type="text" value="3,02"/> | 5,45 kWh/m2             |
| March     | <input type="text" value="4,32"/> | 5,43 kWh/m2             |
| April     | <input type="text" value="5,19"/> | 6,15 kWh/m2             |
| May       | <input type="text" value="5,96"/> | 5,83 kWh/m2             |
| June      | <input type="text" value="6,69"/> | 5,83 kWh/m2             |
| July      | <input type="text" value="6,76"/> | 5,92 kWh/m2             |
| August    | <input type="text" value="5,8"/>  | 6,2 kWh/m2              |
| September | <input type="text" value="4,53"/> | 5,94 kWh/m2             |
| October   | <input type="text" value="3,02"/> | 5,31 kWh/m2             |
| November  | <input type="text" value="2,05"/> | 4,11 kWh/m2             |
| December  | <input type="text" value="1,59"/> | 3,08 kWh/m2             |

Force  cloudy consecutive days (only diffuse irradiation) in month

SHADOWS  
 Scale factor (x by)

Daily Average Irradiation (Horiz. Surf.):  kWh/m2  
 Total Annual Irradiation (Horiz. Surf.):  kWh/m2  
 Daily Average Irradiation (Tilt Surf.):  kWh/m2  
 Total Annual Irradiation (Tilt Surf.):  kWh/m2

Variability minutes: correlation factor:  ; std. dev.:

OK Calculate Graph in steps of  min. Export tilted Export horiz.

### 5. Instalación -30° inclinación paneles Zaragoza

**SOLAR RESOURCE**

Latitude (°) (+N, -S):  Get data from local DB  
 Longitude (°) (+E, -W):  Download hourly data  
 Locate on map for NASA Download NASA data

#1: PV panels slope (°):  PV panels Azimuth (°):   
 #2: PV panels slope (°):  PV panels Azimuth (°):   
 PV gen. #1:  % Ground Reflectance:   
 Optimal Slope#1  Optimize PV#1 panels slope during the optimization of the system

Data source  
 Monthly Average  Import from File FROM PVGIS year 2015  
 Hour (kWh/m2)  Horiz  Tilt  
 Minutes- 60 per row (tilt surf. in kWh/m2)  
 Minutes- 1 per row (tilt surf. in kWh/m2) Import

Data Source for Monthly Average Daily Irradiation: Radiation Horizontal Surface (kWh/m2)  
 Calculation Method for Hourly Irradiation:  
 Liu & Jordan  Erbs et al  
 Collares-Pereira & Rabl  Graham

PV Tracking System: No Tracking

|           | Irradiation av. horiz. s. | Irradiation av. tilt s. |
|-----------|---------------------------|-------------------------|
| January   | 1,88                      | 2,86 kWh/m2             |
| Februray  | 3,02                      | 3,79 kWh/m2             |
| March     | 4,32                      | 4,62 kWh/m2             |
| April     | 5,19                      | 6,39 kWh/m2             |
| May       | 5,96                      | 7,27 kWh/m2             |
| June      | 6,69                      | 7,78 kWh/m2             |
| July      | 6,76                      | 7,63 kWh/m2             |
| August    | 5,8                       | 6,9 kWh/m2              |
| September | 4,53                      | 5,47 kWh/m2             |
| October   | 3,02                      | 4,01 kWh/m2             |
| November  | 2,05                      | 2,6 kWh/m2              |
| December  | 1,59                      | 1,91 kWh/m2             |

Force  cloudy consecutive days (only diffuse irradiation) in month

**SHADOWS**  
 Scale factor (x by)   
 Variability minutes: correlation factor:  std. dev.:

Daily Average Irradiation (Tilt Surf.): 5,11 kWh/m2  
 Total Annual Irradiation (Tilt Surf.): 1865,51 kWh/m2

OK Calculate Graph in steps of  min. Export tilted Export horiz.

### 6. Instalación +30° inclinación paneles Zaragoza

**SOLAR RESOURCE**

Latitude (°) (+N, -S):  Get data from local DB  
 Longitude (°) (+E, -W):  Download hourly data  
 Locate on map for NASA Download NASA data

#1: PV panels slope (°):  ; PV panels Azimuth (°):   
 #2: PV panels slope (°):  ; PV panels Azimuth (°):   
 PV gen. #1:  % Ground Reflectance:   
 Optimal Slope#1  Optimize PV#1 panels slope during the optimization of the system

Data source  
 Monthly Average  Import from File FROM PVGIS year 2015  
 Hour (kWh/m2)  Horiz  Tilt  
 Minutes- 60 per row (tilt surf. in kWh/m2)  
 Minutes- 1 per row (tilt surf. in kWh/m2) Import

Data Source for Monthly Average Daily Irradiation: Radiation Horizontal Surface (kWh/m2)  
 Calculation Method for Hourly Irradiation:  
 Liu & Jordan  Erbs et al  
 Collares-Pereira & Rabl  Graham

PV Tracking System: No Tracking

|           | Irradiation av. horiz. s. | Irradiation av. tilt s. |
|-----------|---------------------------|-------------------------|
| January   | 1,88                      | 4,86 kWh/m2             |
| Februray  | 3,02                      | 5,38 kWh/m2             |
| March     | 4,32                      | 5,18 kWh/m2             |
| April     | 5,19                      | 5,63 kWh/m2             |
| May       | 5,96                      | 5,11 kWh/m2             |
| June      | 6,69                      | 5 kWh/m2                |
| July      | 6,76                      | 5,12 kWh/m2             |
| August    | 5,8                       | 5,57 kWh/m2             |
| September | 4,53                      | 5,59 kWh/m2             |
| October   | 3,02                      | 5,18 kWh/m2             |
| November  | 2,05                      | 4,11 kWh/m2             |
| December  | 1,59                      | 3,1 kWh/m2              |

Force  cloudy consecutive days (only diffuse irradiation) in month

SHADOWS  
 Scale factor (x by)   
 Variability minutes: correlation factor:  ; std. dev.:

Daily Average Irradiation (Tilt Surf.): 4,98 kWh/m2  
 Total Annual Irradiation (Tilt Surf.): 1819,87 kWh/m2

Summer: Official hour advances:  h to solar hour  
 From day  of month   
 To day  of month

Winter: Official hour advances:  h to solar hour

OK Calculate Graph in steps of  min. Export tilted Export horiz.

### 7. Instalación -10° inclinación paneles Sevilla

**SOLAR RESOURCE**

Latitude (°) (+N, -S):  Get data from local DB  
 Longitude (°) (+E, -W):  Download hourly data  
 Locate on map for NASA Download NASA data

#1: PV panels slope (°):  ; PV panels Azimuth (°):   
 #2: PV panels slope (°):  ; PV panels Azimuth (°):   
 PV gen. #1:  % Ground Reflectance:   
 Optimal Slope#1  Optimize PV#1 panels slope during the optimization of the system

Data source  
 Monthly Average  Import from File FROM PVGIS year 2015  
 Hour (kWh/m2)  Horiz  Tilt  
 Minutes- 60 per row (tilt surf. in kWh/m2)  
 Minutes- 1 per row (tilt surf. in kWh/m2) Import

Data Source for Monthly Average Daily Irradiation: Radiation Horizontal Surface [kWh/m2]  
 PV Tracking System: No Tracking  
 Calculation Method for Hourly Irradiation:  
 Liu & Jordan  Erbs et al  
 Collares-Pereira & Rabl  Graham

|           | Irradiation<br>av. horiz. s. | Irradiation<br>av. tilt s. |
|-----------|------------------------------|----------------------------|
| January   | 1,88                         | 4,75 kWh/m2                |
| Februray  | 3,02                         | 4,75 kWh/m2                |
| March     | 4,32                         | 5,87 kWh/m2                |
| April     | 5,19                         | 6,33 kWh/m2                |
| May       | 5,96                         | 7,68 kWh/m2                |
| June      | 6,69                         | 7,46 kWh/m2                |
| July      | 6,76                         | 8,1 kWh/m2                 |
| August    | 5,8                          | 6,98 kWh/m2                |
| September | 4,53                         | 6,51 kWh/m2                |
| October   | 3,02                         | 4,4 kWh/m2                 |
| November  | 2,05                         | 4,99 kWh/m2                |
| December  | 1,59                         | 4,06 kWh/m2                |

Force  cloudy consecutive days (only diffuse irradiation) in month

SHADOWS  
 Scale factor (x by)   
 Variability minutes: correlation factor:  ; std. dev.:

Daily Average Irradiation (Tilt Surf.): 6 kWh/m2  
 Total Annual Irradiation (Tilt Surf.): 2190,52 kWh/m2

Summer:  
 Official hour advances:  
 h to solar hour  
 From day   
 of month   
 To day   
 of month

Winter:  
 Official hour advances:  
 h to solar hour

OK Calculate Graph in steps of  min. Export tilted Export horiz.

### 8. Instalación +10° inclinación paneles Sevilla

**SOLAR RESOURCE**

Latitude (°) (+N, -S):  Get data from local DB  
 Longitude (°) (+E, -W):  Download hourly data  
 Locate on map for NASA Download NASA data

#1: PV panels slope (°):  ; PV panels Azimuth (°):   
 #2: PV panels slope (°):  ; PV panels Azimuth (°):   
 PV gen. #1:  % Ground Reflectance:   
 Optimal Slope#1  Optimize PV#1 panels slope during the optimization of the system

Data source  
 Monthly Average  Import from File FROM PVGIS year 2015  
 Hour (kWh/m2)  Horiz  Tilt  
 Minutes- 60 per row (tilt surf. in kW/m2)  
 Minutes- 1 per row (tilt surf. in kW/m2) Import

Data Source for Monthly Average Daily Irradiation: Radiation Horizontal Surface (kWh/m2)  
 Calculation Method for Hourly Irradiation:  
 Liu & Jordan  Erbs et al  
 Collares-Pereira & Rabl  Graham

PV Tracking System: No Tracking

|           | Irradiation av. horiz. s. | Irradiation av. tilt s. |
|-----------|---------------------------|-------------------------|
| January   | 1,88                      | 5,69 kWh/m2             |
| Februray  | 3,02                      | 5,26 kWh/m2             |
| March     | 4,32                      | 6,09 kWh/m2             |
| April     | 5,19                      | 6,06 kWh/m2             |
| May       | 5,96                      | 6,9 kWh/m2              |
| June      | 6,69                      | 6,49 kWh/m2             |
| July      | 6,76                      | 7,11 kWh/m2             |
| August    | 5,8                       | 6,52 kWh/m2             |
| September | 4,53                      | 6,57 kWh/m2             |
| October   | 3,02                      | 4,71 kWh/m2             |
| November  | 2,05                      | 5,87 kWh/m2             |
| December  | 1,59                      | 4,88 kWh/m2             |

Force:  cloudy consecutive days (only diffuse irradiation) in month:

SHADOWS  
 Scale factor (x by)   
 Variability minutes: correlation factor:  ; std. dev.:

Summer:  
 Official hour advances:  h to solar hour  
 From day  of month   
 To day  of month

Winter:  
 Official hour advances:  h to solar hour

Daily Average Irradiation (Tilt Surf.): 6,02 kWh/m2  
 Total Annual Irradiation (Tilt Surf.): 2197,4 kWh/m2

OK Calculate Graph in steps of  min. Export tilted Export horiz.

### 9. Instalación -20° inclinación paneles Sevilla

**SOLAR RESOURCE**

Latitude (°) (+N, -S):  ; Longitude (°) (+E, -W):

Get data from local DB ; Download hourly data ; Locate on map for NASA ; Download NASA data

#1: PV panels slope (°):  ; PV panels Azimuth (°):   
 #2: PV panels slope (°):  ; PV panels Azimuth (°):

PV gen. #1:  % ; Ground Reflectance:

Optimal Slope#1 ;  Optimize PV#1 panels slope during the optimization of the system

Data source:  Monthly Average ;  Import from File FROM PVGIS year 2015

Hour (kWh/m2) ;  Horiz ;  Tilt  
 Minutes- 60 per row (tilt surf. in kW/m2)  
 Minutes- 1 per row (tilt surf. in kW/m2) ; Import

Data Source for Monthly Average Daily Irradiation: Radiation Horizontal Surface (kWh/m2) ; PV Tracking System: No Tracking

|           | Irradiation av. horiz. | Irradiation s. av. tilt s. |
|-----------|------------------------|----------------------------|
| January   | 1,88                   | 4,09 kWh/m2                |
| Februray  | 3,02                   | 4,32 kWh/m2                |
| March     | 4,32                   | 5,54 kWh/m2                |
| April     | 5,19                   | 6,25 kWh/m2                |
| May       | 5,96                   | 7,8 kWh/m2                 |
| June      | 6,69                   | 7,72 kWh/m2                |
| July      | 6,76                   | 8,32 kWh/m2                |
| August    | 5,8                    | 6,96 kWh/m2                |
| September | 4,53                   | 6,24 kWh/m2                |
| October   | 3,02                   | 4,1 kWh/m2                 |
| November  | 2,05                   | 4,35 kWh/m2                |
| December  | 1,59                   | 3,48 kWh/m2                |

Calculation Method for Hourly Irradiation:  
 Liu & Jordan ;  Erbs et al  
 Collares-Pereira & Rabl ;  Graham

Summer: Official hour advances:  h to solar hour  
 From day  of month  
 To day  of month

Winter: Official hour advances:  h to solar hour

Force:  cloudy consecutive days (only difuse irradiation) in month:

SHADOWS ; Scale factor (x by)

Variability minutes: correlation factor:  ; std. dev.:

Daily Average Irradiation (Tilt Surf.): 5,77 kWh/m2  
 Total Annual Irradiation (Tilt Surf.): 2108,69 kWh/m2

OK ; Calculate ; Graph in steps of  min. ; Export tilted ; Export horiz.

### 10. Instalación +20° inclinación paneles Sevilla

**SOLAR RESOURCE**

Latitude (°) (+N, -S):  Get data from local DB  
 Longitude (°) (+E, -W):  Download hourly data  
 Locate on map for NASA Download NASA data

#1: PV panels slope (°):  ; PV panels Azimuth (°):   
 #2: PV panels slope (°):  ; PV panels Azimuth (°):   
 PV gen. #1:  % Ground Reflectance:   
 Optimal Slope#1  Optimize PV#1 panels slope during the optimization of the system

Data source  
 Monthly Average  Import from File FROM PVGIS year 2015  
 Hour (kWh/m2)  Horiz  Tilt  
 Minutes- 60 per row (tilt surf. in kWh/m2)  
 Minutes- 1 per row (tilt surf. in kWh/m2) Import

Data Source for Monthly Average Daily Irradiation: Radiation Horizontal Surface (kWh/m2)  
 Calculation Method for Hourly Irradiation:  
 Liu & Jordan  Erbs et al  
 Collares-Pereira & Rabl  Graham

PV Tracking System: No Tracking

|           | Irradiation<br>av. horiz.         | Irradiation<br>s. av. tilt s. |
|-----------|-----------------------------------|-------------------------------|
| January   | <input type="text" value="1,88"/> | 5,93 kWh/m2                   |
| February  | <input type="text" value="3,02"/> | 5,32 kWh/m2                   |
| March     | <input type="text" value="4,32"/> | 5,97 kWh/m2                   |
| April     | <input type="text" value="5,19"/> | 5,72 kWh/m2                   |
| May       | <input type="text" value="5,96"/> | 6,28 kWh/m2                   |
| June      | <input type="text" value="6,69"/> | 5,8 kWh/m2                    |
| July      | <input type="text" value="6,76"/> | 6,36 kWh/m2                   |
| August    | <input type="text" value="5,8"/>  | 6,05 kWh/m2                   |
| September | <input type="text" value="4,53"/> | 6,35 kWh/m2                   |
| October   | <input type="text" value="3,02"/> | 4,69 kWh/m2                   |
| November  | <input type="text" value="2,05"/> | 6,07 kWh/m2                   |
| December  | <input type="text" value="1,59"/> | 5,1 kWh/m2                    |

Force  cloudy consecutive days (only diffuse irradiation) in month

SHADOWS  
 Scale factor (x by)   
 Variability minutes: correlation factor:  ; std. dev.:

Summer:  
 Official hour advances:  
 h to solar hour  
 From day   
 of month   
 To day   
 of month

Winter:  
 Official hour advances:  
 h to solar hour

Daily Average Irradiation (Tilt Surf.):  kWh/m2  
 Total Annual Irradiation (Tilt Surf.):  kWh/m2

OK Calculate Graph in steps of  min. Export tilted Export horiz.

### 11. Instalación -30° inclinación paneles Sevilla

**SOLAR RESOURCE**

Latitude (°) (+N, -S):  Get data from local DB  
 Longitude (°) (+E, -W):  Download hourly data  
 Locate on map for NASA Download NASA data

#1: PV panels slope (°):  ; PV panels Azimuth (°):   
 #2: PV panels slope (°):  ; PV panels Azimuth (°):   
 PV gen. #1:  % Ground Reflectance:   
 Optimal Slope#1  Optimize PV#1 panels slope during the optimization of the system

Data source  
 Monthly Average  Import from File FROM PVGIS year 2015  
 Hour (kWh/m2)  Horiz  Tilt  
 Minutes- 60 per row (tilt surf. in kWh/m2)  
 Minutes- 1 per row (tilt surf. in kWh/m2)

Data Source for Monthly Average Daily Irradiation:   
 Calculation Method for Hourly Irradiation:  
 Liu & Jordan  Erbs et al  
 Collares-Pereira & Rabl  Graham

PV Tracking System:

|           | Irradiation<br>av. horiz. s. | Irradiation<br>av. tilt s. |
|-----------|------------------------------|----------------------------|
| January   | 1,88                         | 3,32 kWh/m2                |
| February  | 3,02                         | 3,79 kWh/m2                |
| March     | 4,32                         | 5,09 kWh/m2                |
| April     | 5,19                         | 6,03 kWh/m2                |
| May       | 5,96                         | 7,75 kWh/m2                |
| June      | 6,69                         | 7,8 kWh/m2                 |
| July      | 6,76                         | 8,35 kWh/m2                |
| August    | 5,8                          | 6,78 kWh/m2                |
| September | 4,53                         | 5,82 kWh/m2                |
| October   | 3,02                         | 3,7 kWh/m2                 |
| November  | 2,05                         | 3,6 kWh/m2                 |
| December  | 1,59                         | 2,83 kWh/m2                |

Force  cloudy consecutive days (only diffuse irradiation) in month

**SHADOWS**  
 Scale factor (x by)   
 Variability minutes: correlation factor:  ; std. dev.:

Daily Average Irradiation (Tilt Surf.): 5,41 kWh/m2  
 Total Annual Irradiation (Tilt Surf.): 1977,87 kWh/m2

min.

### 12. Instalación +30° inclinación paneles Sevilla

**SOLAR RESOURCE**

Latitude (°) (+N, -S):  Get data from local DB  
Longitude (°) (+E, -W):  Download hourly data  
Locate on map for NASA Download NASA data

#1: PV panels slope (°):  ; PV panels Azimuth (°):   
#2: PV panels slope (°):  ; PV panels Azimuth (°):   
PV gen. #1:  % Ground Reflectance:   
 Optimal Slope#1  Optimize PV#1 panels slope during the optimization of the system

Data source  
 Monthly Average  Import from File FROM PVGIS year 2015  
 Hour (kWh/m2)  Horiz  Tilt  
 Minutes- 60 per row (tilt surf. in kWh/m2)  
 Minutes- 1 per row (tilt surf. in kWh/m2) Import

Data Source for Monthly Average Daily Irradiation: Radiation Horizontal Surface (kWh/m2)  
PV Tracking System: No Tracking  
Calculation Method for Hourly Irradiation:  
 Liu & Jordan  Erbs et al  
 Collares-Pereira & Rabl  Graham

|           | Irradiation<br>av. horiz. | Irradiation<br>s. av. tilt s. |
|-----------|---------------------------|-------------------------------|
| January   | 1,88                      | 6,01 kWh/m2                   |
| Februray  | 3,02                      | 5,24 kWh/m2                   |
| March     | 4,32                      | 5,7 kWh/m2                    |
| April     | 5,19                      | 5,24 kWh/m2                   |
| May       | 5,96                      | 5,51 kWh/m2                   |
| June      | 6,69                      | 4,97 kWh/m2                   |
| July      | 6,76                      | 5,47 kWh/m2                   |
| August    | 5,8                       | 5,44 kWh/m2                   |
| September | 4,53                      | 5,97 kWh/m2                   |
| October   | 3,02                      | 4,56 kWh/m2                   |
| November  | 2,05                      | 6,11 kWh/m2                   |
| December  | 1,59                      | 5,18 kWh/m2                   |

Force:  cloudy consecutive days (only difuse irradiation) in month:

SHADOWS  
Scale factor (x by)   
Variability minutes: correlation factor:  ; std. dev.:

Daily Average Irradiation (Tilt Surf.): 5,45 kWh/m2  
Total Annual Irradiation (Tilt Surf.): 1991,03 kWh/m2

Summer:  
Official hour advances:  h to solar hour  
From day   
of month   
To day   
of month

Winter:  
Official hour advances:  h to solar hour

OK Calculate Graph in steps of  min. Export tilted Export horiz.

### 13. Instalación -10° inclinación paneles Bilbao

**SOLAR RESOURCE**

Latitude (°) (+N, -S):  Get data from local DB  
 Longitude (°) (+E, -W):  Download hourly data  
 Locate on map for NASA Download NASA data

#1: PV panels slope (°):  ; PV panels Azimuth (°):   
 #2: PV panels slope (°):  ; PV panels Azimuth (°):   
 PV gen. #1:  % Ground Reflectance:   
 Optimal Slope#1  Optimize PV#1 panels slope during the optimization of the system

Data source  
 Monthly Average  Import from File FROM PVGIS year 2015  
 Hour (kWh/m2)  Horiz  Tilt  
 Minutes- 60 per row (tilt surf. in kWh/m2)  
 Minutes- 1 per row (tilt surf. in kWh/m2) Import

Data Source for Monthly Average Daily Irradiation: Radiation Horizontal Surface (kWh/m2)  
 Calculation Method for Hourly Irradiation:  
 Liu & Jordan  Erbs et al  
 Collares-Pereira & Rabl  Graham

PV Tracking System: No Tracking

|           | Irradiation av. horiz. s. | Irradiation av. tilt s. |
|-----------|---------------------------|-------------------------|
| January   | 1,88                      | 2,34 kWh/m2             |
| Februray  | 3,02                      | 1,79 kWh/m2             |
| March     | 4,32                      | 3,17 kWh/m2             |
| April     | 5,19                      | 5,01 kWh/m2             |
| May       | 5,96                      | 4,43 kWh/m2             |
| June      | 6,69                      | 5,41 kWh/m2             |
| July      | 6,76                      | 5,13 kWh/m2             |
| August    | 5,8                       | 5,56 kWh/m2             |
| September | 4,53                      | 4,38 kWh/m2             |
| October   | 3,02                      | 3,47 kWh/m2             |
| November  | 2,05                      | 2,87 kWh/m2             |
| December  | 1,59                      | 3,06 kWh/m2             |

Force  cloudy consecutive days (only difuse irradiation) in month

SHADOWS  
 Scale factor (x by)   
 Variability minutes: correlation factor:  ; std. dev.:

Daily Average Irradiation (Tilt Surf.): 3,9 kWh/m2  
 Total Annual Irradiation (Tilt Surf.): 1424,22 kWh/m2

Summer:  
 Official hour advances:  h to solar hour  
 From day  of month   
 To day  of month

Winter:  
 Official hour advances:  h to solar hour

OK Calculate Graph in steps of  min. Export tilted Export horiz.

### 14. Instalación +10° inclinación paneles Bilbao

**SOLAR RESOURCE**

Latitude (°) (+N, -S):  Get data from local DB  
 Longitude (°) (+E, -W):  Download hourly data  
 Locate on map for NASA Download NASA data

#1: PV panels slope (°):  ; PV panels Azimuth (°):   
 #2: PV panels slope (°):  ; PV panels Azimuth (°):   
 PV gen. #1:  % Ground Reflectance:   
 Optimal Slope#1  Optimize PV#1 panels slope during the optimization of the system

Data source  
 Monthly Average  Import from File FROM PVGIS year 2015  
 Hour (kWh/m2)  Horiz  Tilt  
 Minutes- 60 per row (tilt surf. in kWh/m2)  
 Minutes- 1 per row (tilt surf. in kWh/m2) Import

Data Source for Monthly Average Daily Irradiation: Radiation Horizontal Surface (kWh/m2)  
 Calculation Method for Hourly Irradiation:  
 Liu & Jordan  Erbs et al  
 Collares-Pereira & Rabl  Graham

PV Tracking System: No Tracking

|           | Irradiation av. horiz. s. | Irradiation av. tilt s. |
|-----------|---------------------------|-------------------------|
| January   | 1,88                      | 2,74 kWh/m2             |
| Februray  | 3,02                      | 1,9 kWh/m2              |
| March     | 4,32                      | 3,27 kWh/m2             |
| April     | 5,19                      | 4,86 kWh/m2             |
| May       | 5,96                      | 4,07 kWh/m2             |
| June      | 6,69                      | 4,84 kWh/m2             |
| July      | 6,76                      | 4,65 kWh/m2             |
| August    | 5,8                       | 5,27 kWh/m2             |
| September | 4,53                      | 4,42 kWh/m2             |
| October   | 3,02                      | 3,76 kWh/m2             |
| November  | 2,05                      | 3,33 kWh/m2             |
| December  | 1,59                      | 3,73 kWh/m2             |

Force  cloudy consecutive days (only difuse irradiation) in month

SHADOWS  
 Scale factor (x by)   
 Variability minutes: correlation factor:  ; std. dev.:

Daily Average Irradiation (Tilt Surf.): 3,91 kWh/m2  
 Total Annual Irradiation (Tilt Surf.): 1430,46 kWh/m2

Summer:  
 Official hour advances:  h to solar hour  
 From day  of month   
 To day  of month

Winter:  
 Official hour advances:  h to solar hour

OK Calculate Graph in steps of  min. Export tilted Export horiz.

**15. Instalación -20° inclinación paneles Bilbao**

**SOLAR RESOURCE**

Latitude (°) (+N, -S):  Get data from local DB  
 Longitude (°) (+E, -W):  Download hourly data  
 Locate on map for NASA Download NASA data

#1: PV panels slope (°):  PV panels Azimuth (°):   
 #2: PV panels slope (°):  PV panels Azimuth (°):   
 PV gen. #1:  % Ground Reflectance:   
 Optimal Slope#1  Optimize PV#1 panels slope during the optimization of the system

Data source  
 Monthly Average  Import from File FROM PVGIS year 2015  
 Hour (kWh/m2)  Horiz  Tilt  
 Minutes- 60 per row (tilt surf. in kWh/m2)  
 Minutes- 1 per row (tilt surf. in kWh/m2) Import

Data Source for Monthly Average Daily Irradiation: Radiation Horizontal Surface (kWh/m2)  
 PV Tracking System: No Tracking

|           | Irradiation<br>av. horiz. s. | Irradiation<br>av. tilt s. |
|-----------|------------------------------|----------------------------|
| January   | 1,88                         | 2,06 kWh/m2                |
| February  | 3,02                         | 1,68 kWh/m2                |
| March     | 4,32                         | 3,01 kWh/m2                |
| April     | 5,19                         | 4,93 kWh/m2                |
| May       | 5,96                         | 4,49 kWh/m2                |
| June      | 6,69                         | 5,53 kWh/m2                |
| July      | 6,76                         | 5,22 kWh/m2                |
| August    | 5,8                          | 5,53 kWh/m2                |
| September | 4,53                         | 4,21 kWh/m2                |
| October   | 3,02                         | 3,21 kWh/m2                |
| November  | 2,05                         | 2,52 kWh/m2                |
| December  | 1,59                         | 2,6 kWh/m2                 |

Calculation Method for Hourly Irradiation:  
 Liu & Jordan  Erbs et al  
 Collares-Pereira & Rabl  Graham

**Summer:**  
 Official hour advances:  
 h to solar hour  
 From day   
 of month   
 To day   
 of month

**Winter:**  
 Official hour advances:  
 h to solar hour

Force  cloudy consecutive days (only diffuse irradiation) in month

SHADOWS  
 Scale factor (x by)   
 Variability minutes: correlation factor:  std. dev.:

Daily Average Irradiation (Tilt Surf.): 3,76 kWh/m2  
 Total Annual Irradiation (Tilt Surf.): 1374,5 kWh/m2

OK Calculate Graph in steps of  min. Export tilted Export horiz.

**16. Instalación +20° inclinación paneles Bilbao**

**SOLAR RESOURCE**

Latitude (°) (+N, -S):  Get data from local DB  
 Longitude (°) (+E, -W):  Download hourly data  
 Locate on map for NASA Download NASA data

#1: PV panels slope (°):  ; PV panels Azimuth (°):   
 #2: PV panels slope (°):  ; PV panels Azimuth (°):   
 PV gen. #1:  % Ground Reflectance:   
 Optimal Slope#1  Optimize PV#1 panels slope during the optimization of the system

Data source  
 Monthly Average  Import from File FROM PVGIS year 2015  
 Hour (kWh/m2)  Horiz  Tilt  
 Minutes- 60 per row (tilt surf. in kWh/m2)  
 Minutes- 1 per row (tilt surf. in kWh/m2) Import

Data Source for Monthly Average Daily Irradiation: Radiation Horizontal Surface (kWh/m2)  
 Calculation Method for Hourly Irradiation:  
 Liu & Jordan  Erbs et al  
 Collares-Pereira & Rabl  Graham

PV Tracking System: No Tracking

|           | Irradiation av. horiz. s. | Irradiation av. tilt s. |
|-----------|---------------------------|-------------------------|
| January   | 1,88                      | 2,83 kWh/m2             |
| Februray  | 3,02                      | 1,9 kWh/m2              |
| March     | 4,32                      | 3,22 kWh/m2             |
| April     | 5,19                      | 4,63 kWh/m2             |
| May       | 5,96                      | 3,77 kWh/m2             |
| June      | 6,69                      | 4,42 kWh/m2             |
| July      | 6,76                      | 4,27 kWh/m2             |
| August    | 5,8                       | 4,95 kWh/m2             |
| September | 4,53                      | 4,29 kWh/m2             |
| October   | 3,02                      | 3,77 kWh/m2             |
| November  | 2,05                      | 3,44 kWh/m2             |
| December  | 1,59                      | 3,92 kWh/m2             |

Force:  cloudy consecutive days (only diffuse irradiation) in month

SHADOWS  
 Scale factor (x by)   
 Variability minutes: correlation factor:  ; std. dev.:

Summer:  
 Official hour advances:  h to solar hour  
 From day  of month   
 To day  of month

Winter:  
 Official hour advances:  h to solar hour

Daily Average Irradiation (Tilt Surf.): 3,79 kWh/m2  
 Total Annual Irradiation (Tilt Surf.): 1386,9 kWh/m2

OK Calculate Graph in steps of  min. Export tilted Export horiz.

**17. Instalación -30° inclinación paneles Bilbao**

**SOLAR RESOURCE**

Latitude (°) (+N, -S):  Get data from local DB  
 Longitude (°) (+E, -W):  Download hourly data  
 Locate on map for NASA Download NASA data

#1: PV panels slope (°):  ; PV panels Azimuth (°):   
 #2: PV panels slope (°):  ; PV panels Azimuth (°):   
 PV gen. #1:  % Ground Reflectance:   
 Optimal Slope#1  Optimize PV#1 panels slope during the optimization of the system

Data source  
 Monthly Average  Import from File FROM PVGIS year 2015  
 Hour (kWh/m2)  Horiz  Tilt  
 Minutes- 60 per row (tilt surf. in kWh/m2)  
 Minutes- 1 per row (tilt surf. in kWh/m2) Import

Data Source for Monthly Average Daily Irradiation: Radiation Horizontal Surface (kWh/m2)  
 PV Tracking System: No Tracking  
 Calculation Method for Hourly Irradiation:  
 Liu & Jordan  Erbs et al  
 Collares-Pereira & Rabl  Graham

|           | Irradiation<br>av. horiz.         | Irradiation<br>av. tilt s. |
|-----------|-----------------------------------|----------------------------|
| January   | <input type="text" value="1,88"/> | 1,73 kWh/m2                |
| Februray  | <input type="text" value="3,02"/> | 1,54 kWh/m2                |
| March     | <input type="text" value="4,32"/> | 2,79 kWh/m2                |
| April     | <input type="text" value="5,19"/> | 4,74 kWh/m2                |
| May       | <input type="text" value="5,96"/> | 4,46 kWh/m2                |
| June      | <input type="text" value="6,69"/> | 5,54 kWh/m2                |
| July      | <input type="text" value="6,76"/> | 5,2 kWh/m2                 |
| August    | <input type="text" value="5,8"/>  | 5,38 kWh/m2                |
| September | <input type="text" value="4,53"/> | 3,96 kWh/m2                |
| October   | <input type="text" value="3,02"/> | 2,87 kWh/m2                |
| November  | <input type="text" value="2,05"/> | 2,12 kWh/m2                |
| December  | <input type="text" value="1,59"/> | 2,09 kWh/m2                |

Force  cloudy consecutive days (only diffuse irradiation) in month

SHADOWS  
 Scale factor (x by)   
 Variability minutes: correlation factor:  ; std. dev.:

Daily Average Irradiation (Tilt Surf.):  kWh/m2  
 Total Annual Irradiation (Tilt Surf.):  kWh/m2

OK Calculate Graph in steps of  min. Export tilted Export horiz.

### 18. Instalación +30° inclinación paneles Bilbao

**SOLAR RESOURCE**

Latitude (°) (+N, -S):  Get data from local DB  
 Longitude (°) (+E, -W):  Download hourly data  
 Locate on map for NASA Download NASA data

#1: PV panels slope (°):  PV panels Azimuth (°):   
 #2: PV panels slope (°):  PV panels Azimuth (°):   
 PV gen. #1:  % Ground Reflectance:   
 Optimal Slope#1  Optimize PV#1 panels slope during the optimization of the system

Data source  
 Monthly Average  Import from File FROM PVGIS year 2015  
 Hour (kWh/m2)  Horiz  Tilt  
 Minutes- 60 per row (tilt surf. in kWh/m2)  
 Minutes- 1 per row (tilt surf. in kWh/m2) Import

Data Source for Monthly Average Daily Irradiation: Radiation Horizontal Surface (kWh/m2)  
 Calculation Method for Hourly Irradiation:  
 Liu & Jordan  Erbs et al  
 Collares-Pereira & Rabl  Graham

PV Tracking System: No Tracking

|           | Irradiation<br>av. horiz. s. | Irradiation<br>av. tilt s. |
|-----------|------------------------------|----------------------------|
| January   | 1,88                         | 2,86 kWh/m2                |
| Februray  | 3,02                         | 1,85 kWh/m2                |
| March     | 4,32                         | 3,09 kWh/m2                |
| April     | 5,19                         | 4,3 kWh/m2                 |
| May       | 5,96                         | 3,4 kWh/m2                 |
| June      | 6,69                         | 3,91 kWh/m2                |
| July      | 6,76                         | 3,8 kWh/m2                 |
| August    | 5,8                          | 4,52 kWh/m2                |
| September | 4,53                         | 4,07 kWh/m2                |
| October   | 3,02                         | 3,69 kWh/m2                |
| November  | 2,05                         | 3,46 kWh/m2                |
| December  | 1,59                         | 4 kWh/m2                   |

Force:  cloudy consecutive days (only diffuse irradiation) in month

SHADOWS  
 Scale factor (x by)   
 Variability minutes: correlation factor:  std. dev.:

Daily Average Irradiation (Tilt Surf.): 3,59 kWh/m2  
 Total Annual Irradiation (Tilt Surf.): 1312,15 kWh/m2

Summer:  
 Official hour advances:  h to solar hour  
 From day  of month   
 To day  of month

Winter:  
 Official hour advances:  h to solar hour

OK Calculate Graph in steps of  min. Export tilted Export horiz.